

SET-UP SHEET

XRAY T4'14

RACE	DHI Cup 2014		
TRACK	Stadium Arena Fyn		
NAME	Anonymous		
CITY / COUNTRY	Odense	Denmark	
CONTACT	adrian@lurifax.no		

DATE	13/01/2014	TEMPERATURE / °F or °C	AIR	TRACK
------	------------	------------------------	-----	-------

QUALIFYING POSITION	BEST LAPTIME /sec	FINAL POSITION	RACE LENGTH /minutes
3	11,9	6	5

TRACK CONDITION	<input checked="" type="checkbox"/> CARPET	<input type="checkbox"/> ASPHALT	
<input type="checkbox"/> TECHNICAL	<input checked="" type="checkbox"/> MIXED	<input type="checkbox"/> FAST	
TRACTION	<input type="checkbox"/> LOW	<input checked="" type="checkbox"/> MEDIUM	<input type="checkbox"/> HIGH

FRONT	REAR
TRANSMISSION	

SOLID AXLE	<input checked="" type="checkbox"/> YES	BALL DIFFERENTIAL	<input type="checkbox"/> YES
SOLID ONE WAY DIFF.	<input type="checkbox"/> YES		
ONE WAY DIFFERENTIAL	<input type="checkbox"/> YES		

GEAR DIFFERENTIAL	<input type="checkbox"/> YES	GEAR DIFFERENTIAL	<input checked="" type="checkbox"/> YES
OIL		OIL	3000 /Cst

PINION / T	27	SPUR GEAR / T	111
FINAL DRIVE RATIO	4.111111111111111	ROLLOUT	NaN

FRONT	REAR
-------	------

2,5	XRAY SPRINGS	2,5
-----	--------------	-----

350	OIL / CST	400
-----	-----------	-----

	LENGTH /mm	
--	------------	--

0	PRELOAD /mm	
---	-------------	--

<input type="checkbox"/> YES	<input checked="" type="checkbox"/> NO	FOAM INSERTS	<input type="checkbox"/> YES	<input checked="" type="checkbox"/> NO
------------------------------	--	--------------	------------------------------	--

<input type="checkbox"/> YES	<input checked="" type="checkbox"/> NO	O-RING ON SHAFT	<input type="checkbox"/> YES	<input checked="" type="checkbox"/> NO
------------------------------	--	-----------------	------------------------------	--

<input type="checkbox"/> 3 HOLES	<input checked="" type="checkbox"/> 4 HOLES	PISTONS	<input type="checkbox"/> 3 HOLES	<input checked="" type="checkbox"/> 4 HOLES
		1.0mm		
		1.1mm		
		1.2mm		
		OTHERS		

1,4	THICKNESS/mm	ANTI-ROLL BAR	THICKNESS/mm	1,2
-----	--------------	---------------	--------------	-----

LRP CPX	TIRES	LRP CPX
---------	-------	---------

Mighty V3	INSERTS	Mighty V3
-----------	---------	-----------

15	ADDITIVE TIMING	15
----	-----------------	----



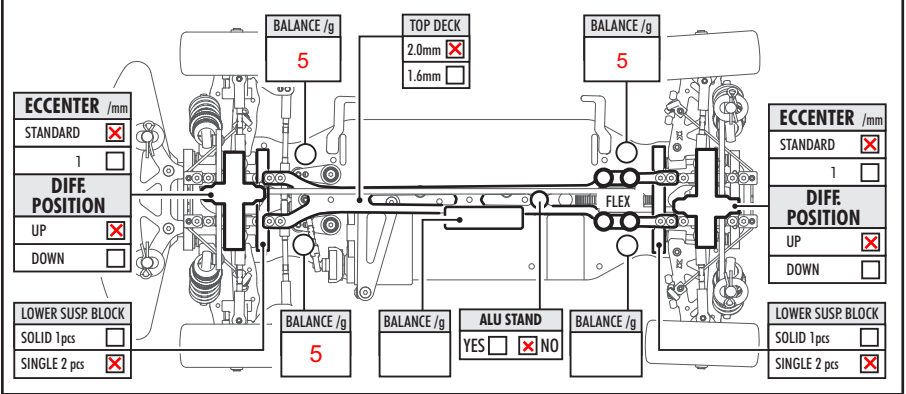
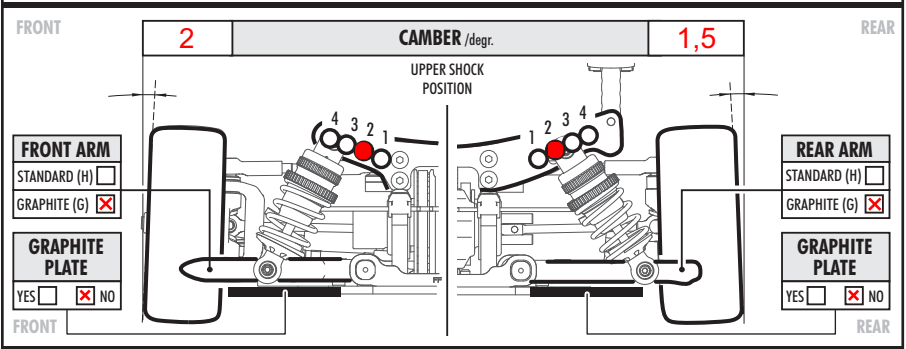
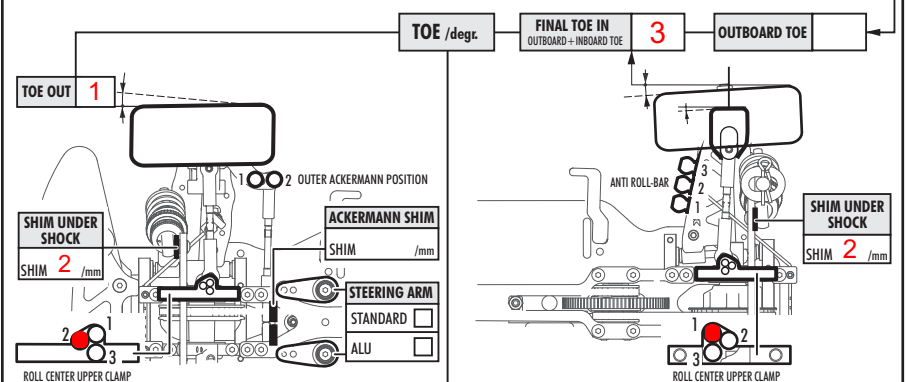
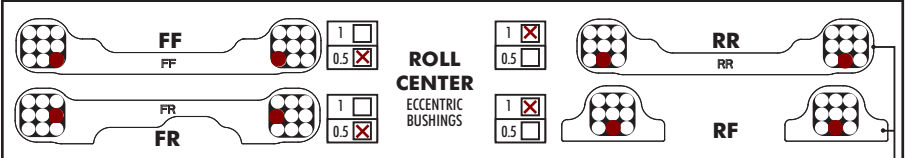
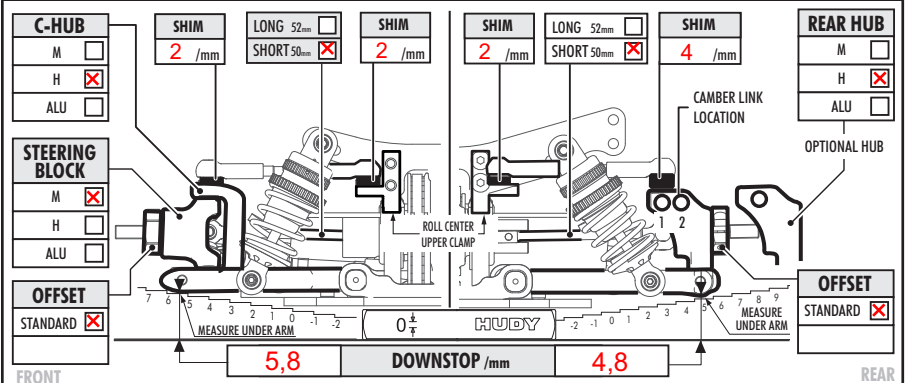
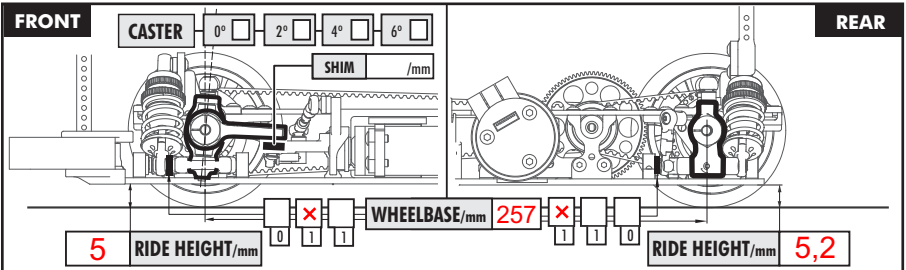
WHEELS		HARDNESS	
<input type="checkbox"/> S	<input type="checkbox"/> M	<input type="checkbox"/> H	<input type="checkbox"/>

MOTOR	Fleta 5 t	TIMING	STD
ROTOR	Std	ARMATURE	

ESC	Fleta Pro	BATTERIES	Much More
-----	-----------	-----------	-----------

BODY	PF SP6 LW	WING	MR 33
------	-----------	------	-------

● - APPLIED S-SOFT M-MEDIUM H-HARD



COMMENTS
ECS Front Driveshafts