

# SET-UP SHEET

X4F'25 SET-UP SHEET VER.1 ©XRAY

# XRAY X4F'25

RACE

TRACK

NAME  DATE

TRACK TEMP.	QUAL POS.	FINAL POS.	BEST LAP TIME	LAPS	TIME
<input type="text"/>	<input type="text"/>	<input type="text"/>	<input type="text"/> /sec	<input type="text"/>	<input type="text"/>

**TRACK**

TRACK SURFACE  CARPET  ASPHALT

TRACK LAYOUT  TECHNICAL  MIXED  FAST

TRACTION  LOW  MEDIUM  HIGH

**FRONT TRANSMISSION REAR**

GEAR DIFFERENTIAL - OIL  /cst

PINION / T  SPUR GEAR / T  FINAL DRIVE RATIO

**FRONT SHOCKS REAR**

XRAY SPRINGS

OIL /cst

REBOUND %

4 HOLES  1.1mm  1.1mm  4 HOLES

PSS  1.2mm  1.2mm  PSS

SHOCK LENGTH  /mm  /mm SHOCK LENGTH

THICKNESS/mm **ANTI-ROLL BAR** THICKNESS/mm

TIRES

ADDITIVE

ADDITIVE TIMING

WIPE OFF TIME

TIRE WARMERS

Timing:  Temp.:

FRONT LEFT  FRONT RIGHT  REAR LEFT  REAR RIGHT

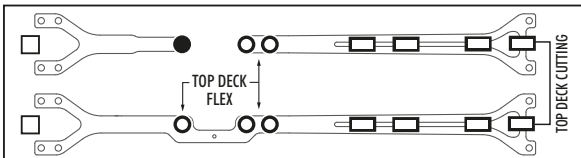
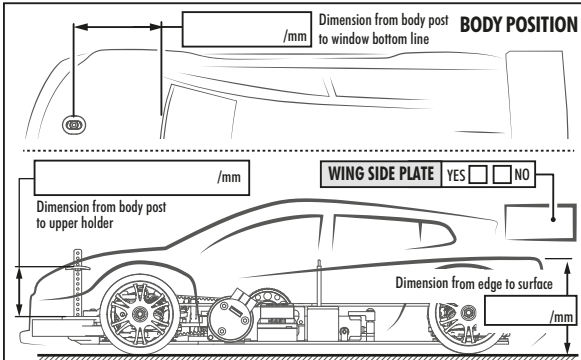
TREATED AREA

TOTAL WEIGHT  /g WEIGHT BALANCE FRONT  % REAR  %

MOTOR  TIMING  RPM LIMIT

ESC  BATTERIES

BODY  WING



COMMENTS

