

RACE	Speed King Tour Rd4			
TRACK	RC Stadium Sodegaura			
NAME	AKIHIRO ONODA		DATE	2024/8/4
QUAL POSITION	FINAL POSITION	BEST LAPTIME	LAPS	TIME
1	1	/sec	/	/

TRACK				
TRACK SURFACE	<input type="checkbox"/> CARPET	<input checked="" type="checkbox"/> ASPHALT		
TRACK LAYOUT	<input type="checkbox"/> TECHNICAL	<input checked="" type="checkbox"/> MIXED	<input type="checkbox"/> FAST	
TRACTION	<input checked="" type="checkbox"/> LOW	<input type="checkbox"/> MEDIUM	<input type="checkbox"/> HIGH	

FRONT		TRANSMISSION		REAR	
GEAR DIFF OIL	/cSt	<input checked="" type="checkbox"/> FRONT SOLID AXLE	GEAR DIFF OIL	5000	/cSt
PINION	34 /T	SPUR GEAR	99 /T	FINAL DRIVE RATIO	5.5

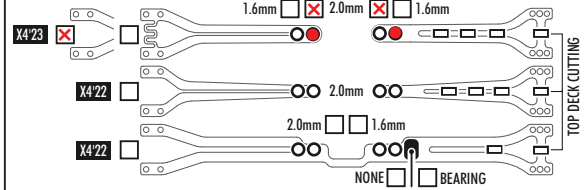
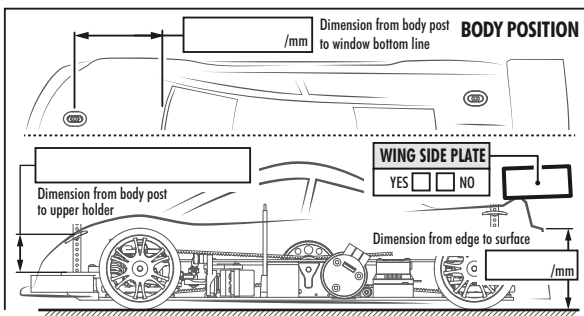
FRONT		SHOCKS		REAR	
2.4-2.7		XRAY SPRINGS		2.7	
400		OIL /cSt		400	
20		REBOUND %		20	
<input type="checkbox"/> YES <input checked="" type="checkbox"/> NO	FOAM INSERTS		<input type="checkbox"/> YES <input checked="" type="checkbox"/> NO		
<input type="checkbox"/> 4 HOLES	1.1mm	1.1mm	<input checked="" type="checkbox"/> 4 HOLES	<input checked="" type="checkbox"/>	
<input checked="" type="checkbox"/> PSS	1.2mm	1.2mm	<input type="checkbox"/> PSS	<input type="checkbox"/>	
0.8x2					
SHOCK LENGTH	8.0 /mm	8.5 /mm	SHOCK LENGTH		

1.2	THICKNESS/mm	ANTI-ROLL BAR	THICKNESS/mm	1.2
-----	--------------	---------------	--------------	-----

RUSH32X		TIRES		RUSH32X	
		ADDITIVE			
		ADDITIVE TIMING			
		WIPE OFF TIME			
Timing:	Temp.:	TIRE WARMERS		Timing:	Temp.:
FRONT LEFT	FRONT RIGHT	REAR LEFT	REAR RIGHT	TREATED AREA	

TOTAL WEIGHT	/g	WEIGHT BALANCE	FRONT %	REAR %
--------------	----	----------------	---------	--------

MOTOR	G4R 17.5 St12.3	TIMING	
ESC		BATTERIES	
BODY	ツイスター-SP	WING	



**COMMENTS**

- RCMAKER SLIMFLEX SHASSIS使用
- リヤTOE GAINはバルク側にも1mmシム追加
- フロントアッパーアームは逆スキッド (シムF0.5R3.5mm)

