

# SET-UP SHEET

<b>RACE</b>	IIC 2013	
<b>TRACK</b>	Riviera ballroom	

<b>NAME</b>	Alexander Hagberg	
<b>CITY / COUNTRY</b>	Las Vegas, NV	USA
<b>CONTACT</b>	alexander.hagberg@gmail.com	

<b>DATE</b>	04/11/2013	
-------------	------------	--

<b>TEMPERATURE</b> / °F or °C	AIR	TRACK
-------------------------------	-----	-------

<b>QUALIFYING POSITION</b>	<b>BEST LAP TIME</b> / sec	<b>FINAL POSITION</b>	<b>RACE LENGTH</b> / minutes
2	8.2	2	8

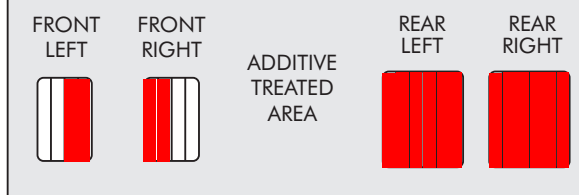
<b>TRACK CONDITION</b>	<input checked="" type="checkbox"/> CARPET	<input type="checkbox"/> ASPHALT
	<input type="checkbox"/> TECHNICAL	<input checked="" type="checkbox"/> MIXED
		<input type="checkbox"/> FAST

<b>TRACTION</b>		
<input type="checkbox"/> LOW	<input type="checkbox"/> MEDIUM	<input checked="" type="checkbox"/> HIGH

<b>CENTER SHOCK ABSORBER</b>		
<b>SPRING</b>	Black	<b>OIL / cSt</b> 550
		<b>REBOUND %</b> 50

<b>SIDE LINKAGES</b>	
<b>OIL / cSt</b>	15.000

FRONT		TIRES	REAR	
GRC Soft			GRC Soft	
40.5		DIAMETER/mm	42	
Jack		ADDITIVE	Jack	
10		ADDITIVE timing	20	



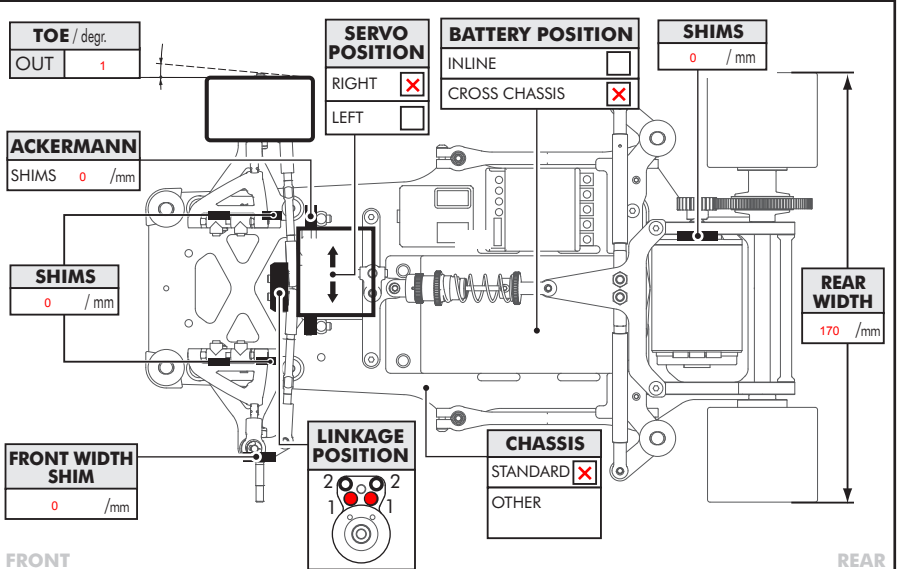
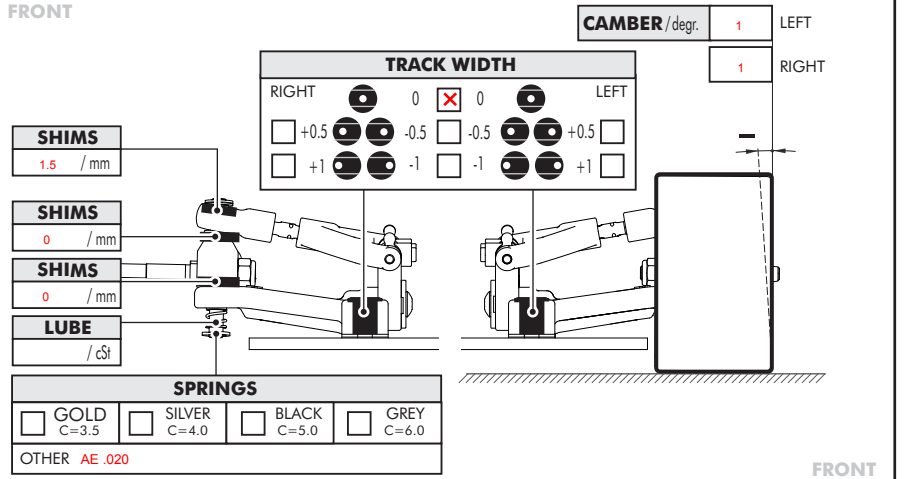
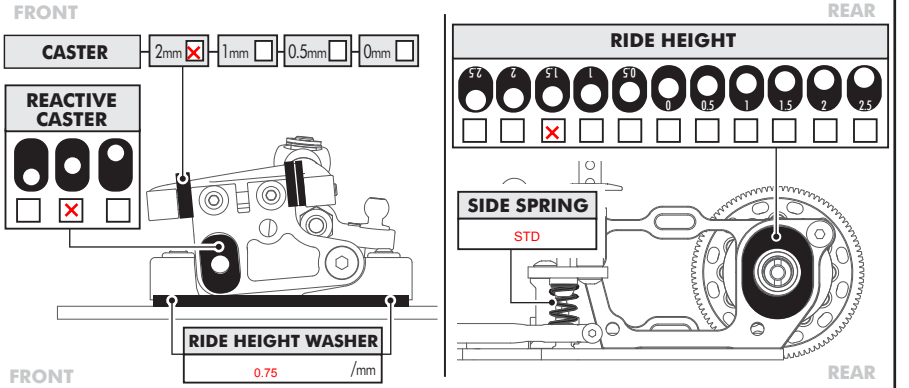
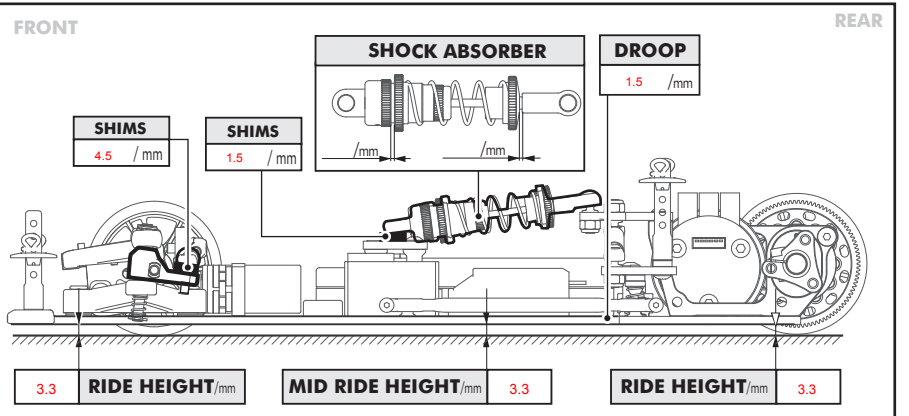
<b>TRANSMISSION</b>	
<b>DIFF SETTING</b>	
<input type="checkbox"/> LOOSE	<input type="checkbox"/> MEDIUM
<input type="checkbox"/> TIGHT	<input checked="" type="checkbox"/>

<b>PINION / T</b>	27	<b>SPUR GEAR/T</b>	96
<b>FINAL DRIVE RATIO</b>	3.555555555555556	<b>ROLLOUT</b>	37.09125

<b>MOTOR</b>	
<b>BRAND</b>	ORCA RX
<b>TURN</b>	4.0T
<b>ROTOR</b>	12.5
<b>TIMING</b>	+1

<b>ESC</b>	ORCA VX1		
<b>ESC SETTING</b>	PROGRAM	<input type="checkbox"/>	PUNCH
	INITIAL BRAKE	<input type="checkbox"/>	AUTO BRAKE
			8
			4%

<b>BATTERIES</b>	ORCA INFINITE 6500
<b>BODY</b>	AMR-12 Protoform



COMMENTS  
 1 hole glued in shock piston  
 0.5mm of droop in front suspension