

SET-UP SHEET

XRAY X12'15

RACE	brca rd 1	
TRACK	west kent	

NAME	Olly Jefferies	
CITY / COUNTRY	uk	UK
CONTACT		

DATE	06/11/2014	
TEMPERATURE / °F or °C	AIR 20	TRACK

QUALIFYING POSITION	BEST LAPTIME / sec	FINAL POSITION	RACE LENGTH / minutes
1	11.0	1	8

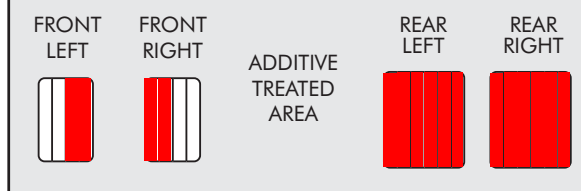
TRACK CONDITION	<input checked="" type="checkbox"/> CARPET	<input type="checkbox"/> ASPHALT
	<input type="checkbox"/> TECHNICAL	<input type="checkbox"/> FAST
	<input checked="" type="checkbox"/> MIXED	

TRACTION	<input type="checkbox"/> LOW	<input type="checkbox"/> MEDIUM	<input checked="" type="checkbox"/> HIGH
-----------------	------------------------------	---------------------------------	--

CENTER SHOCK ABSORBER		
SPRING	silver	OIL / cSt 550
		REBOUND% 0

SIDE LINKAGES	<input checked="" type="checkbox"/>	OIL / cSt 6k
SIDE SHOCK	<input type="checkbox"/>	OIL / cSt

FRONT		TIRES	REAR	
magenta crc			pink crc	
41.5	DIAMETER/mm		43	
spider green	ADDITIVE		spider green	
5min	ADDITIVE timing		25 mins	

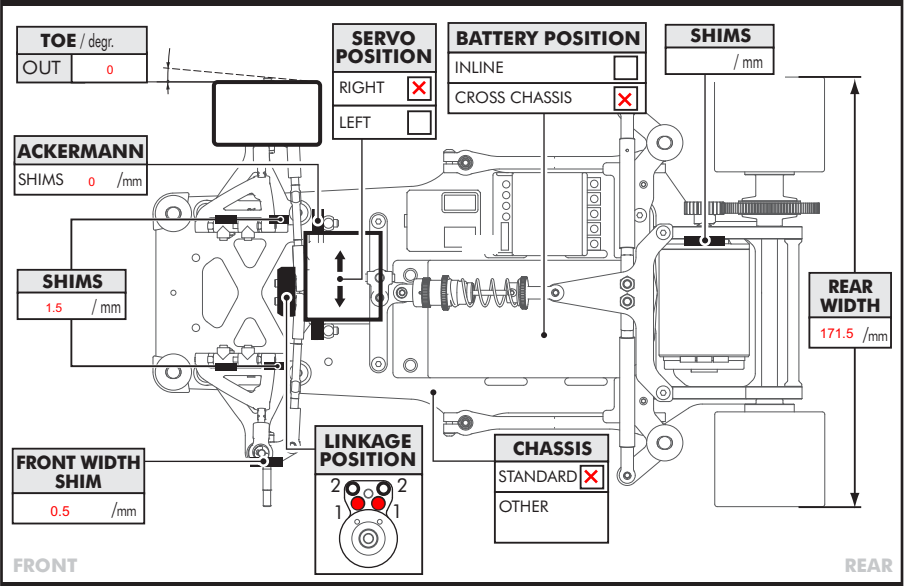
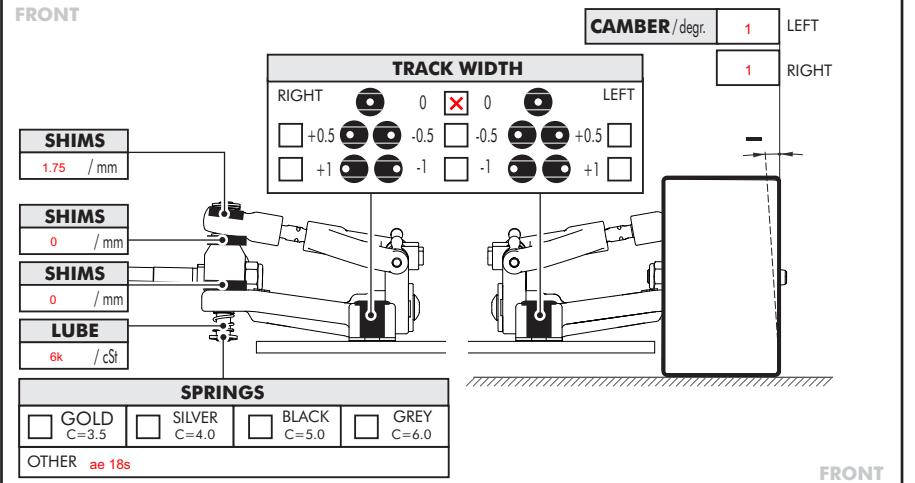
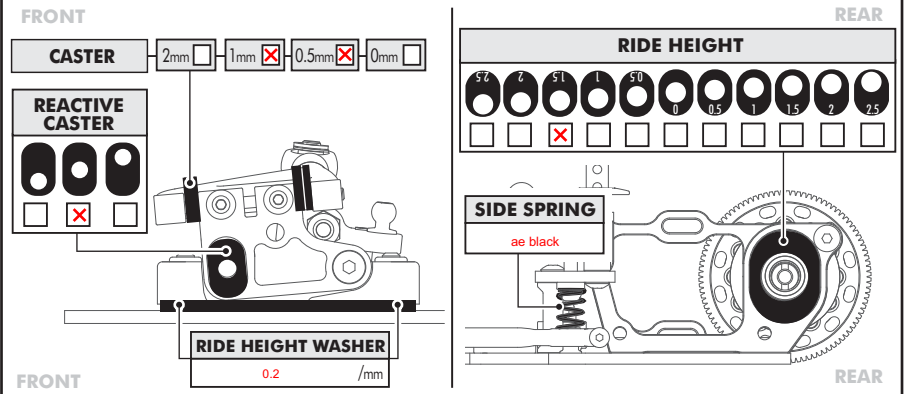
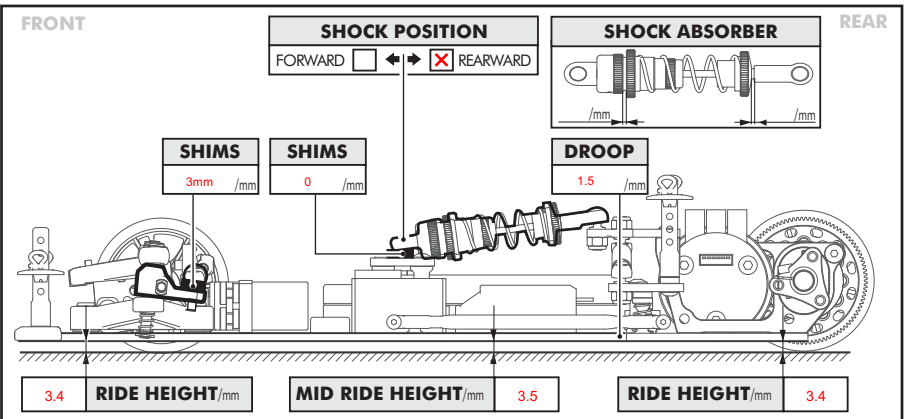


TRANSMISSION	
DIFF SETTING	
<input type="checkbox"/> LOOSE	<input checked="" type="checkbox"/> MEDIUM
<input type="checkbox"/> TIGHT	

PINION / T	26	SPUR GEAR/T	88
FINAL DRIVE RATIO	3.3846	ROLLOUT	39.892

ELECTRONICS	
MOTOR	reedy mach 2 3.5
SPEEDO	lrp flow
BATTERIES	reedy

BODY	pf amr lightweight
-------------	--------------------



COMMENTS Zen front brace fitted.
glued front sidewall
3mm shim at back of shock on pod.
graphite axle used