

# SET-UP SHEET

# XRAY X12'15

<b>RACE</b>	Club Race 13.5	
<b>TRACK</b>	5280 Raceway	

<b>NAME</b>	Max Kuenning	
<b>CITY / COUNTRY</b>	Denver, CO	USA
<b>CONTACT</b>	max.fx77@gmail.com	

<b>DATE</b>	28/09/2015	
<b>TEMPERATURE</b> / <small>F or °C</small>	AIR 80	TRACK

<b>QUALIFYING POSITION</b>	<b>BEST LAPTIME</b> / sec	<b>FINAL POSITION</b>	<b>RACE LENGTH</b> / minutes
	8.9		

<b>TRACK CONDITION</b>	<input checked="" type="checkbox"/> CARPET	<input type="checkbox"/> ASPHALT
	<input checked="" type="checkbox"/> TECHNICAL	<input type="checkbox"/> MIXED
<b>TRACTION</b>	<input type="checkbox"/> LOW	<input checked="" type="checkbox"/> MEDIUM
	<input type="checkbox"/> FAST	<input type="checkbox"/> HIGH

<b>CENTER SHOCK ABSORBER</b>		
<b>SPRING</b>	black	<b>OIL / cSt</b> 550
		<b>REBOUND%</b> 0

<b>SIDE LINKAGES</b>	<input checked="" type="checkbox"/>	<b>OIL / cSt</b> 20000
<b>SIDE SHOCK</b>	<input type="checkbox"/>	<b>OIL / cSt</b>

FRONT		REAR
<b>JH</b>	<b>TIRES</b>	<b>XM</b>
40	DIAMETER/mm	41
SXT	ADDITIVE	SXT
15min	ADDITIVE timing	15min

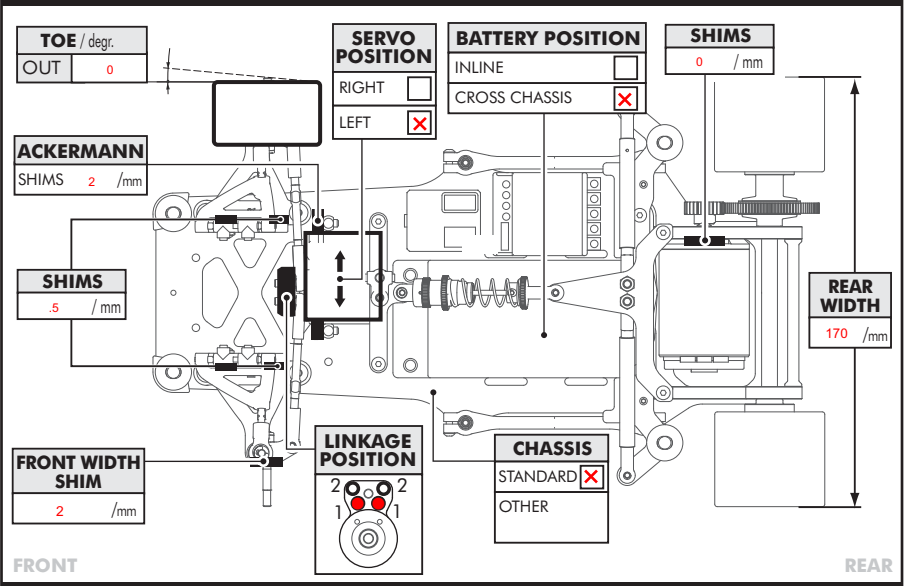
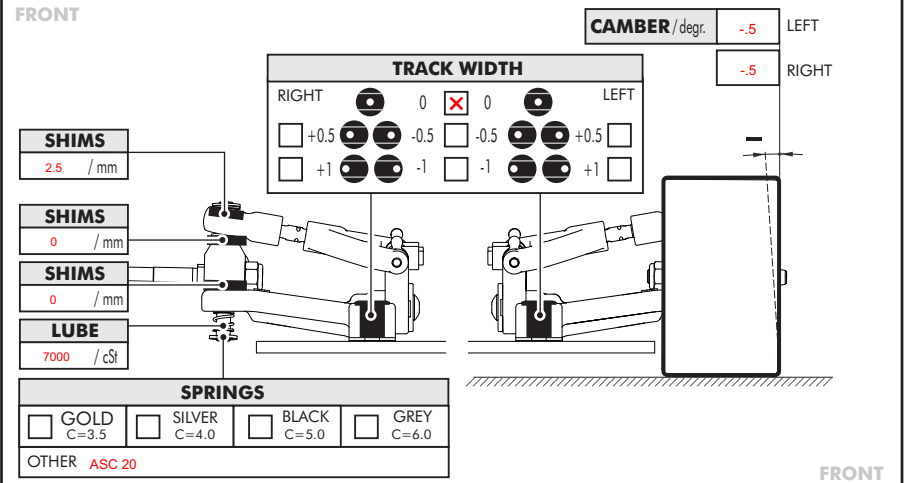
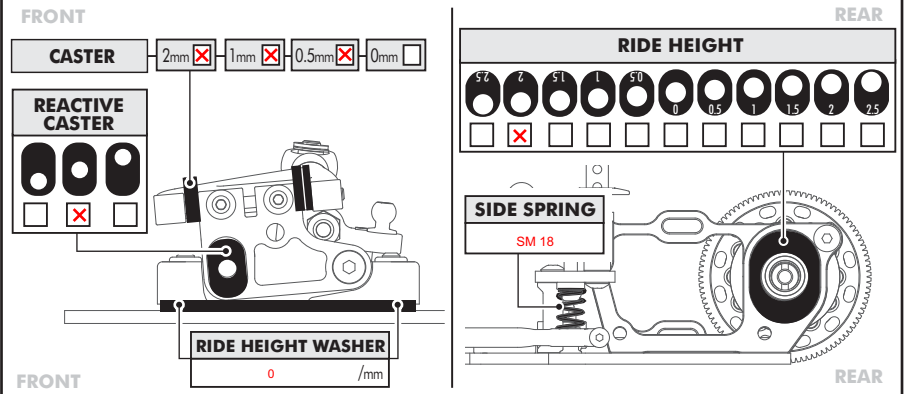
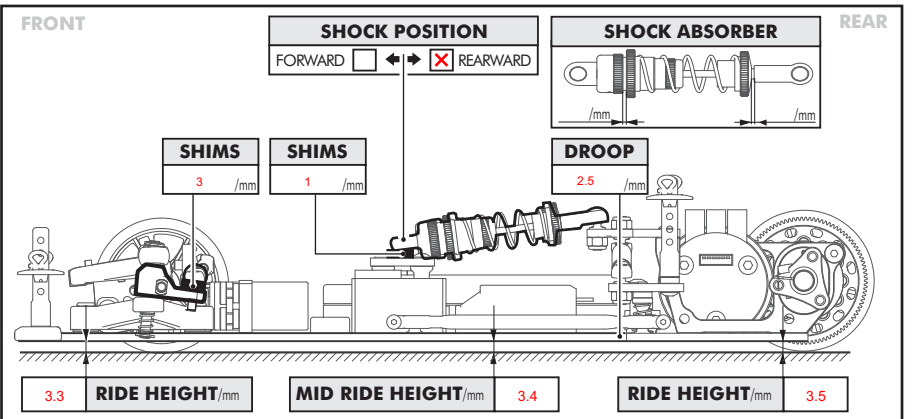


<b>TRANSMISSION</b>	
<b>DIFF SETTING</b>	
<input type="checkbox"/> LOOSE	<input type="checkbox"/> MEDIUM
<input checked="" type="checkbox"/> TIGHT	<input type="checkbox"/>

<b>PINION / T</b>	52	<b>SPUR GEAR/T</b>	80
<b>FINAL DRIVE RATIO</b>	1.5385	<b>ROLLOUT</b>	83.679

<b>ELECTRONICS</b>	
<b>MOTOR</b>	Trinity D4 1S
<b>SPEEDO</b>	Tekin RS Spec
<b>BATTERIES</b>	Trinity White Carbon HC

<b>BODY</b>	PROTOform Strakka 12
-------------	----------------------



COMMENTS Car hikes a little in the beginning but after a few laps it calms down and is very easy to drive fast  
Battery position is forward