

SET-UP SHEET

XRAY X12'15

RACE	Basic CARPET Set-Up	
TRACK		

NAME		
CITY / COUNTRY		
CONTACT		

DATE		
TEMPERATURE / <small>F or °C</small>	AIR	TRACK

QUALIFYING POSITION	BEST LAPTIME / sec	FINAL POSITION	RACE LENGTH / minutes

TRACK CONDITION	<input checked="" type="checkbox"/> CARPET	<input type="checkbox"/> ASPHALT
	<input type="checkbox"/> TECHNICAL	<input checked="" type="checkbox"/> MIXED
TRACTION	<input type="checkbox"/> LOW	<input checked="" type="checkbox"/> MEDIUM
	<input checked="" type="checkbox"/> MEDIUM	<input type="checkbox"/> HIGH

CENTER SHOCK ABSORBER			
SPRING	std.	OIL / cSt	700
		REBOUND%	50%

SIDE LINKAGES	<input checked="" type="checkbox"/>	OIL / cSt	3000
SIDE SHOCK	<input type="checkbox"/>	OIL / cSt	

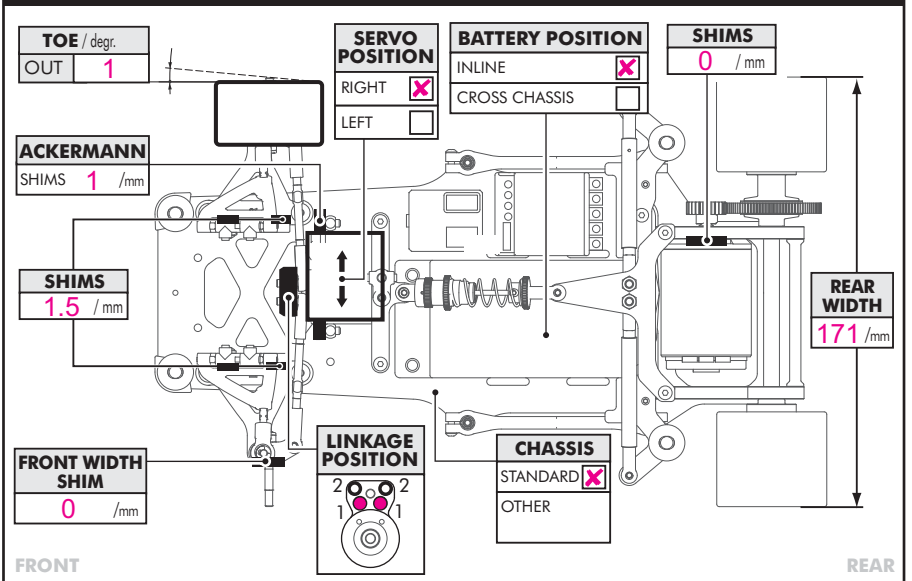
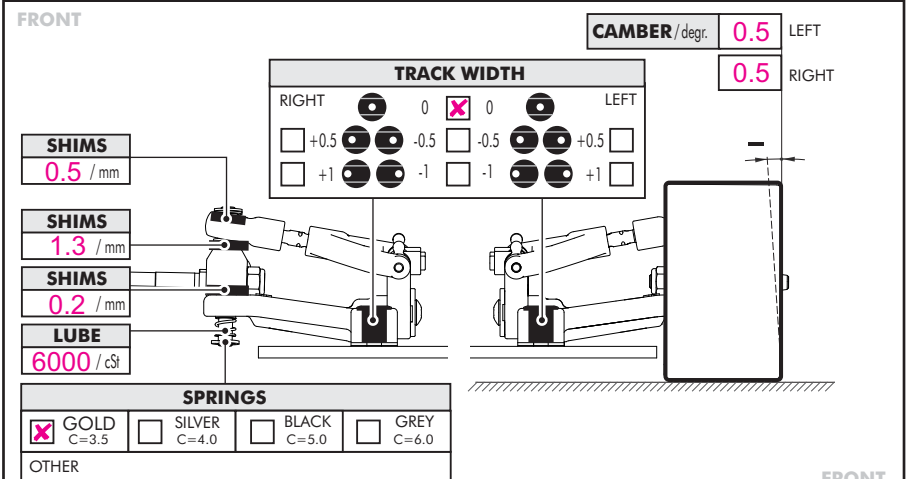
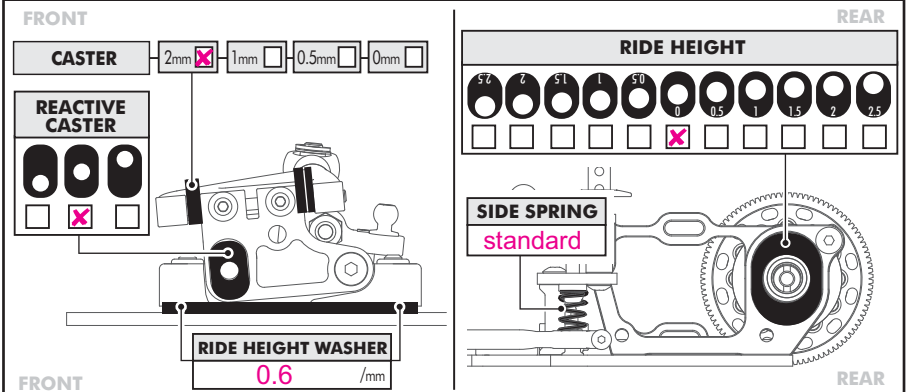
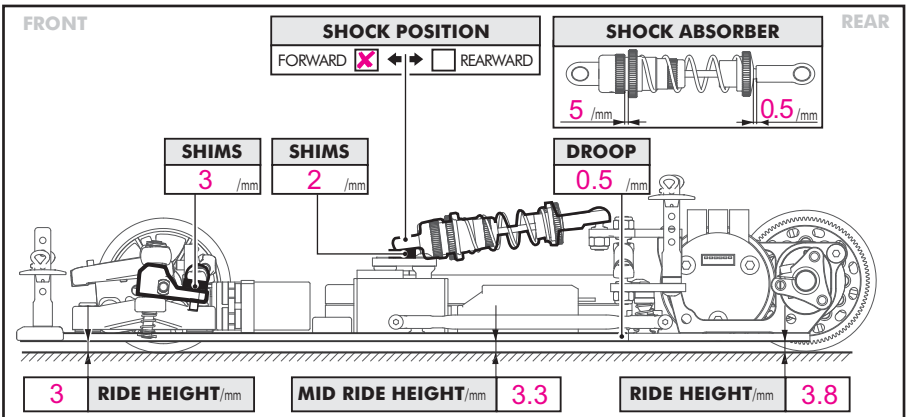
FRONT		TIRES	REAR	
43		DIAMETER/mm	45	
		ADDITIVE		
		ADDITIVE timing		
FRONT LEFT	FRONT RIGHT	ADDITIVE TREATED AREA	REAR LEFT	REAR RIGHT

TRANSMISSION	
DIFF SETTING	
<input type="checkbox"/> LOOSE	<input checked="" type="checkbox"/> MEDIUM
<input type="checkbox"/> TIGHT	

PINION / T		SPUR GEAR/T	
FINAL DRIVE RATIO		ROLLOUT	

ELECTRONICS	
MOTOR	
SPEEDO	
BATTERIES	

BODY	
-------------	--



COMMENTS

Ride height is directly affected by tire diameter. This basic set-up is intended for medium tire sizes. When smaller or larger diameter tires are used, the ride height must be changed as appropriate.