

# SET-UP SHEET

# XRAY X12'15

<b>RACE</b>	ORCA Cup
<b>TRACK</b>	Taoyuan

<b>NAME</b>	Alexander Hagberg	
<b>CITY / COUNTRY</b>	Taoyuan	Taiwan
<b>CONTACT</b>	alexander.hagberg@gmail.com	

<b>DATE</b>	27/11/2014	
<b>TEMPERATURE</b> / <small>F or °C</small>	AIR	TRACK

<b>QUALIFYING POSITION</b>	<b>BEST LAPTIME</b> / sec	<b>FINAL POSITION</b>	<b>RACE LENGTH</b> / minutes
1	9.4	1	5

<b>TRACK CONDITION</b>	<input checked="" type="checkbox"/> CARPET	<input type="checkbox"/> ASPHALT
	<input checked="" type="checkbox"/> TECHNICAL	<input type="checkbox"/> MIXED
	<input type="checkbox"/> FAST	
<b>TRACTION</b>	<input checked="" type="checkbox"/> LOW	<input type="checkbox"/> MEDIUM
	<input type="checkbox"/> HIGH	

CENTER SHOCK ABSORBER			
<b>SPRING</b>	Gold	<b>OIL / cSt</b>	500
		<b>REBOUND%</b>	25

<b>SIDE LINKAGES</b>	<input checked="" type="checkbox"/>	<b>OIL / cSt</b>	10.000
<b>SIDE SHOCK</b>	<input type="checkbox"/>	<b>OIL / cSt</b>	

FRONT		REAR	
Hot Race 30	<b>TIRES</b>	Hot Race "EC"	
40.8	DIAMETER/mm	42.4	
Spider green	ADDITIVE	Spider green	
15	ADDITIVE timing	40	

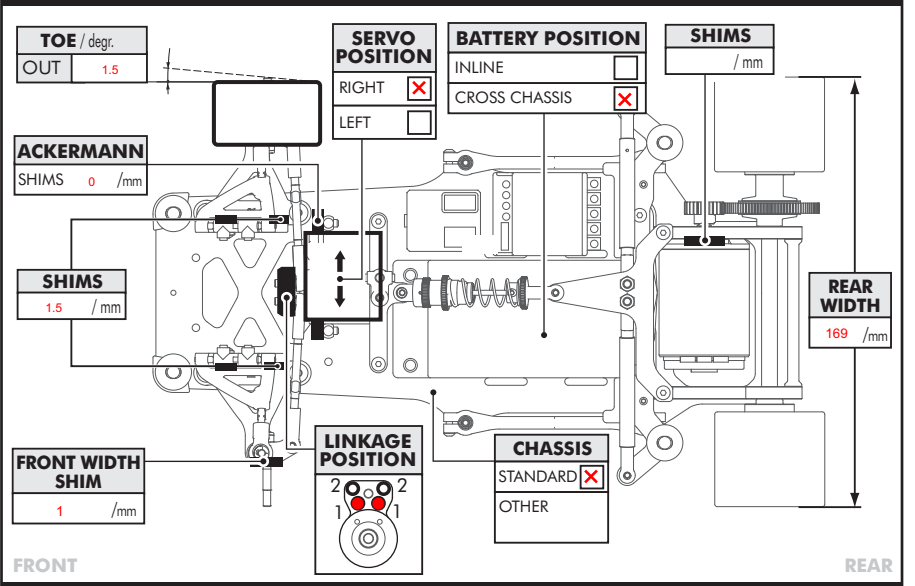
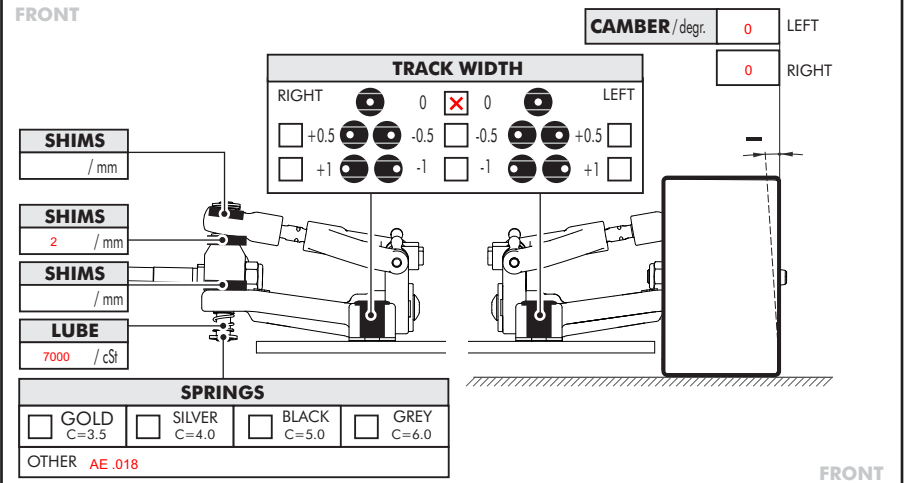
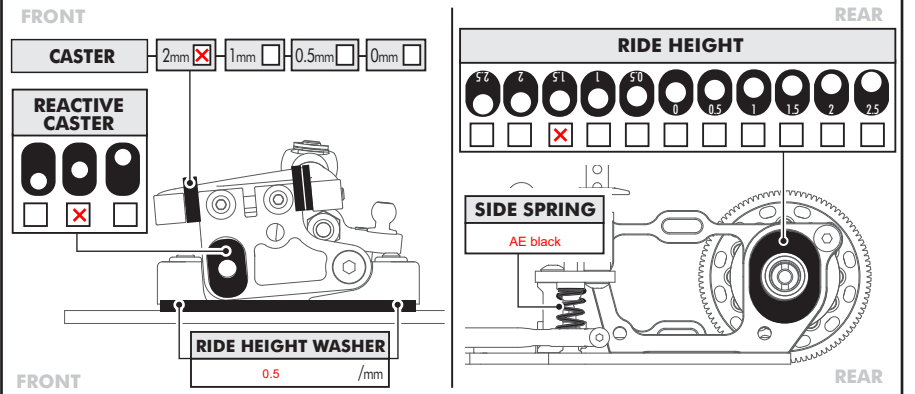
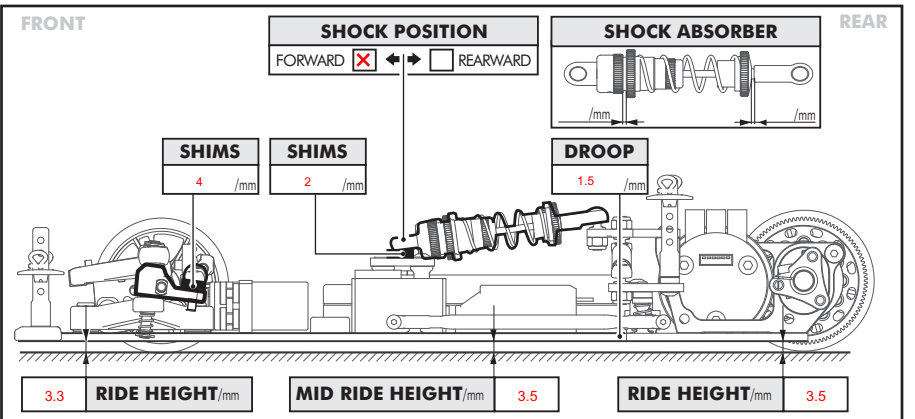


TRANSMISSION	
<b>DIFF SETTING</b>	
<input type="checkbox"/> LOOSE	<input type="checkbox"/> MEDIUM
<input checked="" type="checkbox"/> TIGHT	<input type="checkbox"/>

<b>PINION / T</b>	27	<b>SPUR GEAR/T</b>	96
<b>FINAL DRIVE RATIO</b>	3.5556	<b>ROLLOUT</b>	37.444

ELECTRONICS	
<b>MOTOR</b>	ORCA TX 4.0T
<b>SPEEDO</b>	ORCA VX3 1S
<b>BATTERIES</b>	ORCA INFINITE 6800

<b>BODY</b>	PF AMR
-------------	--------



COMMENTS **0.5mm of uptravel in front suspension**