

SET-UP SHEET

XRAY X12'15

RACE	Charity Race 2014	
TRACK	RC Landia	

NAME	Alexander Hagberg	
CITY / COUNTRY	Scandiano	Italy
CONTACT	alexander.hagberg@gmail.com	

DATE	08/12/2014	
TEMPERATURE / <small>F or °C</small>	AIR	TRACK

QUALIFYING POSITION	BEST LAPTIME / sec	FINAL POSITION	RACE LENGTH / minutes
1	11.6	1	8

TRACK CONDITION	<input checked="" type="checkbox"/> CARPET	<input type="checkbox"/> ASPHALT
	<input type="checkbox"/> TECHNICAL	<input checked="" type="checkbox"/> MIXED
		<input type="checkbox"/> FAST

TRACTION		
<input type="checkbox"/> LOW	<input type="checkbox"/> MEDIUM	<input checked="" type="checkbox"/> HIGH

CENTER SHOCK ABSORBER			
SPRING	Gold	OIL / cSt	500
		REBOUND %	25

SIDE LINKAGES	<input checked="" type="checkbox"/>	OIL / cSt	10.000
SIDE SHOCK	<input type="checkbox"/>	OIL / cSt	

FRONT		TIRES	REAR	
Hot Race EC			Hot Race EC	
41	DIAMETER/mm		42.5	
Spider green	ADDITIVE		Spider green	
60 min	ADDITIVE timing		60 min	

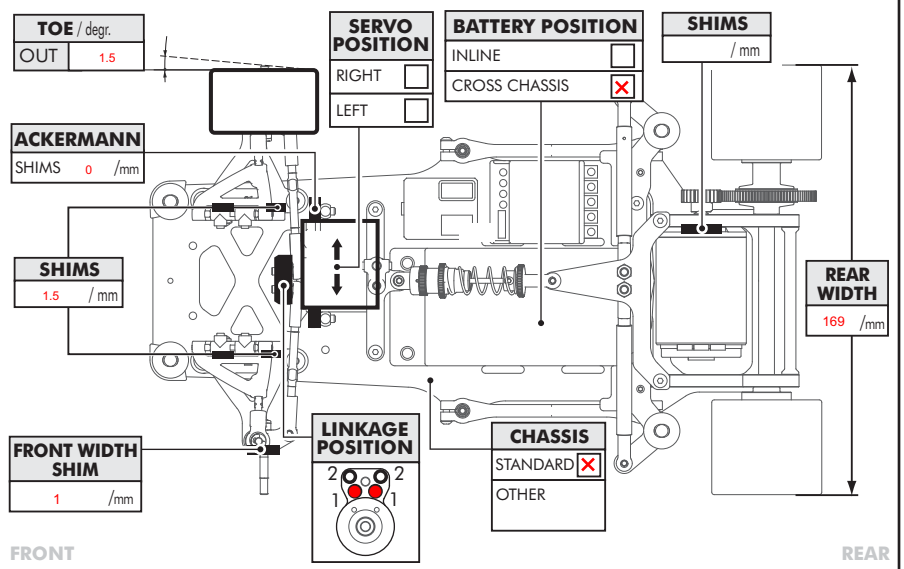
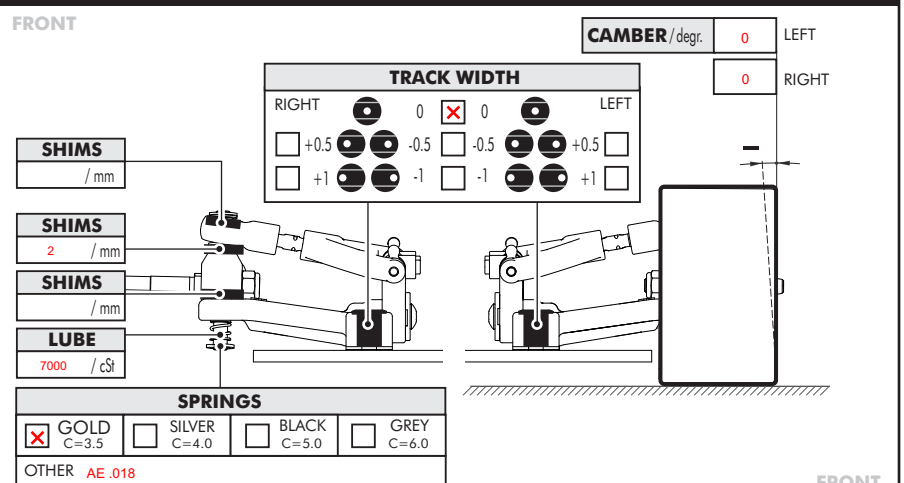
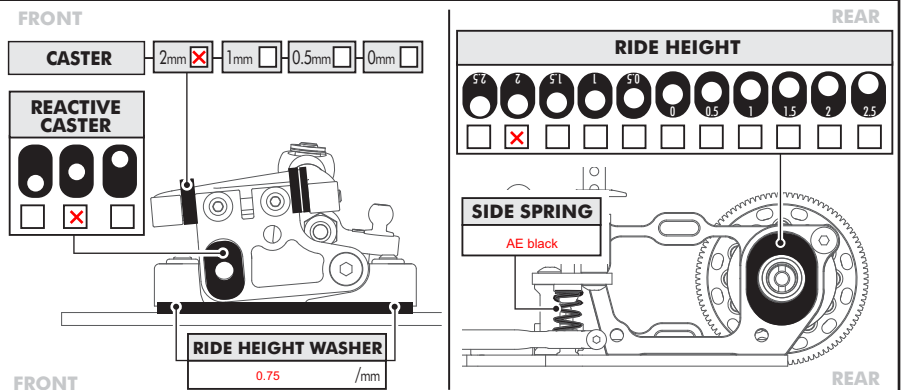
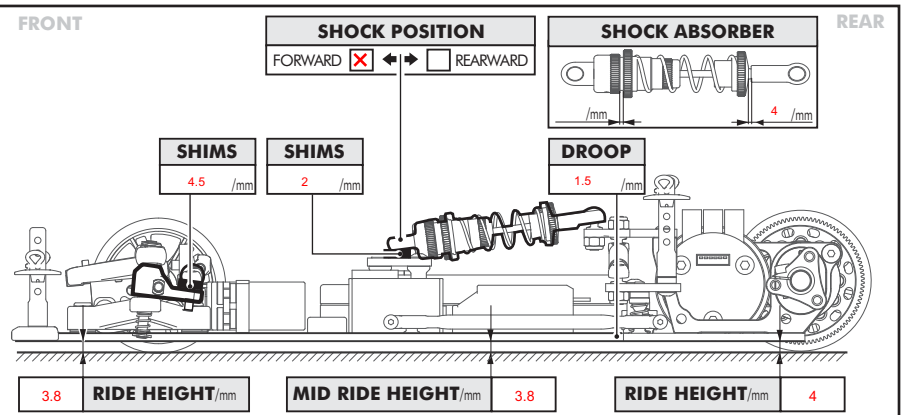
FRONT LEFT	FRONT RIGHT	ADDITIVE TREATED AREA	REAR LEFT	REAR RIGHT

TRANSMISSION			
DIFF SETTING			
<input type="checkbox"/> LOOSE	<input type="checkbox"/>	<input type="checkbox"/> MEDIUM	<input checked="" type="checkbox"/> TIGHT

PINION / T	27	SPUR GEAR /T	96
FINAL DRIVE RATIO	3.5556	ROLLOUT	37.532

ELECTRONICS	
MOTOR	ORCA TX 4.0T
SPEEDO	ORCA VX3
BATTERIES	ORCA INFINITE 6200 80C

BODY	PF AMR-12
-------------	-----------



COMMENTS 0.5mm of droop in front suspension