

SET-UP SHEET

RACE	Brca rd 6	
TRACK	chesterfield	

NAME	Olly Jefferies	
CITY / COUNTRY	chesterfield	UK
CONTACT		

DATE	16/03/2014	
TEMPERATURE/°F or °C	AIR 20	TRACK

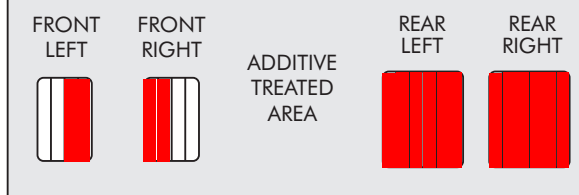
QUALIFYING POSITION	BEST LAP TIME / sec	FINAL POSITION	RACE LENGTH / minutes
1	11.1	1	8

TRACK CONDITION	<input checked="" type="checkbox"/> CARPET	<input type="checkbox"/> ASPHALT
	<input checked="" type="checkbox"/> TECHNICAL	<input type="checkbox"/> MIXED
	<input type="checkbox"/> FAST	
TRACTION	<input type="checkbox"/> LOW	<input type="checkbox"/> MEDIUM
	<input checked="" type="checkbox"/> HIGH	

CENTER SHOCK ABSORBER		
SPRING	black	OIL / cSt 400
		REBOUND% 0

SIDE LINKAGES	
OIL / cSt	5k

FRONT	TIRES	REAR
arc maganeta		arc pink
41.5	DIAMETER/mm	43
spider blue	ADDITIVE	spider green
10	ADDITIVE timing	30



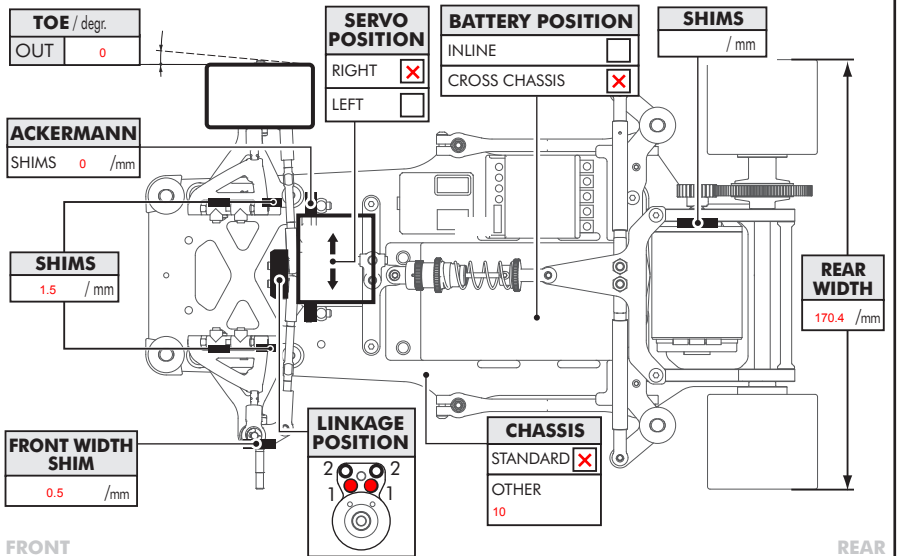
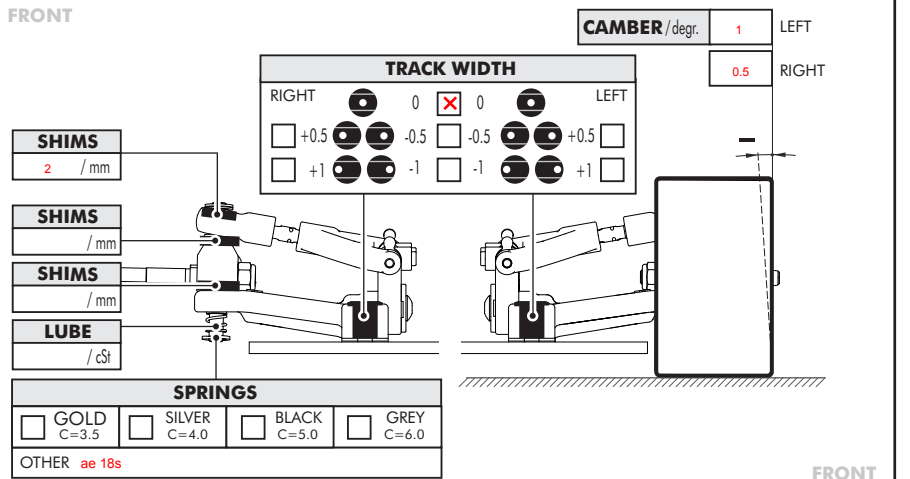
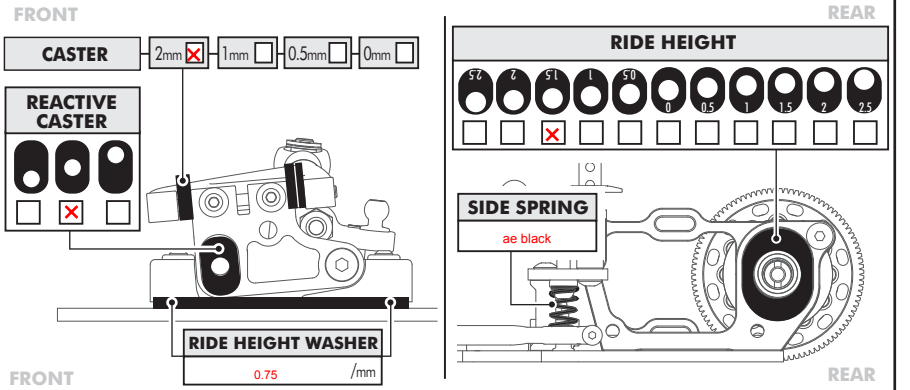
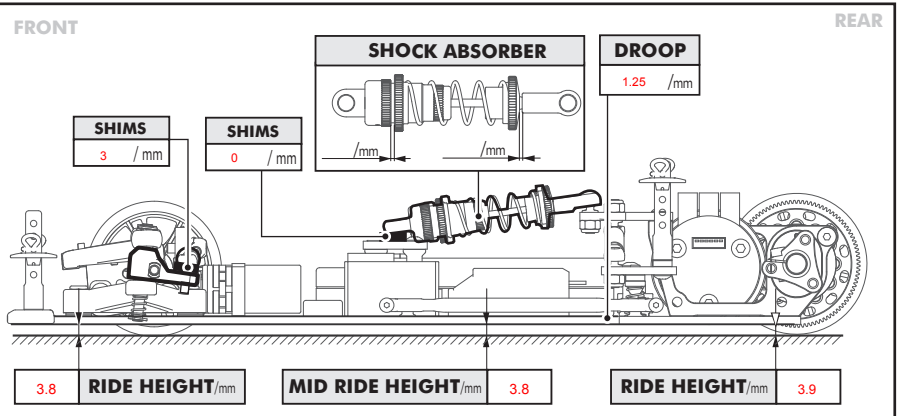
TRANSMISSION	
DIFF SETTING	
<input type="checkbox"/> LOOSE	<input checked="" type="checkbox"/> MEDIUM
<input type="checkbox"/> TIGHT	

PINION / T	25	SPUR GEAR/T	88
FINAL DRIVE RATIO	3.52	ROLLOUT	38.357954545455

MOTOR	
BRAND	reedy sonic mach 2
TURN	3.5
ROTOR	std
TIMING	18

ESC	lrp flow	
ESC SETTING	PROGRAM	<input type="checkbox"/> PUNCH <input type="checkbox"/>
	INITIAL BRAKE	<input type="checkbox"/> AUTO BRAKE <input type="checkbox"/>

BATTERIES	reedy
BODY	pf amr



COMMENTS
 3mm under back of shock to increase angle.
 front brace fitted
 one hole glued in shock piston
 drilled shock cap for zero rebound