

SET-UP SHEET

RACE	
TRACK	

NAME		
CITY / COUNTRY		
CONTACT		

DATE		
TEMPERATURE / °F or °C	AIR	TRACK

QUALIFYING POSITION	BEST LAP TIME / sec	FINAL POSITION	RACE LENGTH / minutes
----------------------------	----------------------------	-----------------------	------------------------------

TRACK CONDITION	<input type="checkbox"/> CARPET	<input type="checkbox"/> ASPHALT
	<input type="checkbox"/> TECHNICAL	<input type="checkbox"/> MIXED
	<input type="checkbox"/> FAST	
TRACTION		
	<input type="checkbox"/> LOW	<input type="checkbox"/> MEDIUM
	<input type="checkbox"/> HIGH	

CENTER SHOCK ABSORBER		
SPRING	OIL / cSt	REBOUND %

SIDE LINKAGES	
OIL / cSt	

FRONT		REAR	
TIRES			
DIAMETER / mm			
ADDITIVE			
ADDITIVE timing			
FRONT LEFT	FRONT RIGHT	REAR LEFT	REAR RIGHT
ADDITIVE TREATED AREA			

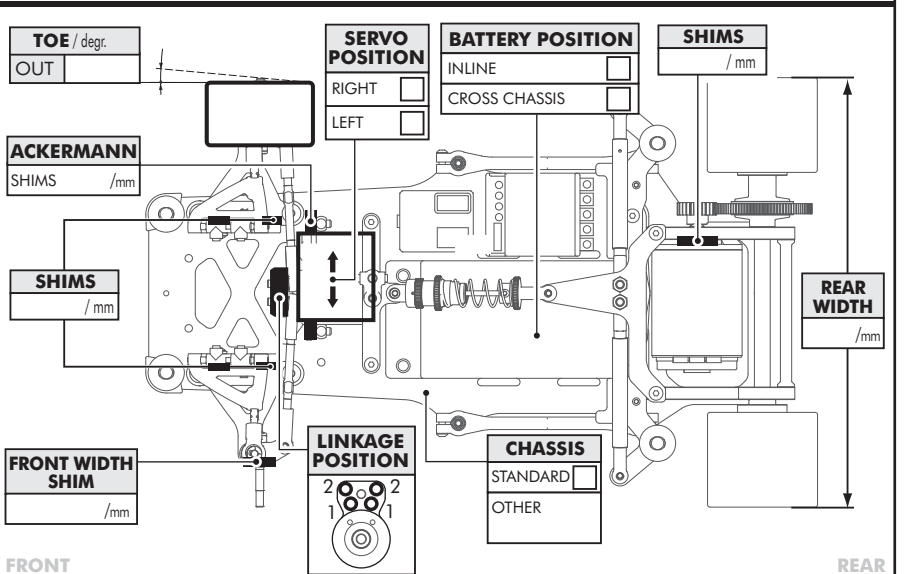
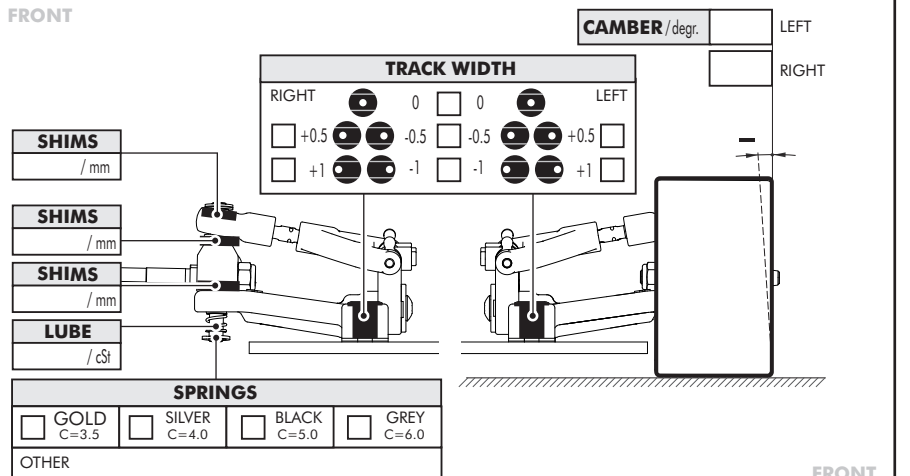
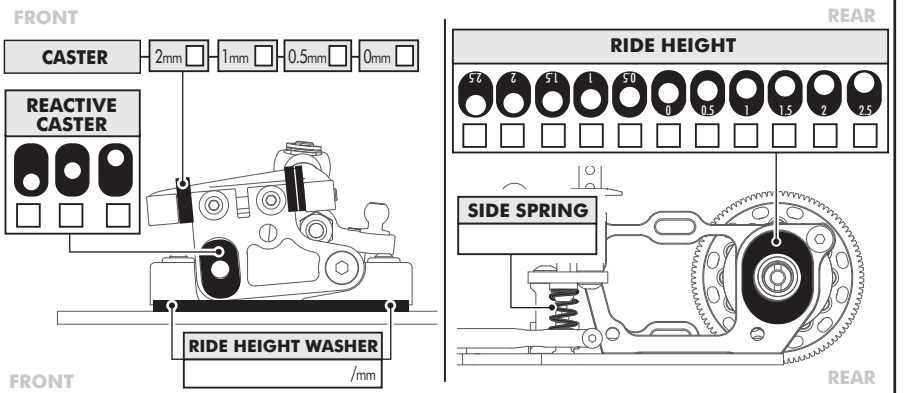
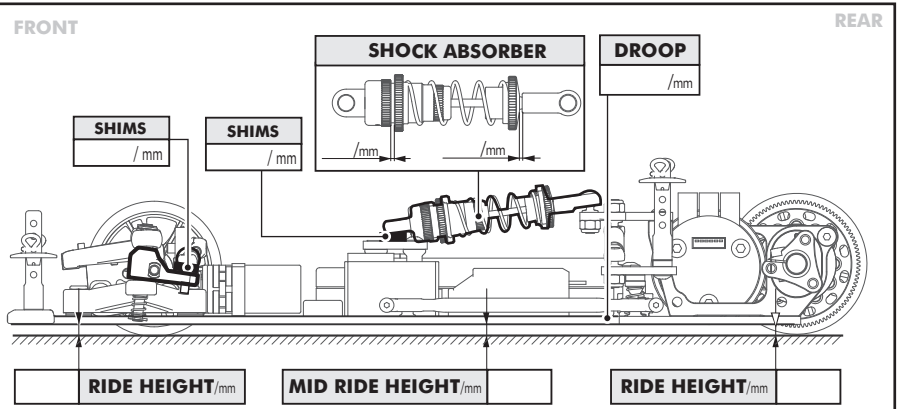
TRANSMISSION	
DIFF SETTING	
<input type="checkbox"/> LOOSE	<input type="checkbox"/> MEDIUM
<input type="checkbox"/> TIGHT	

PINION / T	SPUR GEAR / T
FINAL DRIVE RATIO	ROLLOUT

MOTOR	
BRAND	
TURN	
ROTOR	
TIMING	

ESC		
ESC SETTING	PROGRAM <input type="checkbox"/>	PUNCH <input type="checkbox"/>
	INITIAL BRAKE <input type="checkbox"/>	AUTO BRAKE <input type="checkbox"/>

BATTERIES	
BODY	



FRONT **REAR**

COMMENTS