

SET-UP SHEET

XRAY X12'14

RACE	Basic CARPET Set-Up	
TRACK		

NAME		
CITY / COUNTRY		
CONTACT		

DATE		
TEMPERATURE / °F or °C	AIR	TRACK

QUALIFYING POSITION	BEST LAP TIME / sec	FINAL POSITION	RACE LENGTH / minutes

TRACK CONDITION	<input checked="" type="checkbox"/> CARPET	<input type="checkbox"/> ASPHALT
	<input type="checkbox"/> TECHNICAL	<input type="checkbox"/> FAST
	<input checked="" type="checkbox"/> MIXED	

TRACTION	<input type="checkbox"/> LOW	<input checked="" type="checkbox"/> MEDIUM	<input type="checkbox"/> HIGH
-----------------	------------------------------	--	-------------------------------

CENTER SHOCK ABSORBER			
SPRING	std.	OIL / cSt	700
		REBOUND %	50%

SIDE LINKAGES	
OIL / cSt	3000

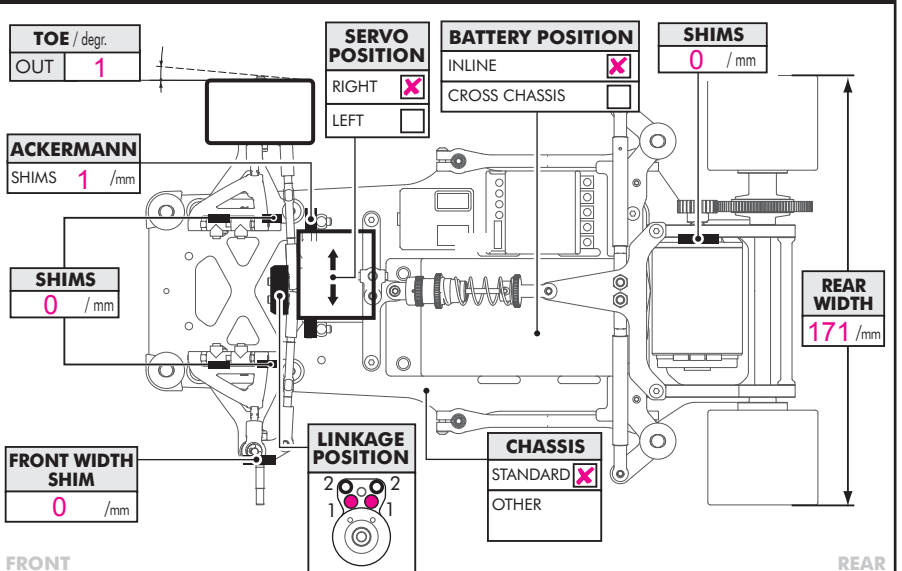
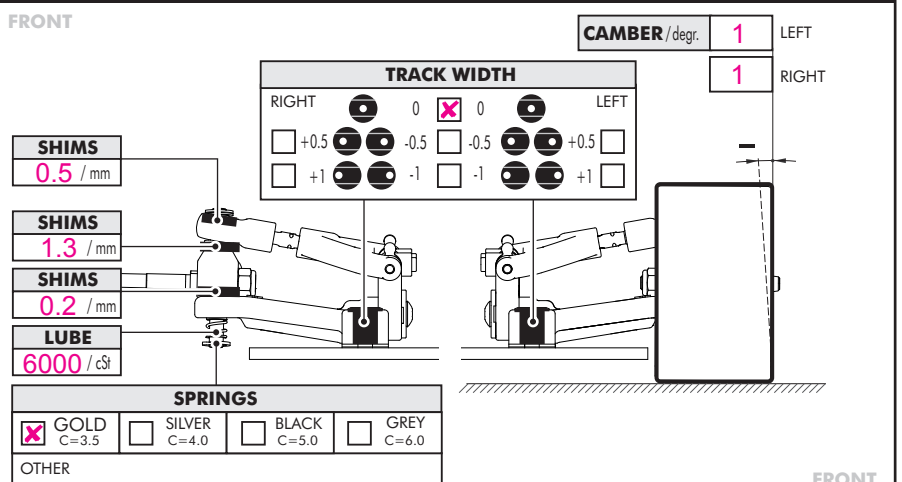
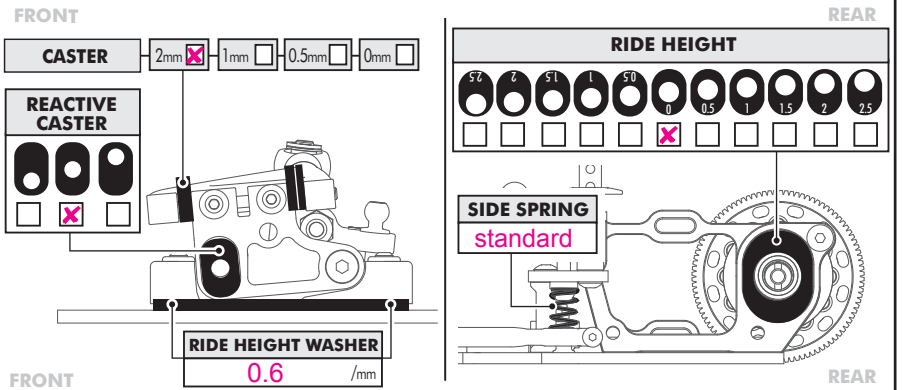
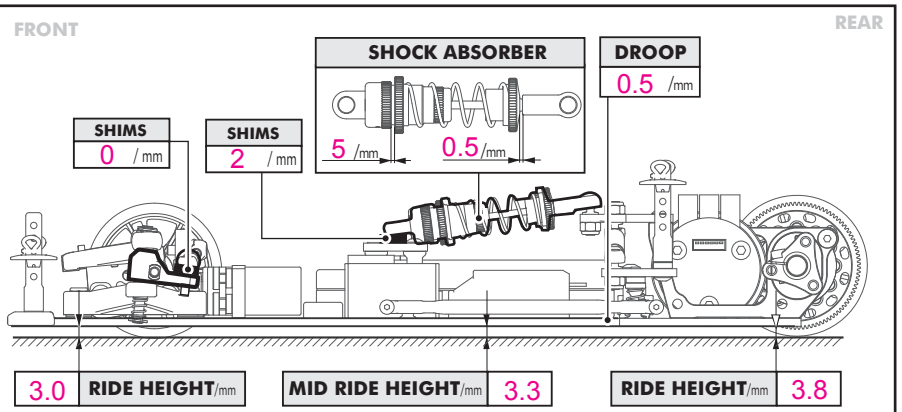
FRONT		TIRES	REAR	
43		DIAMETER/mm	45	
		ADDITIVE		
		ADDITIVE timing		
FRONT LEFT	FRONT RIGHT	ADDITIVE TREATED AREA	REAR LEFT	REAR RIGHT

TRANSMISSION	
DIFF SETTING	
<input type="checkbox"/> LOOSE	<input checked="" type="checkbox"/> MEDIUM
<input type="checkbox"/> TIGHT	

PINION / T	SPUR GEAR/T
FINAL DRIVE RATIO	ROLLOUT

MOTOR	
BRAND	
TURN	
ROTOR	
TIMING	

ESC		
ESC SETTING	PROGRAM <input type="checkbox"/>	PUNCH <input type="checkbox"/>
	INITIAL BRAKE <input type="checkbox"/>	AUTO BRAKE <input type="checkbox"/>
BATTERIES		
BODY		



COMMENTS

Ride height is directly affected by tire diameter. This basic set-up is intended for medium tire sizes. When smaller or larger diameter tires are used, the ride height must be changed as appropriate.