

SET-UP SHEET

RACE	European Championship Winning Set-up	
TRACK	RC Landia	

NAME	Alexander Hagberg	
CITY / COUNTRY	Scandiano	Italy
CONTACT	alexander.hagberg@gmail.com	

DATE	23/03/2014	
-------------	------------	--

TEMPERATURE / °F or °C	AIR	20	TRACK
-------------------------------	-----	----	-------

QUALIFYING POSITION	BEST LAP TIME / sec	FINAL POSITION	RACE LENGTH / minutes
1	11.4	1	8

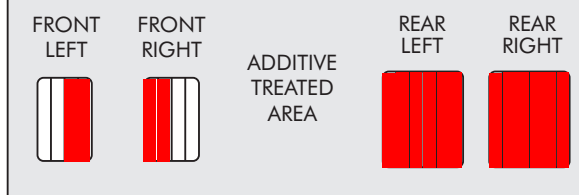
TRACK CONDITION	<input checked="" type="checkbox"/> CARPET	<input type="checkbox"/> ASPHALT
	<input type="checkbox"/> TECHNICAL	<input checked="" type="checkbox"/> MIXED
		<input type="checkbox"/> FAST

TRACTION	<input type="checkbox"/> LOW	<input checked="" type="checkbox"/> MEDIUM	<input type="checkbox"/> HIGH
-----------------	------------------------------	--	-------------------------------

CENTER SHOCK ABSORBER		
SPRING	Gold	OIL / cSt 500
		REBOUND % 50

SIDE LINKAGES	
OIL / cSt	15.000

FRONT		TIRES	REAR	
Hot Race 30		Hot Race 30		
40.7		DIAMETER/mm	42.3	
Spider Green		ADDITIVE	Spider Green	
10		ADDITIVE timing	60 (vacuum)	



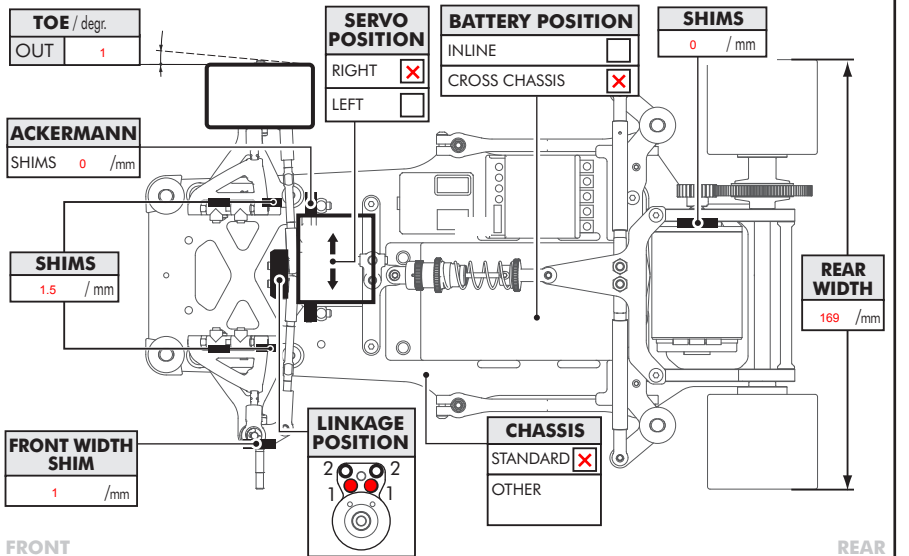
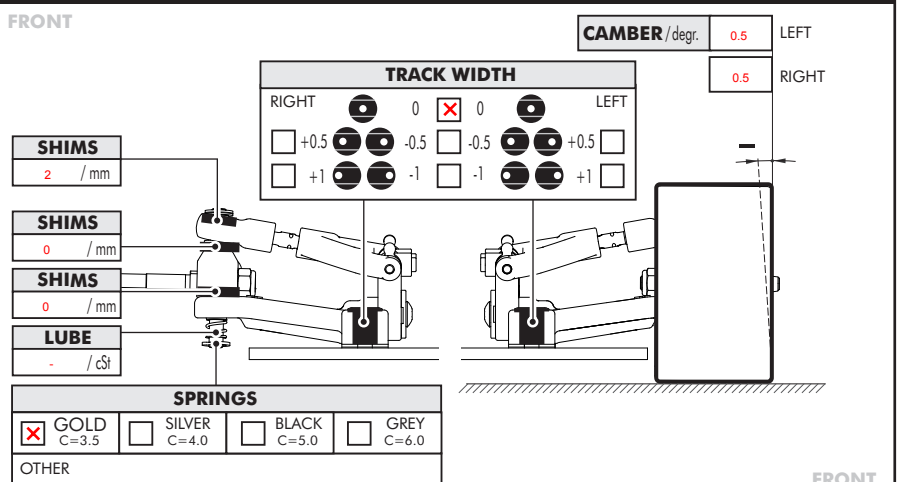
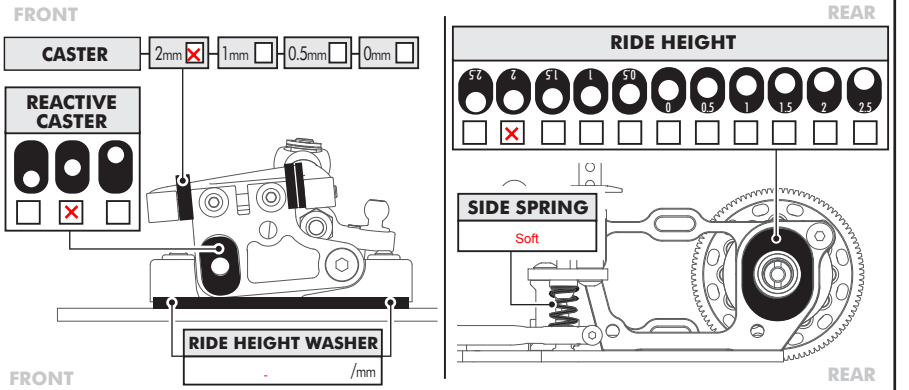
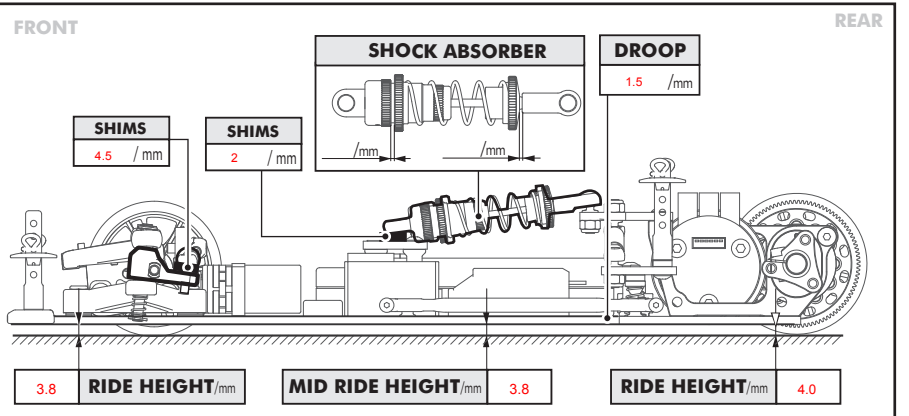
TRANSMISSION	
DIFF SETTING	
<input type="checkbox"/> LOOSE	<input type="checkbox"/> MEDIUM
<input type="checkbox"/> TIGHT	<input checked="" type="checkbox"/>

PINION / T	27	SPUR GEAR/T	96
FINAL DRIVE RATIO	3.55555555555556	ROLLOUT	37.3561875

MOTOR	
BRAND	ORCA RX2
TURN	4.0T
ROTOR	12.5
TIMING	+1 line

ESC	ORCA VXX	
ESC SETTING	PROGRAM	<input type="checkbox"/> PUNCH <input type="checkbox"/> 8
	INITIAL BRAKE	<input type="checkbox"/> AUTO BRAKE <input type="checkbox"/> 3%

BATTERIES	ORCA INFINITE 6800 90C
BODY	Protoform AMR-12



COMMENTS
 1 hole glued in shock piston
 Long shock modification used