

SET-UP SHEET

XRAY T4'14

RACE	IIC Las Vegas updated		
TRACK	Riv Ball room		
NAME	Paul LeMieux		
CITY / COUNTRY	milwaukee	USA	
CONTACT			

DATE	14/11/2013	TEMPERATURE / °F or °C	AIR	TRACK
------	------------	------------------------	-----	-------

QUALIFYING POSITION	BEST LAPTIME /sec	FINAL POSITION	RACE LENGTH /minutes
3		2	5

TRACK CONDITION	<input checked="" type="checkbox"/> CARPET	<input type="checkbox"/> ASPHALT	
<input type="checkbox"/> TECHNICAL	<input checked="" type="checkbox"/> MIXED	<input type="checkbox"/> FAST	
TRACTION	<input type="checkbox"/> LOW	<input type="checkbox"/> MEDIUM	<input checked="" type="checkbox"/> HIGH

FRONT	REAR
TRANSMISSION	

SOLID AXLE	<input type="checkbox"/> YES	BALL DIFFERENTIAL	<input type="checkbox"/> YES
SOLID ONE WAY DIFF.	<input type="checkbox"/> YES		
ONE WAY DIFFERENTIAL	<input type="checkbox"/> YES		

GEAR DIFFERENTIAL	<input type="checkbox"/> YES	GEAR DIFFERENTIAL	<input checked="" type="checkbox"/> YES
OIL	gravity 2.5million cst	OIL	2500 /Cst

PINION / T	26	SPUR GEAR / T	114
FINAL DRIVE RATIO	NaN	ROLLOUT	0

FRONT	REAR
-------	------

2.3	XRAY SPRINGS	2.3
-----	--------------	-----

400	OIL / CST	350
-----	-----------	-----

	LENGTH /mm	
	PRELOAD /mm	
	REBOUND %	

<input type="checkbox"/> YES	<input type="checkbox"/> NO	FOAM INSERTS	<input type="checkbox"/> YES	<input type="checkbox"/> NO
<input type="checkbox"/> YES	<input type="checkbox"/> NO	O-RING ON SHAFT	<input type="checkbox"/> YES	<input type="checkbox"/> NO

<input type="checkbox"/> 3 HOLES	<input checked="" type="checkbox"/> 4 HOLES	PISTONS	1.0mm	<input type="checkbox"/> 3 HOLES	<input checked="" type="checkbox"/> 4 HOLES
			1.1mm		
			1.2mm		
OTHERS					

1.3	THICKNESS/mm	ANTI-ROLL BAR	THICKNESS/mm	1.2
-----	--------------	---------------	--------------	-----

jaco handout	TIRES	jaco handout
jack handout	INSERTS	jack handout
10min	ADDITIVE	10min
	ADDITIVE TIMING	

FRONT LEFT	FRONT RIGHT	REAR LEFT	REAR RIGHT
TREATED AREA			

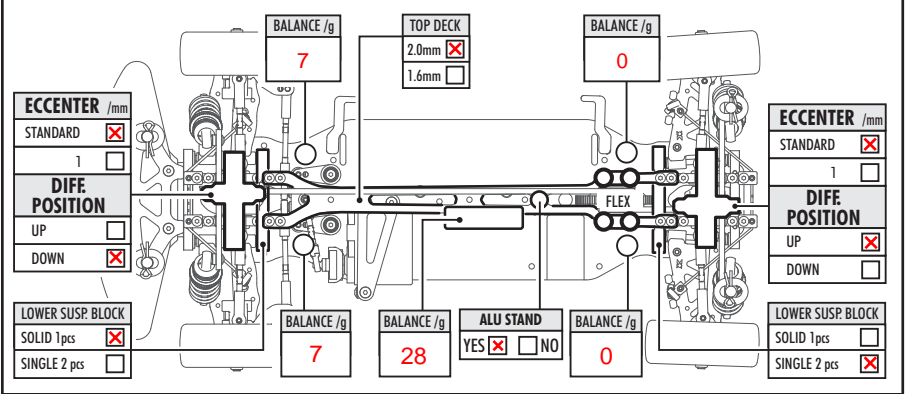
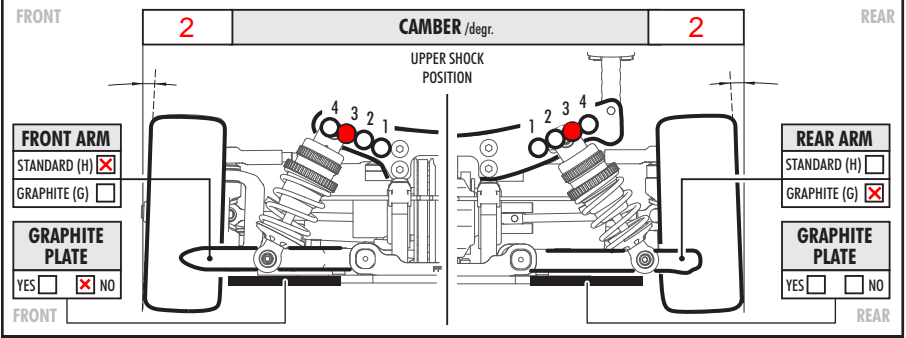
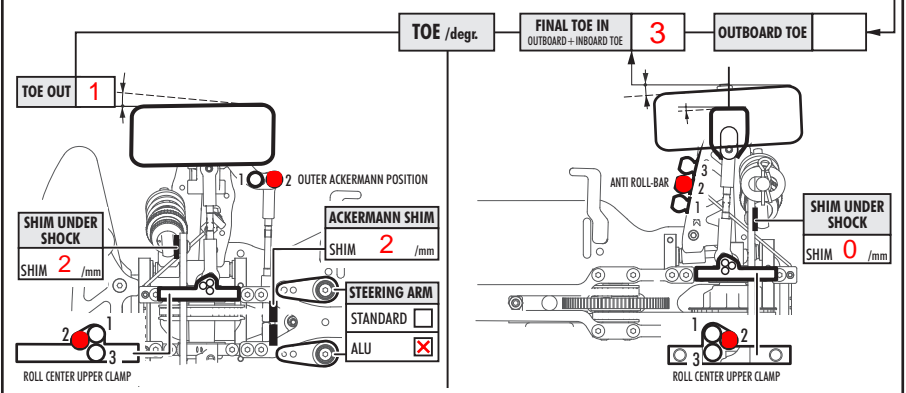
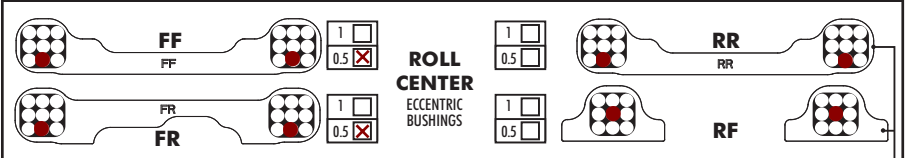
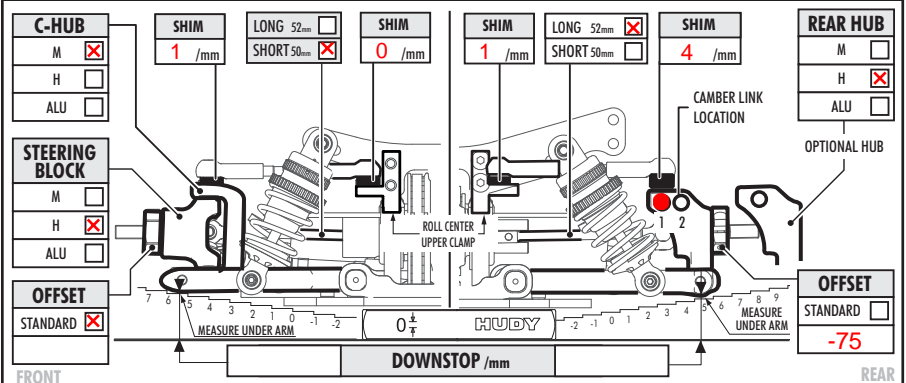
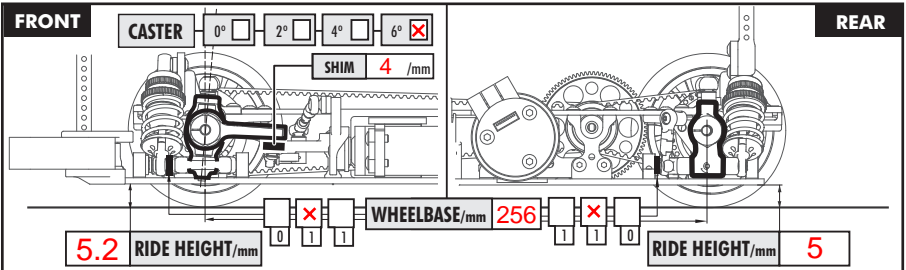
WHEELS			
<input type="checkbox"/> S	<input type="checkbox"/> M	<input type="checkbox"/> H	HARDNESS
<input type="checkbox"/> S	<input type="checkbox"/> M	<input type="checkbox"/> H	

MOTOR	Thunderpower 4.0	TIMING	20
ROTOR	standard	ARMATURE	

ESC	LRP Flow	BATTERIES	Thunderpower 6000 65C
-----	----------	-----------	-----------------------

BODY	protoform speed 6	WING	protoform high downforce
------	-------------------	------	--------------------------

- APPLIED S-SOFT M-MEDIUM H-HARD



COMMENTS
 Droop: 3mms above ride height front and rear.
 Caster: for club racing i would start this set up with 4deg caster.
 sway bar: since the race i have had many others love the 1.4 rear sway bar with this set up.