

# SET-UP SHEET

# XRAY T4

RACE	ETS final		
TRACK	Hudy arena		
NAME	Paul LeMieux		
CITY / COUNTRY	milwaukee	USA	
CONTACT			

DATE	29/07/2013	TEMPERATURE / °F or °C	AIR	TRACK
QUALIFYING POSITION	BEST LAPTIME /sec	FINAL POSITION	RACE LENGTH /minutes	

TRACK CONDITION	<input type="checkbox"/> CARPET	<input type="checkbox"/> ASPHALT	
<input type="checkbox"/> TECHNICAL	<input type="checkbox"/> MIXED	<input checked="" type="checkbox"/> FAST	
TRACTION	<input type="checkbox"/> LOW	<input checked="" type="checkbox"/> MEDIUM	<input type="checkbox"/> HIGH

FRONT	REAR
TRANSMISSION	

SOLID AXLE	<input type="checkbox"/> YES	BALL DIFFERENTIAL	<input type="checkbox"/> YES
SOLID ONE WAY DIFF.	<input type="checkbox"/> YES		
ONE WAY DIFFERENTIAL	<input type="checkbox"/> YES		

GEAR DIFFERENTIAL	<input type="checkbox"/> YES	GEAR DIFFERENTIAL	<input checked="" type="checkbox"/> YES
OIL	2.5 million CST	OIL	3 /cst

PINION / T	26	SPUR GEAR / T	114
FINAL DRIVE RATIO	4.3846153846154	ROLLOUT	NaN

FRONT	REAR	
2.5/2.8	XRAY SPRINGS	2.5

350	OIL / CST	350
	LENGTH /mm	
	PRELOAD /mm	
0	REBOUND %	0

<input type="checkbox"/> YES	<input checked="" type="checkbox"/> NO	FOAM INSERTS	<input type="checkbox"/> YES	<input checked="" type="checkbox"/> NO
<input type="checkbox"/> YES	<input type="checkbox"/> NO	O-RING ON SHAFT	<input type="checkbox"/> YES	<input type="checkbox"/> NO

<input checked="" type="checkbox"/> 3 HOLES	<input checked="" type="checkbox"/> 1.0mm	<input checked="" type="checkbox"/> 3 HOLES	<input checked="" type="checkbox"/>
<input type="checkbox"/> 4 HOLES	<input type="checkbox"/> 1.1mm	<input type="checkbox"/> 4 HOLES	<input type="checkbox"/>
	<input type="checkbox"/> 1.2mm		<input type="checkbox"/>
OTHERS			

1.4	THICKNESS/mm	ANTI-ROLL BAR	THICKNESS/mm	1.2
-----	--------------	---------------	--------------	-----

ride handout	TIRES	ride handout
	INSERTS	
LG2/Mighty grip blue	ADDITIVE	LG2/Mighty grip blue
20min	ADDITIVE TIMING	20min



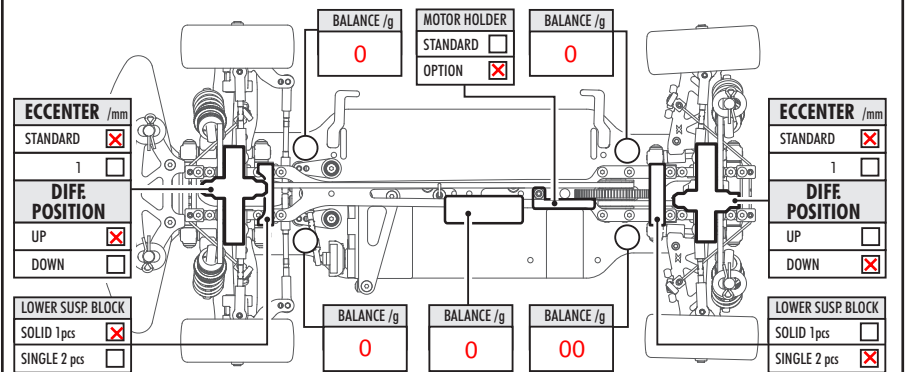
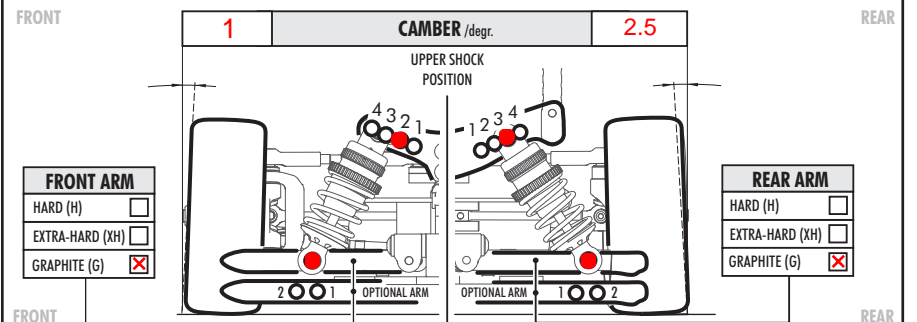
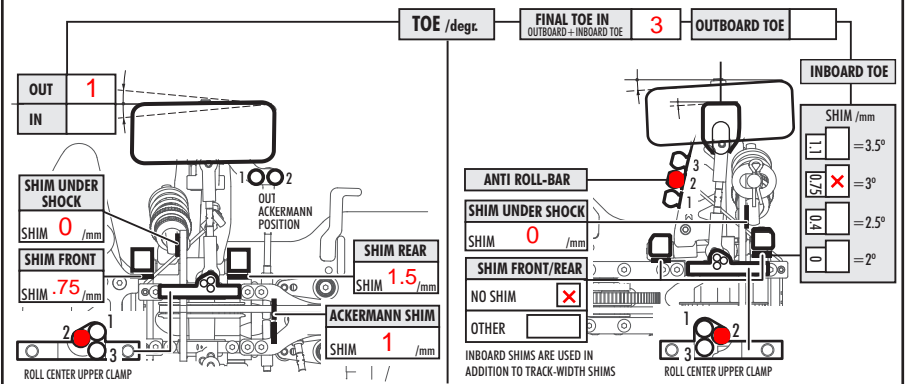
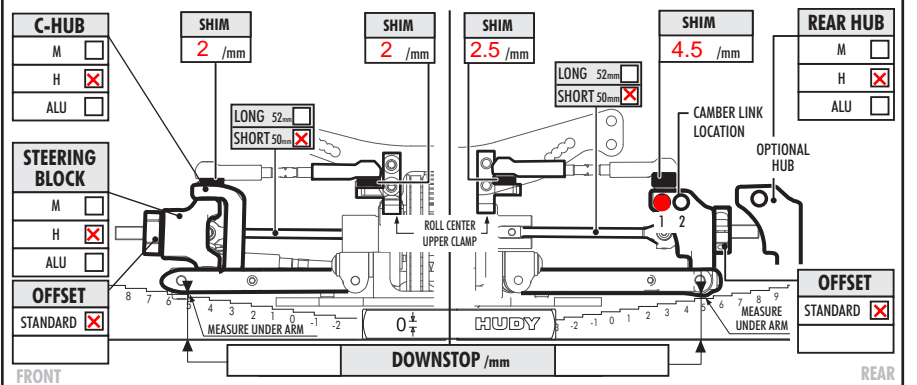
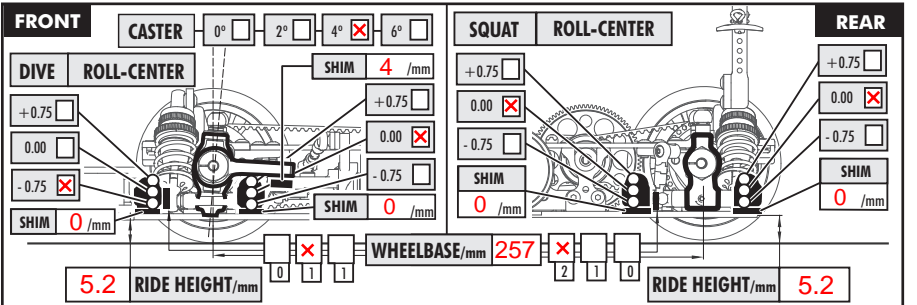
WHEELS	
S <input type="checkbox"/>	M <input type="checkbox"/> H <input type="checkbox"/>
HARDNESS	S <input type="checkbox"/> M <input type="checkbox"/> H <input type="checkbox"/>

MOTOR	thunderpower 4.5	TIMING	25
ROTOR	std	ARMATURE	

ESC		BATTERIES	Thunderpower 6000 65C
-----	--	-----------	-----------------------

BODY	Protoform LTCR	WING	stk back
------	----------------	------	----------

●  - APPLIED S-SOFT M-MEDIUM H-HARD



## COMMENTS

Drop, 2mms above ride height front and rear.  
Front drive shafts, 50mm ecs.  
New white belts.