

SET-UP SHEET

XRAY T4

RACE	Reedy Race 2013		
TRACK	Norcal Hobbies		
NAME	artwork		
CITY / COUNTRY	Union City, CA	USA	
CONTACT			

DATE	28/05/2013	TEMPERATURE / °F or °C	AIR	TRACK
QUALIFYING POSITION	5	BEST LAPTIME /sec	FINAL POSITION	10
RACE LENGTH /minutes				

TRACK CONDITION	<input type="checkbox"/> CARPET	<input checked="" type="checkbox"/> ASPHALT
<input type="checkbox"/> TECHNICAL	<input checked="" type="checkbox"/> MIXED	<input type="checkbox"/> FAST
TRACTION	<input type="checkbox"/> LOW	<input checked="" type="checkbox"/> MEDIUM
	<input type="checkbox"/> HIGH	

FRONT	REAR
TRANSMISSION	

SOLID AXLE	<input checked="" type="checkbox"/> YES	BALL DIFFERENTIAL	<input type="checkbox"/> YES
SOLID ONE WAY DIFF.	<input type="checkbox"/> YES		
ONE WAY DIFFERENTIAL	<input type="checkbox"/> YES		
GEAR DIFFERENTIAL	<input type="checkbox"/> YES	GEAR DIFFERENTIAL	<input checked="" type="checkbox"/> YES
OIL		OIL	3,000 /cst

PINION / T	28	SPUR GEAR / T	110
FINAL DRIVE RATIO	3.9285714285714	ROLLOUT	NaN

FRONT	REAR	
2.3	XRAY SPRINGS	2.3
400	OIL / CST	350
	LENGTH /mm	
	PRELOAD /mm	
10	REBOUND %	10

<input type="checkbox"/> YES	<input checked="" type="checkbox"/> NO	FOAM INSERTS	<input type="checkbox"/> YES	<input checked="" type="checkbox"/> NO
<input type="checkbox"/> YES	<input checked="" type="checkbox"/> NO	O-RING ON SHAFT	<input type="checkbox"/> YES	<input checked="" type="checkbox"/> NO

<input type="checkbox"/> 3 HOLES	<input checked="" type="checkbox"/> 4 HOLES	PISTONS	<input type="checkbox"/> 3 HOLES	<input checked="" type="checkbox"/> 4 HOLES
		1.0mm		
		1.1mm		
		1.2mm		
		OTHERS		

1.4	THICKNESS/mm	ANTI-ROLL BAR	THICKNESS/mm	1.2
-----	--------------	---------------	--------------	-----

Team Powers 34R	TIRES	Team Powers 34R
	INSERTS	
LG1/LG2	ADDITIVE	LG1/LG2
	ADDITIVE TIMING	



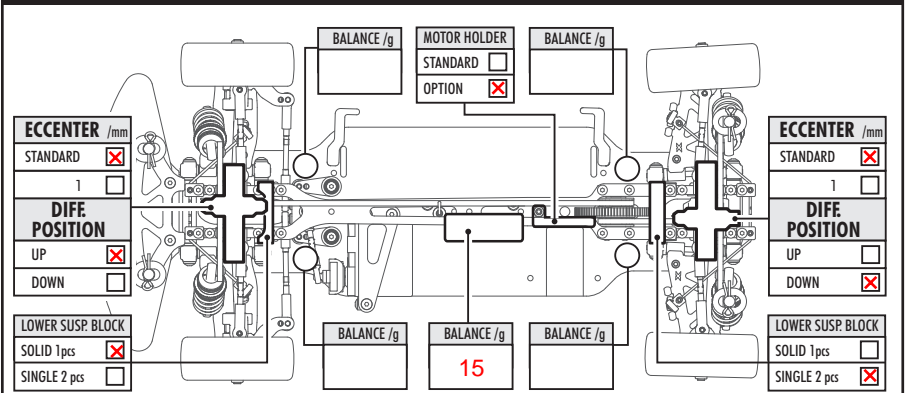
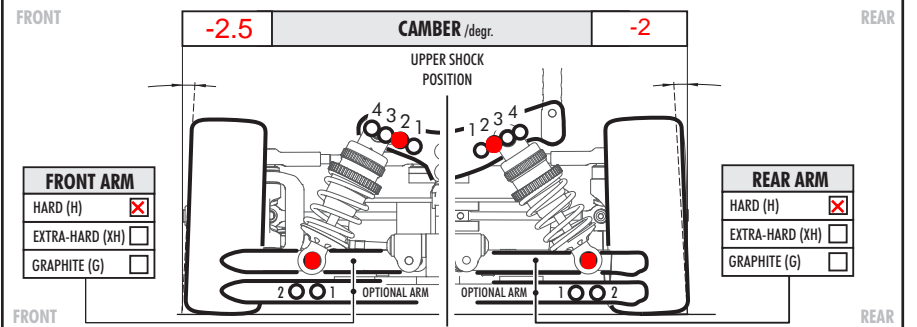
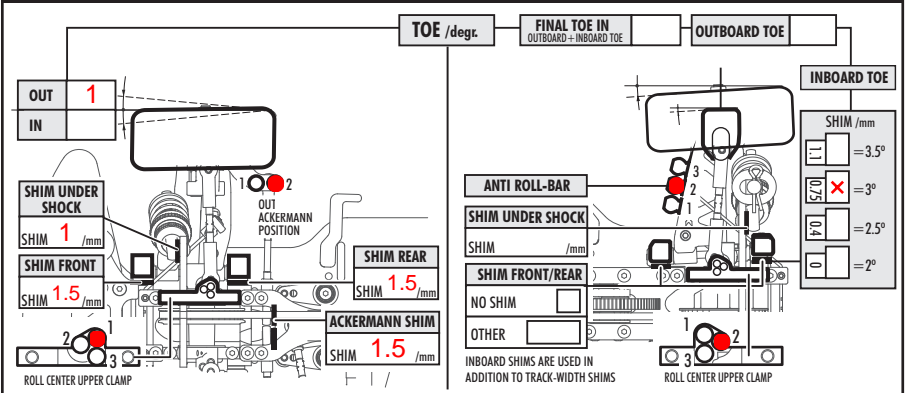
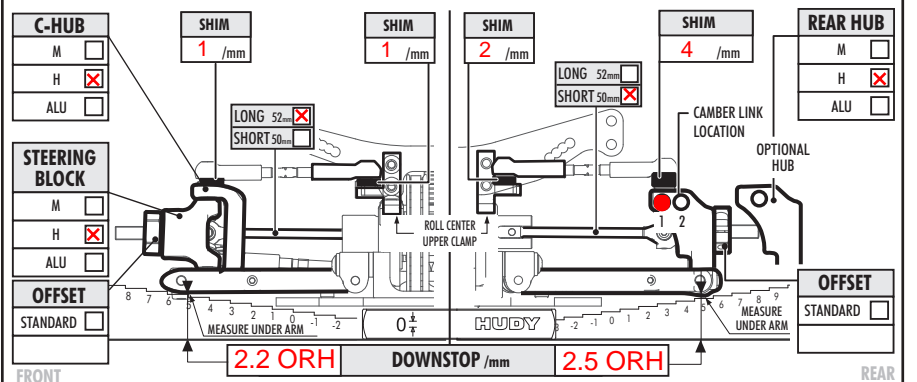
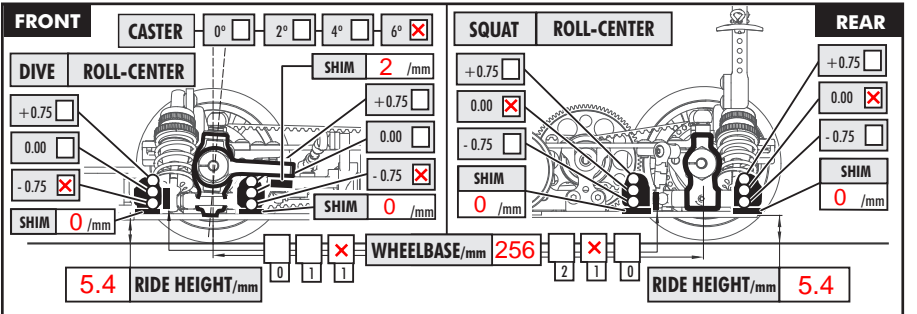
WHEELS			
S	M	H	HARDNESS
<input type="checkbox"/>	<input type="checkbox"/>	<input type="checkbox"/>	S
<input type="checkbox"/>	<input type="checkbox"/>	<input type="checkbox"/>	M
<input type="checkbox"/>	<input type="checkbox"/>	<input type="checkbox"/>	H

MOTOR	Reedy 5.5	TIMING	25*
ROTOR	Std	ARMATURE	

ESC	SP Reventon Pro	BATTERIES	SMC 7200
-----	-----------------	-----------	----------

BODY	LTC-R	WING	Std
------	-------	------	-----

● - APPLIED S-SOFT M-MEDIUM H-HARD



COMMENTS
 Car was very good...but the mains were brutal. I was also running 2mm shims under the steering posts.
 Cleaned Tires with LG1 and then sauced with LG2 for 15 minutes. Wipe tires very well before going on the track.
 Team Powers Tires were best on third or fourth run. Overall the tires felt inconsistent almost every run.