

SET-UP SHEET

XRAY T4

RACE	XRAY Challenge		
TRACK	HUDY Arena Outdoor		
NAME	Alexander Hagberg		
CITY / COUNTRY	Trencin	Slovakia	
CONTACT	alexander.hagberg@gmail.com		

DATE	06/05/2013	TEMPERATURE / °F or °C	AIR	20	TRACK
------	------------	------------------------	-----	----	-------

QUALIFYING POSITION	BEST LAPTIME /sec	FINAL POSITION	RACE LENGTH /minutes
1	18.1	1	5

TRACK CONDITION	<input type="checkbox"/> CARPET	<input checked="" type="checkbox"/> ASPHALT	
<input type="checkbox"/> TECHNICAL	<input type="checkbox"/> MIXED	<input checked="" type="checkbox"/> FAST	
TRACTION	<input type="checkbox"/> LOW	<input checked="" type="checkbox"/> MEDIUM	<input type="checkbox"/> HIGH

FRONT	REAR
TRANSMISSION	

SOLID AXLE	<input type="checkbox"/> YES	BALL DIFFERENTIAL	<input type="checkbox"/> YES
SOLID ONE WAY DIFF.	<input type="checkbox"/> YES		
ONE WAY DIFFERENTIAL	<input type="checkbox"/> YES		

GEAR DIFFERENTIAL	<input type="checkbox"/> YES	GEAR DIFFERENTIAL	<input checked="" type="checkbox"/> YES
OIL	putty	OIL	5000 /cst

PINION / T	28	SPUR GEAR / T	112
FINAL DRIVE RATIO	4	ROLLOUT	NaN

FRONT	REAR	
2.5-2.8	XRAY SPRINGS	2.5

350	OIL / CST	350
	LENGTH /mm	
	PRELOAD /mm	
0	REBOUND %	0

<input type="checkbox"/> YES	<input checked="" type="checkbox"/> NO	FOAM INSERTS	<input type="checkbox"/> YES	<input checked="" type="checkbox"/> NO
<input type="checkbox"/> YES	<input checked="" type="checkbox"/> NO	O-RING ON SHAFT	<input type="checkbox"/> YES	<input checked="" type="checkbox"/> NO

<input type="checkbox"/> 3 HOLES	<input checked="" type="checkbox"/> 4 HOLES	PISTONS	1.0mm	<input type="checkbox"/> 3 HOLES	<input checked="" type="checkbox"/> 4 HOLES
			1.1mm		
			1.2mm		
		OTHERS			

1.3	THICKNESS/mm	ANTI-ROLL BAR	THICKNESS/mm	1.2
-----	--------------	---------------	--------------	-----

Ride Rex 34	TIRES	Ride Rex 34
AME	INSERTS	AME
20	ADDITIVE	20
	ADDITIVE TIMING	

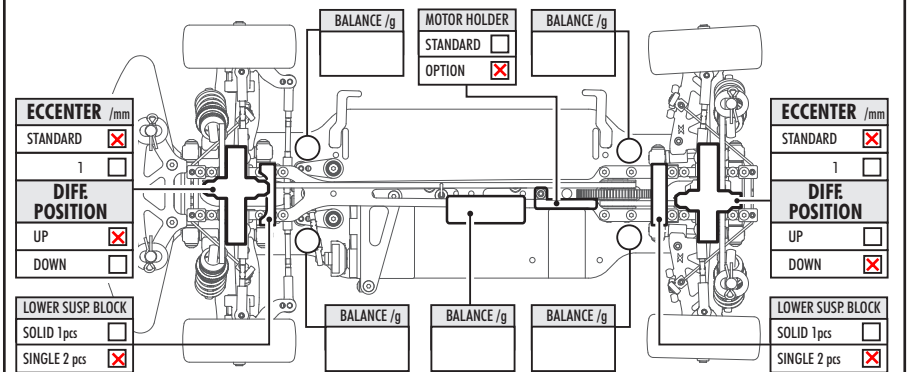
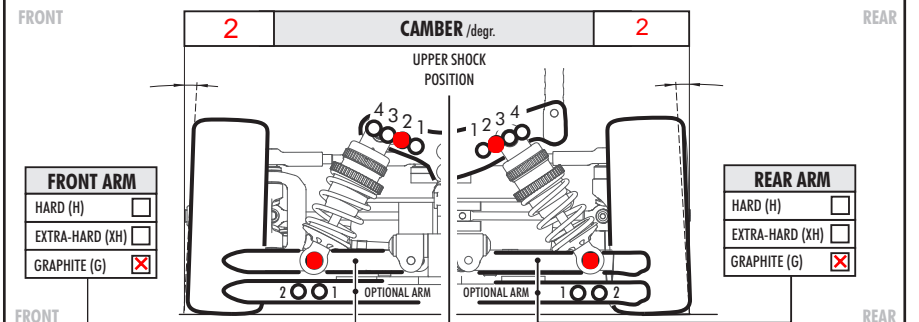
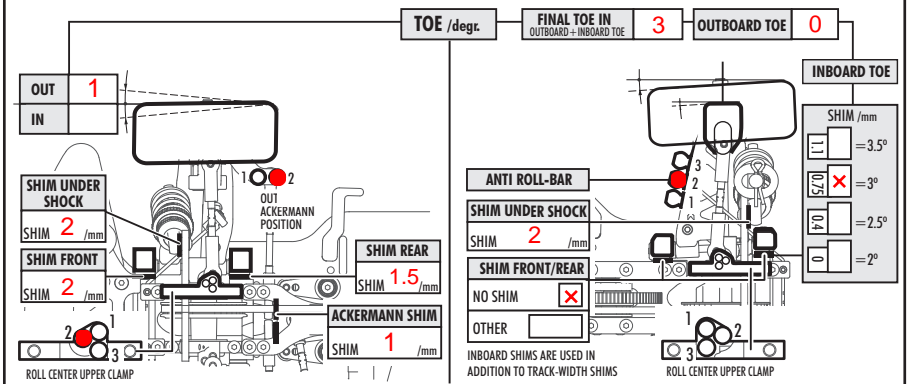
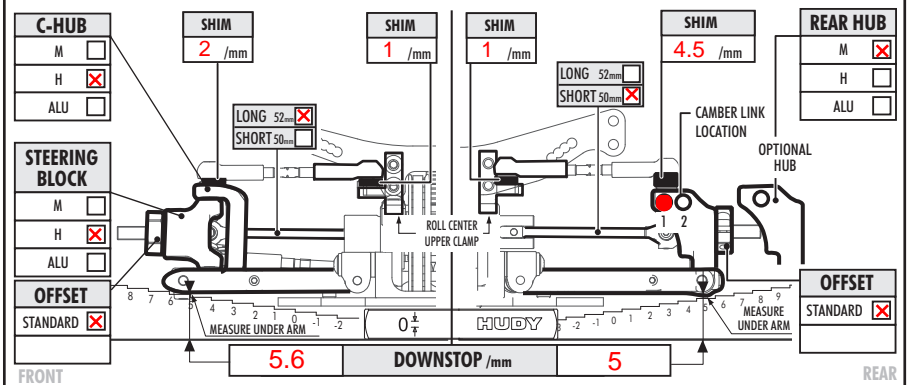
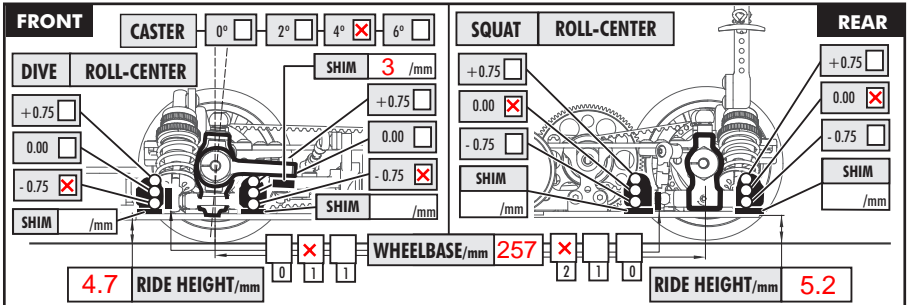
FRONT LEFT	FRONT RIGHT	REAR LEFT	REAR RIGHT
TREATED AREA			

WHEELS						
S	M	H	HARDNESS			
<input type="checkbox"/>	<input type="checkbox"/>	<input type="checkbox"/>	S	M	H	<input type="checkbox"/>

MOTOR	ORCA TX 4.5T	TIMING	STD
ROTOR	12.5	ARMATURE	

ESC	ORCA VX	BATTERIES	ORCA INFINITE 6000
BODY	LTC-R LW PF	WING	MR33

<input checked="" type="checkbox"/> - APPLIED	S-SOFT	M-MEDIUM	H-HARD
---	--------	----------	--------



COMMENTS

HUDY alu servo horn

ECS driveshafts in front and rear