

# SET-UP SHEET

# XRAY T4

RACE	ORCA Cup Final		
TRACK	Kota Raja		
NAME	Alexander Hagberg		
CITY / COUNTRY	Kuala Lumpur	Malaysia	
CONTACT	alexander.hagberg@gmail.com		

DATE	26/11/2012	TEMPERATURE / °F or °C	AIR	30	TRACK	50
------	------------	------------------------	-----	----	-------	----

QUALIFYING POSITION	BEST LAPTIME /sec	FINAL POSITION	RACE LENGTH /minutes
1	15.8	1	5

TRACK CONDITION	<input type="checkbox"/> CARPET	<input checked="" type="checkbox"/> ASPHALT	
<input type="checkbox"/> TECHNICAL	<input checked="" type="checkbox"/> MIXED	<input type="checkbox"/> FAST	
TRACTION	<input checked="" type="checkbox"/> LOW	<input type="checkbox"/> MEDIUM	<input type="checkbox"/> HIGH

FRONT		REAR	
TRANSMISSION			
SOLID AXLE	<input checked="" type="checkbox"/> YES	BALL DIFFERENTIAL	<input type="checkbox"/> YES
SOLID ONE WAY DIFF.	<input type="checkbox"/> YES		
ONE WAY DIFFERENTIAL	<input type="checkbox"/> YES		
GEAR DIFFERENTIAL	<input type="checkbox"/> YES	GEAR DIFFERENTIAL	<input checked="" type="checkbox"/> YES
OIL		OIL	2000 /cst
PINION / T	32	SPUR GEAR / T	106
FINAL DRIVE RATIO	3.3125	ROLLOUT	0

FRONT		REAR	
2.7	XRAY SPRINGS	2.5	
250	OIL / CST	250	
	LENGTH /mm		
25	PRELOAD /mm		
	REBOUND %	25	

<input type="checkbox"/> YES	<input checked="" type="checkbox"/> NO	FOAM INSERTS	<input type="checkbox"/> YES	<input checked="" type="checkbox"/> NO
<input type="checkbox"/> YES	<input checked="" type="checkbox"/> NO	O-RING ON SHAFT	<input type="checkbox"/> YES	<input checked="" type="checkbox"/> NO
<input checked="" type="checkbox"/> 3 HOLES	<input type="checkbox"/> 4 HOLES	PISTONS	<input type="checkbox"/> 3 HOLES	<input checked="" type="checkbox"/> 4 HOLES
		1.0mm		
		1.1mm		
		1.2mm		
		OTHERS		

1.3	THICKNESS/mm	ANTI-ROLL BAR	THICKNESS/mm	1.2
-----	--------------	---------------	--------------	-----

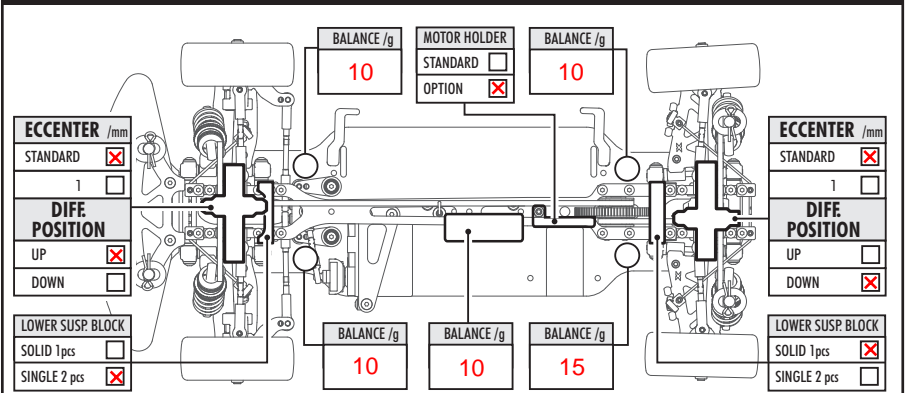
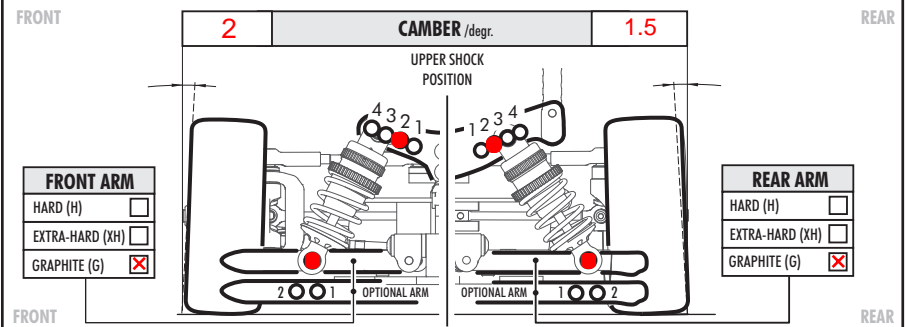
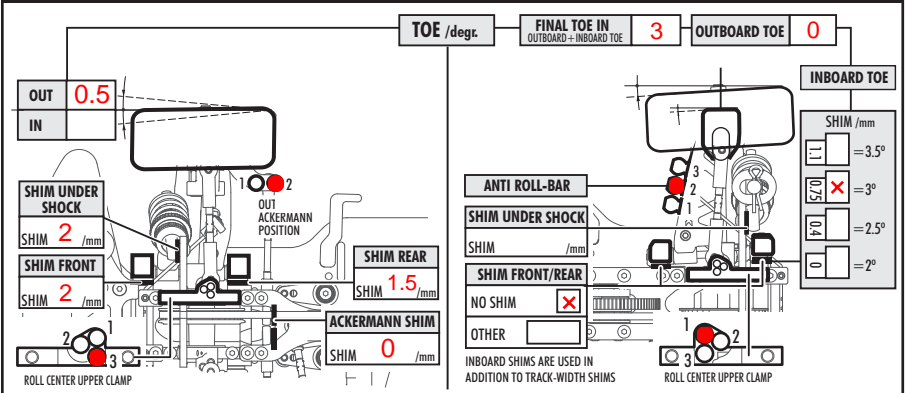
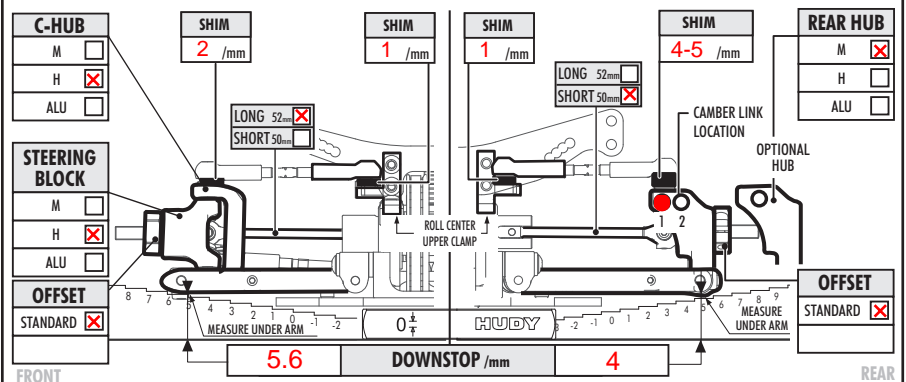
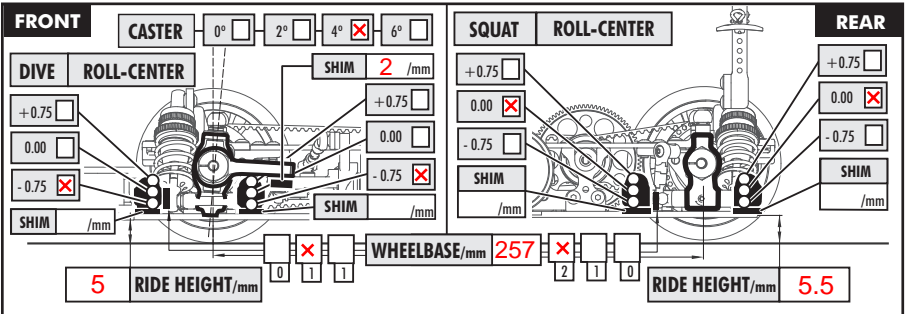
Ride 36	TIRES	Ride 36
Blue	INSERTS	Blue
15	ADDITIVE	
	ADDITIVE TIMING	15

FRONT LEFT	FRONT RIGHT	REAR LEFT	REAR RIGHT
TREATED AREA			

WHEELS						
S	M	H	HARDNESS			
<input type="checkbox"/>	<input type="checkbox"/>	<input type="checkbox"/>	S	M	H	<input type="checkbox"/>

MOTOR	ORCA TX 13.5T	TIMING	-1
ROTOR	12.5	ARMATURE	
ESC	ORCA VX	BATTERIES	ORCA INFINITE 6500
BODY	LTC-R PF	WING	MR33

●  - APPLIED S-SOFT M-MEDIUM H-HARD



COMMENTS  
**HUDY** Alu servo horn for KO Propo  
**ECS** driveshafts front and rear