

SET-UP SHEET

XRAY T4

RACE	DHI- Cup 2013		
TRACK	Odense		
NAME	Adrian Berntsen		
CITY / COUNTRY	Spydeberg	Norway	
CONTACT			

DATE	14/01/2013	TEMPERATURE / °F or °C	AIR	TRACK
------	------------	------------------------	-----	-------

QUALIFYING POSITION	BEST LAP TIME /sec	FINAL POSITION	RACE LENGTH /minutes
1	12,5	1	5

TRACK CONDITION	<input checked="" type="checkbox"/> CARPET	<input type="checkbox"/> ASPHALT	
	<input type="checkbox"/> TECHNICAL	<input type="checkbox"/> FAST	
TRACTION	<input type="checkbox"/> LOW	<input checked="" type="checkbox"/> MEDIUM	<input type="checkbox"/> HIGH

FRONT	REAR
TRANSMISSION	

SOLID AXLE	<input checked="" type="checkbox"/> YES	BALL DIFFERENTIAL	<input type="checkbox"/> YES
SOLID ONE WAY DIFF.	<input type="checkbox"/> YES		
ONE WAY DIFFERENTIAL	<input type="checkbox"/> YES		

GEAR DIFFERENTIAL	<input type="checkbox"/> YES	GEAR DIFFERENTIAL	<input checked="" type="checkbox"/> YES
OIL		OIL	3000 /cst

PINION / T	24	SPUR GEAR / T	112
FINAL DRIVE RATIO	4.6666666666667	ROLLOUT	NaN

FRONT	REAR	
2,5	XRAY SPRINGS	2,5
300	OIL / CST	400
0	LENGTH /mm	
	PRELOAD /mm	0
	REBOUND %	

<input type="checkbox"/> YES	<input checked="" type="checkbox"/> NO	FOAM INSERTS	<input type="checkbox"/> YES	<input checked="" type="checkbox"/> NO
<input type="checkbox"/> YES	<input checked="" type="checkbox"/> NO	O-RING ON SHAFT	<input type="checkbox"/> YES	<input checked="" type="checkbox"/> NO

<input type="checkbox"/> 3 HOLES	<input checked="" type="checkbox"/> 4 HOLES	PISTONS	1.0mm	<input type="checkbox"/> 3 HOLES	<input checked="" type="checkbox"/> 4 HOLES
			1.1mm		
			1.2mm		
		OTHERS			

1,4	THICKNESS/mm	ANTI-ROLL BAR	THICKNESS/mm	1,2
-----	--------------	---------------	--------------	-----

Lrp	TIRES	Lrp
AME	INSERTS	AME
20min	ADDITIVE	20min
	ADDITIVE TIMING	

FRONT LEFT	FRONT RIGHT	REAR LEFT	REAR RIGHT
TREATED AREA			

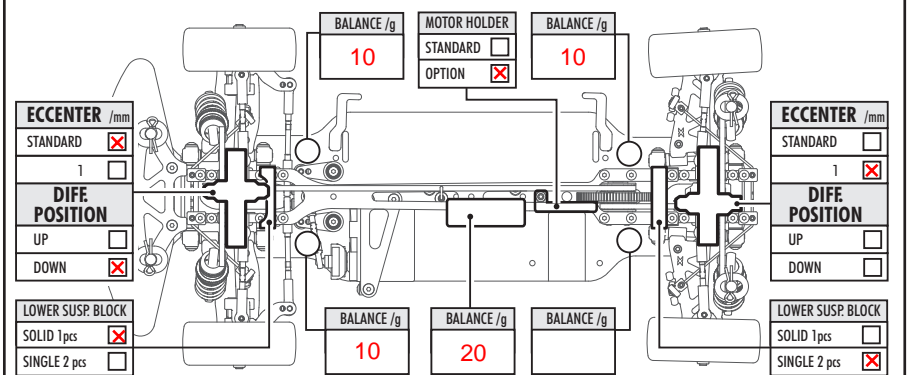
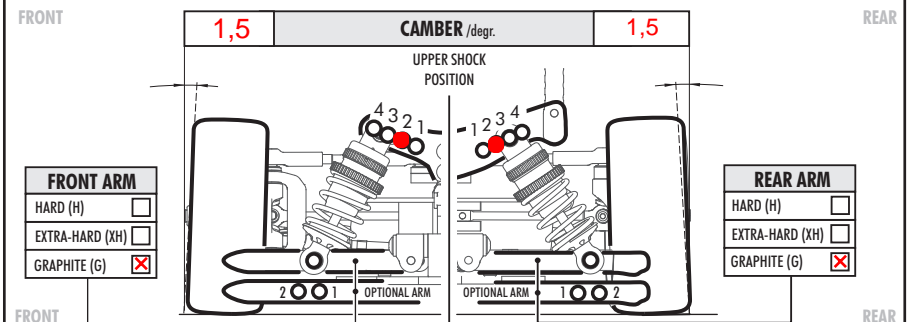
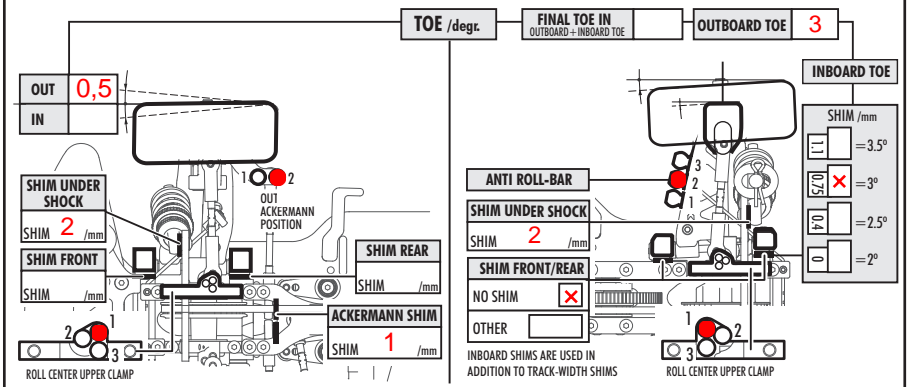
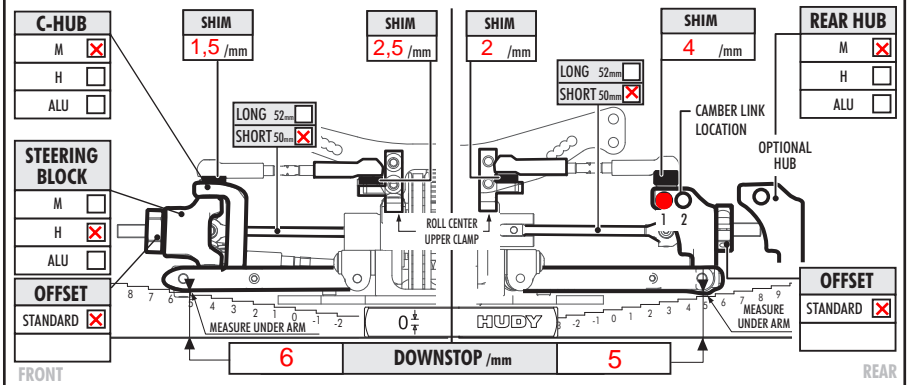
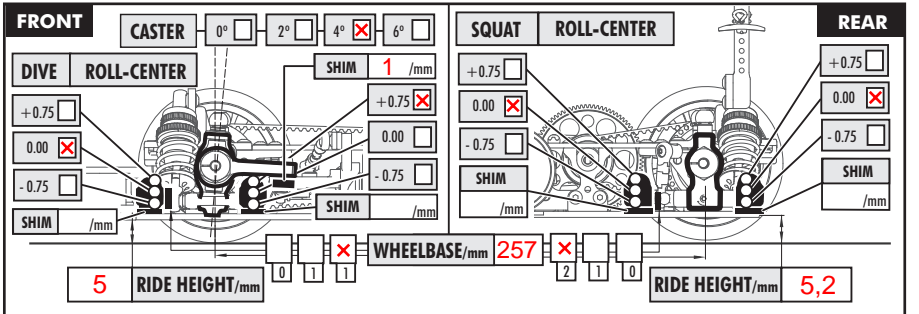
WHEELS						
S	M	H	HARDNESS			
<input type="checkbox"/>	<input type="checkbox"/>	<input type="checkbox"/>	S	M	H	<input type="checkbox"/>

MOTOR	Orca	TIMING	
ROTOR		ARMATURE	

ESC	Orca	BATTERIES	Orca
-----	------	-----------	------

BODY	Pf Mazda6 Speed	WING	MR33
------	-----------------	------	------

● - APPLIED S-SOFT M-MEDIUM H-HARD



COMMENTS
ECS Drive Shaft front and rear