

SET-UP SHEET

XRAY T4'14

RACE	Greek Touring Series		
TRACK	FRT		
NAME	Nikos Georgiadis		
CITY / COUNTRY	Athens	Greece	
CONTACT			

DATE	18/09/2014	TEMPERATURE / °F or °C	AIR 30	TRACK 45
------	------------	------------------------	--------	----------

QUALIFYING POSITION	BEST LAP TIME /sec	FINAL POSITION	RACE LENGTH /minutes
1	18.5	1	5

TRACK CONDITION	<input type="checkbox"/> CARPET	<input checked="" type="checkbox"/> ASPHALT	
<input type="checkbox"/> TECHNICAL	<input type="checkbox"/> MIXED	<input checked="" type="checkbox"/> FAST	
TRACTION	<input type="checkbox"/> LOW	<input checked="" type="checkbox"/> MEDIUM	<input type="checkbox"/> HIGH

FRONT	REAR
TRANSMISSION	

SOLID AXLE	<input checked="" type="checkbox"/> YES	BALL DIFFERENTIAL	<input type="checkbox"/> YES
SOLID ONE WAY DIFF.	<input type="checkbox"/> YES		
ONE WAY DIFFERENTIAL	<input type="checkbox"/> YES		

GEAR DIFFERENTIAL	<input type="checkbox"/> YES	GEAR DIFFERENTIAL	<input checked="" type="checkbox"/> YES
OIL		OIL	5000 /Cst

PINION / T	28	SPUR GEAR / T	112
FINAL DRIVE RATIO	4	ROLLOUT	0

FRONT	REAR
-------	------

2.5	XRAY SPRINGS	2.5
-----	--------------	-----

450	OIL / CST	450
-----	-----------	-----

	LENGTH /mm	
--	------------	--

	PRELOAD /mm	
--	-------------	--

0%	REBOUND %	0%
----	-----------	----

<input type="checkbox"/> YES <input checked="" type="checkbox"/> NO	FOAM INSERTS	<input type="checkbox"/> YES <input checked="" type="checkbox"/> NO
<input type="checkbox"/> YES <input checked="" type="checkbox"/> NO	O-RING ON SHAFT	<input type="checkbox"/> YES <input checked="" type="checkbox"/> NO

<input type="checkbox"/> 3 HOLES	PISTONS	<input type="checkbox"/> 3 HOLES
<input checked="" type="checkbox"/> 4 HOLES	1.0mm	<input checked="" type="checkbox"/> 4 HOLES
	1.1mm	
	1.2mm	
	OTHERS	

1.3	THICKNESS/mm	ANTI-ROLL BAR	THICKNESS/mm	1.4
-----	--------------	---------------	--------------	-----

HPI	TIRES	HPI
-----	-------	-----

HPI	INSERTS	HPI
-----	---------	-----

LRP	ADDITIVE	LRP
-----	----------	-----

20min	ADDITIVE TIMING	20min
-------	-----------------	-------

FRONT LEFT	FRONT RIGHT	REAR LEFT	REAR RIGHT
TREATED AREA			

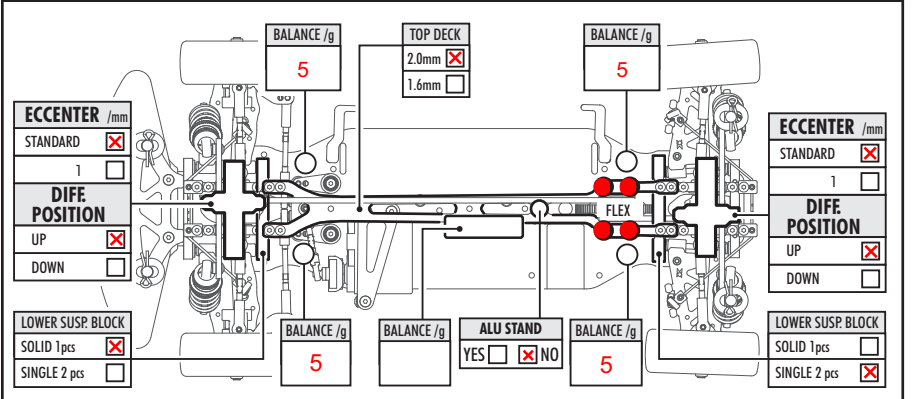
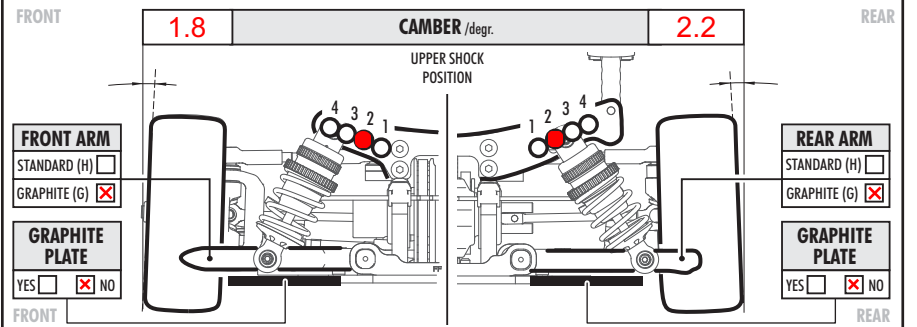
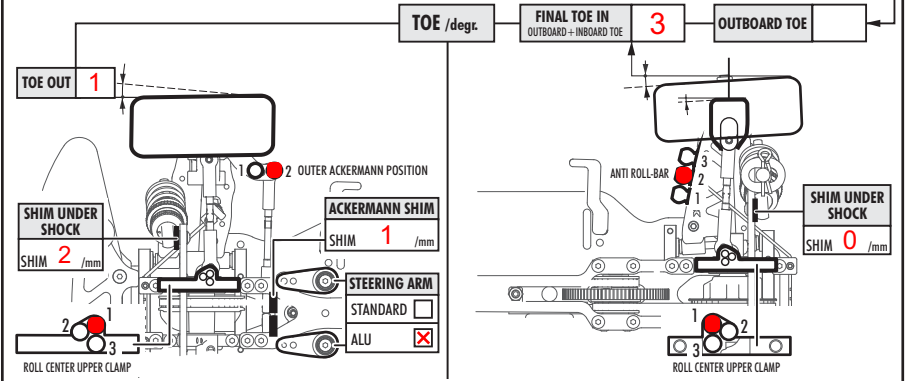
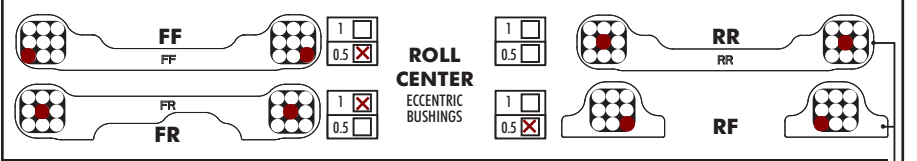
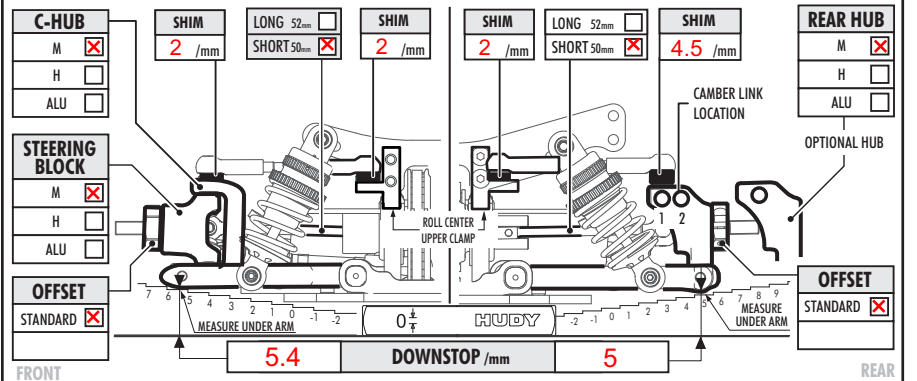
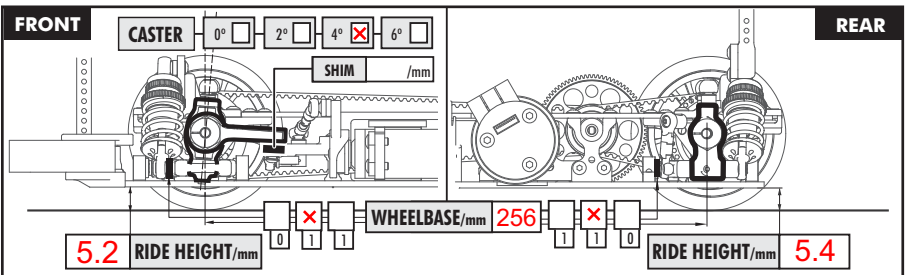
HPI	WHEELS	HPI
<input type="checkbox"/> S <input checked="" type="checkbox"/> M <input type="checkbox"/> H	HARDNESS	<input type="checkbox"/> S <input checked="" type="checkbox"/> M <input type="checkbox"/> H

MOTOR	Orca TX 4.5T	TIMING	2
ROTOR	12.5	ARMATURE	

ESC	Orca VXX	BATTERIES	Infinite 6000
-----	----------	-----------	---------------

BODY	LTC-R	WING	MR33
------	-------	------	------

- APPLIED S-SOFT M-MEDIUM H-HARD



COMMENTS

VER. 6.0 © XRAY