

SET-UP SHEET

XRAY T4'14

RACE	2014 ACT Indoor Titles		
TRACK	EPIC, Fitzroy		
NAME	Anonymous		
CITY / COUNTRY	Canberra	Australia	
CONTACT	mark.wallin@actmrcr.org.au		

DATE	29/06/2014	TEMPERATURE / °F or °C	AIR	10c	TRACK	10c
------	------------	------------------------	-----	-----	-------	-----

QUALIFYING POSITION	BEST LAPTIME /sec	FINAL POSITION	RACE LENGTH /minutes
3		1	

TRACK CONDITION	<input type="checkbox"/> CARPET	<input type="checkbox"/> ASPHALT	
<input type="checkbox"/> TECHNICAL	<input checked="" type="checkbox"/> MIXED	<input type="checkbox"/> FAST	
TRACTION	<input type="checkbox"/> LOW	<input checked="" type="checkbox"/> MEDIUM	<input type="checkbox"/> HIGH

FRONT	REAR
TRANSMISSION	

SOLID AXLE	<input type="checkbox"/> YES	BALL DIFFERENTIAL	<input type="checkbox"/> YES
SOLID ONE WAY DIFF.	<input type="checkbox"/> YES		
ONE WAY DIFFERENTIAL	<input type="checkbox"/> YES		

GEAR DIFFERENTIAL	<input type="checkbox"/> YES	GEAR DIFFERENTIAL	<input checked="" type="checkbox"/> YES
OIL	20000cst	OIL	1000cst /Cst

PINION / T	47	SPUR GEAR / T	96
FINAL DRIVE RATIO	2.0425531914894	ROLLOUT	NaN

FRONT	REAR
-------	------

	XRAY SPRINGS	
450	OIL / CST	450
	LENGTH /mm	
	PRELOAD /mm	
	REBOUND %	

<input checked="" type="checkbox"/> YES	<input type="checkbox"/> NO	FOAM INSERTS	<input checked="" type="checkbox"/> YES	<input type="checkbox"/> NO
<input type="checkbox"/> YES	<input checked="" type="checkbox"/> NO	O-RING ON SHAFT	<input type="checkbox"/> YES	<input checked="" type="checkbox"/> NO

<input checked="" type="checkbox"/> 3 HOLES	<input type="checkbox"/> 4 HOLES	PISTONS	<input checked="" type="checkbox"/> 3 HOLES	<input checked="" type="checkbox"/> 4 HOLES
		1.0mm		
		1.1mm		
		1.2mm		
		OTHERS		

1.6	ANTI-ROLL BAR	1.2
	THICKNESS/mm	

Capricorn 40	TIRES	Capricorn 37
	INSERTS	
	ADDITIVE	
	ADDITIVE TIMING	

FRONT LEFT	FRONT RIGHT	REAR LEFT	REAR RIGHT
TREATED AREA			

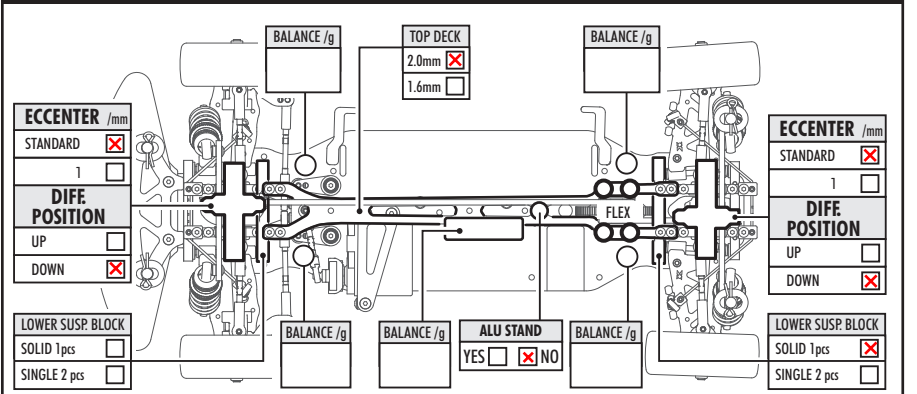
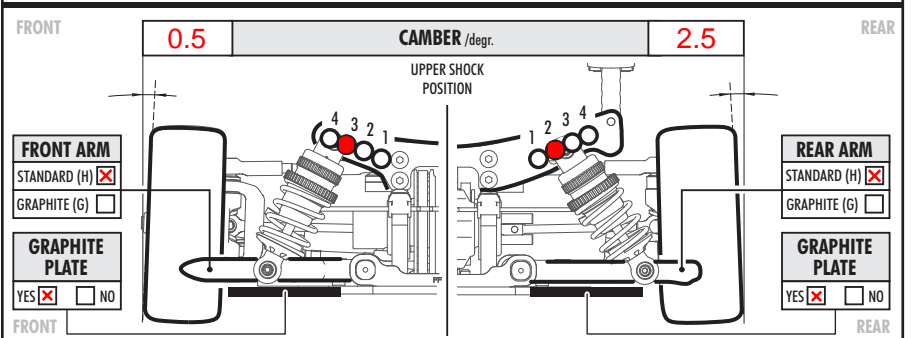
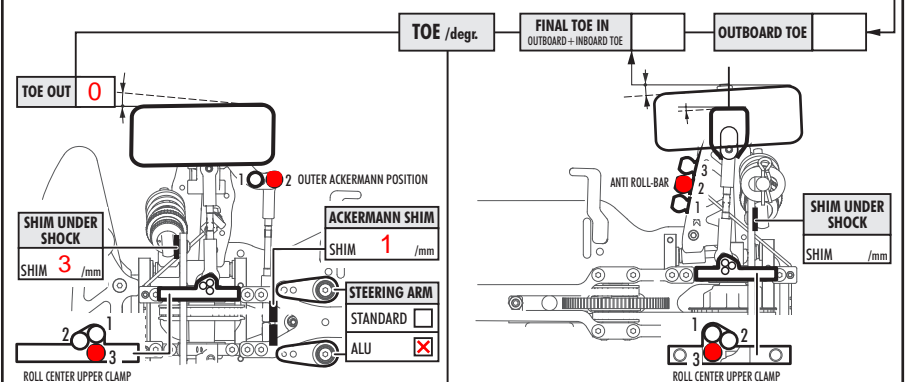
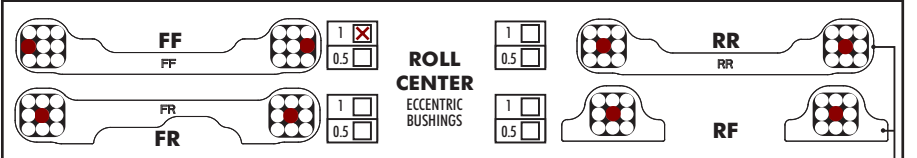
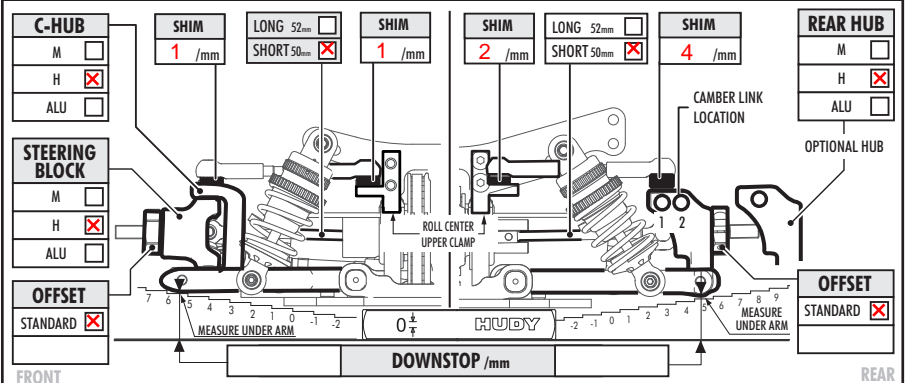
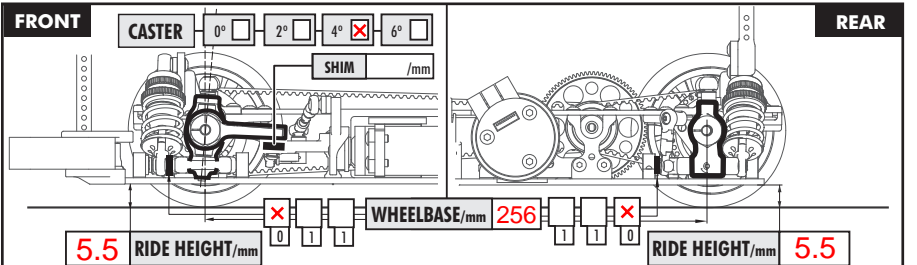
Carbon	WHEELS	Carbon
S <input type="checkbox"/> M <input type="checkbox"/> H <input checked="" type="checkbox"/>	HARDNESS	S <input type="checkbox"/> M <input type="checkbox"/> H <input checked="" type="checkbox"/>

MOTOR	Fantom v4 13.5	TIMING	20
ROTOR	12.3	ARMATURE	

ESC	Nosram	BATTERIES	Nosram 7700
-----	--------	-----------	-------------

BODY	Mazda 6	WING	std
------	---------	------	-----

- APPLIED S-SOFT M-MEDIUM H-HARD



COMMENTS
 Carpet race meeting using foam tires. Down stops, droop and ride height tuned to give a 'chassis lift' of 1.5mm above static ride height. Roll out was set to 48mm.