

# SET-UP SHEET

# XRAY T4'14

RACE	ETS RD5 - 2013/2014		
TRACK	Mini Circuit Ville de Luxembourg		
NAME	Alexander Hagberg		
CITY / COUNTRY	Luxembourg	Luxembourg	
CONTACT	alexander.hagberg@gmail.com		

DATE	10/06/2014	TEMPERATURE / °F or °C	AIR	TRACK
------	------------	------------------------	-----	-------

QUALIFYING POSITION	BEST LAP TIME /sec	FINAL POSITION	RACE LENGTH /minutes
7	19.0	7	5

TRACK CONDITION	<input type="checkbox"/> CARPET	<input checked="" type="checkbox"/> ASPHALT	
<input type="checkbox"/> TECHNICAL	<input type="checkbox"/> MIXED	<input checked="" type="checkbox"/> FAST	
TRACTION	<input checked="" type="checkbox"/> LOW	<input type="checkbox"/> MEDIUM	<input type="checkbox"/> HIGH

FRONT	REAR
TRANSMISSION	

SOLID AXLE	<input checked="" type="checkbox"/> YES	BALL DIFFERENTIAL	<input type="checkbox"/> YES
SOLID ONE WAY DIFF.	<input type="checkbox"/> YES		
ONE WAY DIFFERENTIAL	<input type="checkbox"/> YES		

GEAR DIFFERENTIAL	<input type="checkbox"/> YES	GEAR DIFFERENTIAL	<input type="checkbox"/> YES
OIL		OIL	3000 /Cst

PINION / T	27	SPUR GEAR / T	110
FINAL DRIVE RATIO	4.0740740740741	ROLLOUT	NaN

FRONT	REAR
-------	------

2.5-2.8	XRAY SPRINGS	2.5-2.8
---------	--------------	---------

450	OIL / CST	500
-----	-----------	-----

	LENGTH /mm	
--	------------	--

	PRELOAD /mm	
--	-------------	--

10	REBOUND %	10
----	-----------	----

<input checked="" type="checkbox"/> YES	<input type="checkbox"/> NO	FOAM INSERTS	<input checked="" type="checkbox"/> YES	<input type="checkbox"/> NO
<input type="checkbox"/> YES	<input checked="" type="checkbox"/> NO	O-RING ON SHAFT	<input type="checkbox"/> YES	<input checked="" type="checkbox"/> NO

<input type="checkbox"/> 3 HOLES	<input checked="" type="checkbox"/> 4 HOLES	PISTONS	<input type="checkbox"/> 3 HOLES	<input checked="" type="checkbox"/> 4 HOLES
		1.0mm		
		1.1mm		
		1.2mm		
		OTHERS		

1.3	THICKNESS/mm	ANTI-ROLL BAR	THICKNESS/mm	1.2
-----	--------------	---------------	--------------	-----

Ride REX 34	TIRES
-------------	-------

LRP	ADDITIVE
-----	----------

	ADDITIVE TIMING
--	-----------------

FRONT LEFT	FRONT RIGHT	REAR LEFT	REAR RIGHT
TREATED AREA			

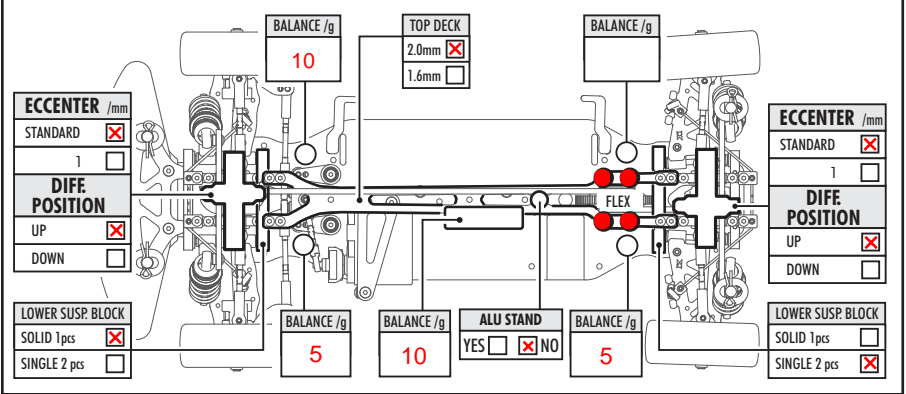
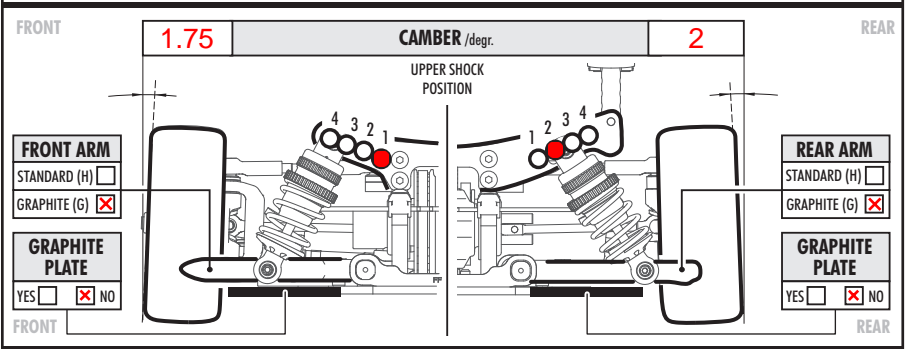
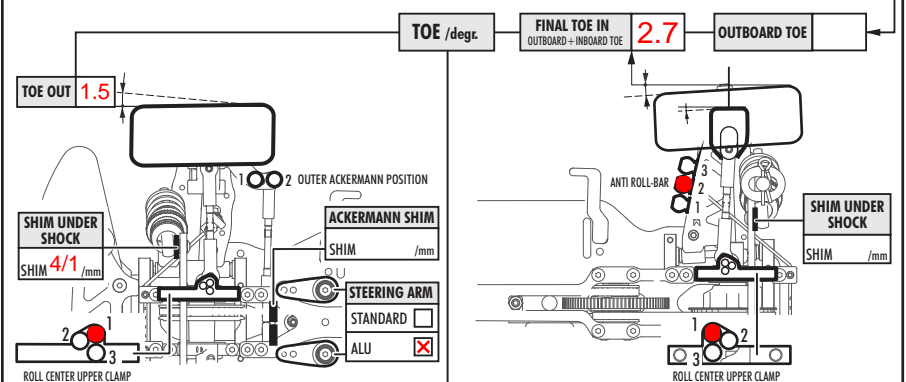
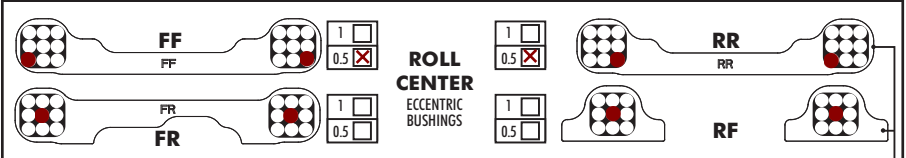
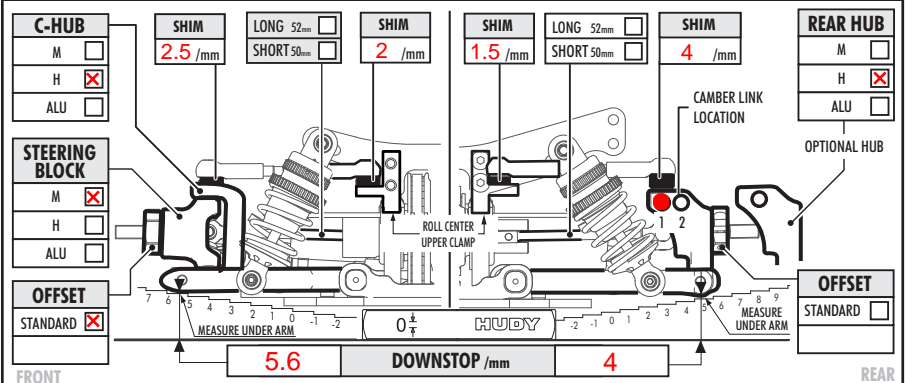
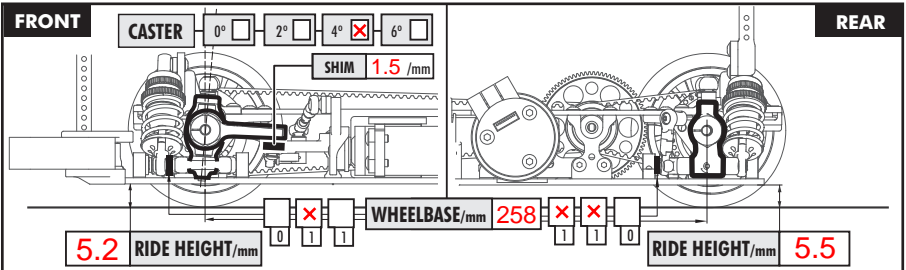
	WHEELS	
<input type="checkbox"/> S	<input type="checkbox"/> M	<input type="checkbox"/> H
	HARDNESS	
<input type="checkbox"/> S	<input type="checkbox"/> M	<input type="checkbox"/> H

MOTOR	ORCA TX 4.5T	TIMING	10
ROTOR	12.5	ARMATURE	

ESC	ORCA VXX	BATTERIES	ORCA 6200 90C
-----	----------	-----------	---------------

BODY	PF LTC-R	WING	PF Hard HD
------	----------	------	------------

- APPLIED    S-SOFT    M-MEDIUM    H-HARD



COMMENTS  
 AME servo and servo horn AMEZ.Z6D  
 ECS front driveshafts  
 Using new ARS prototype system, shimming 9/2mm. 2.75 degrees of toe.