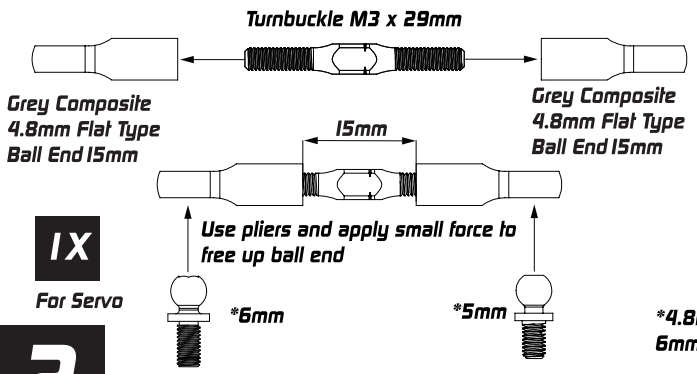
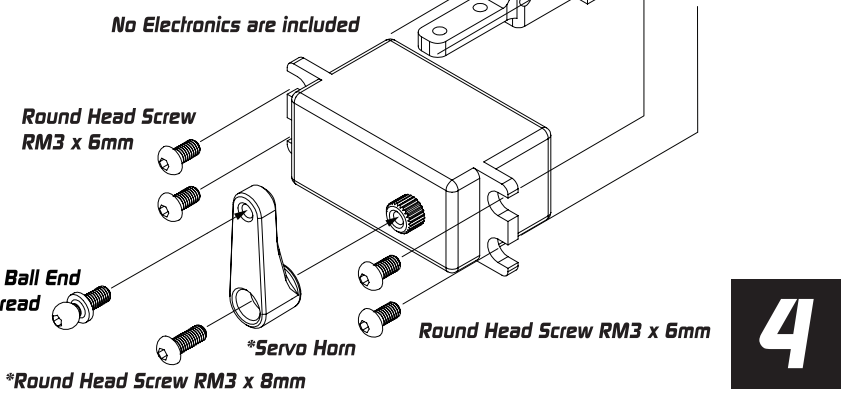


3



IX
For Servo

2

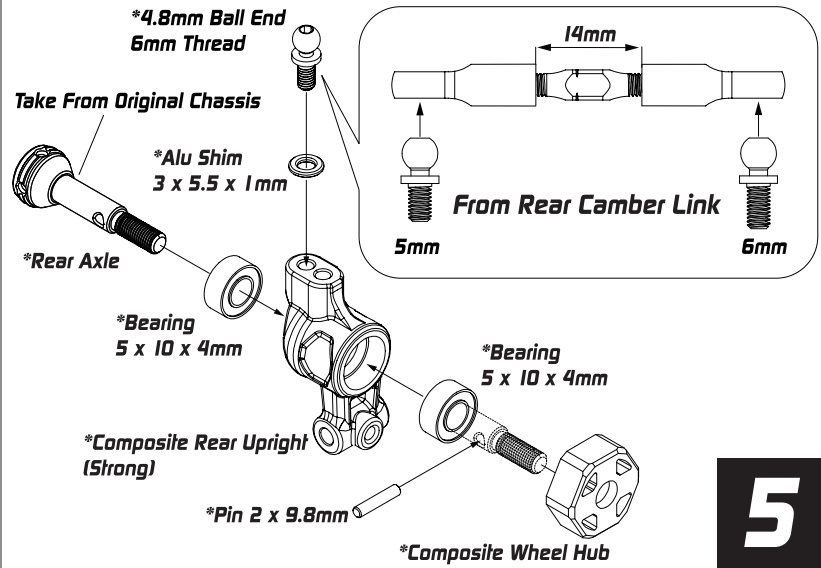


4

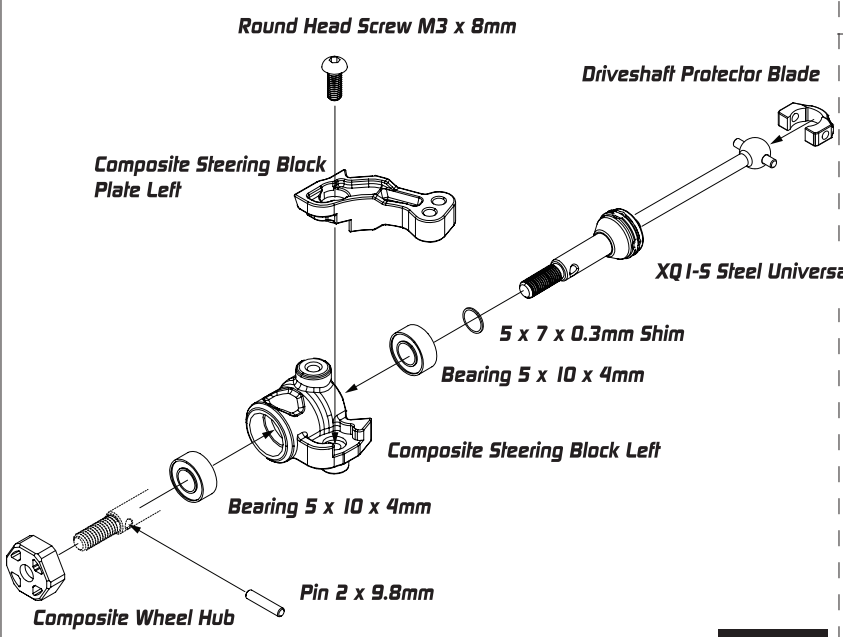
1

XPRESS XP-10829 XQ25 FWD Conversion Kit

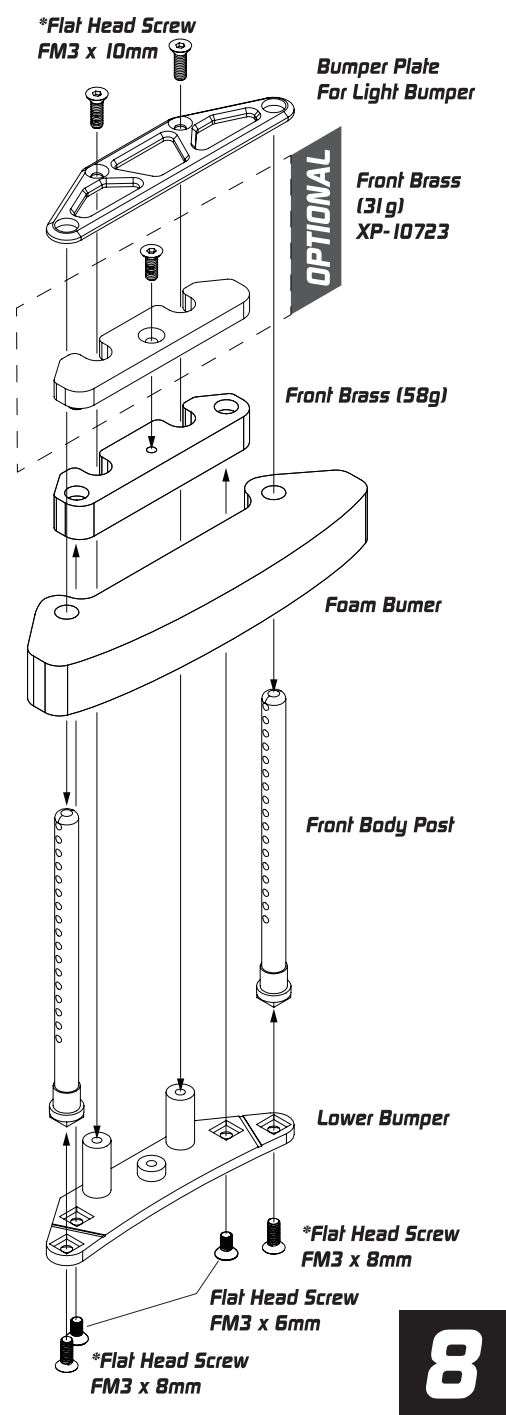
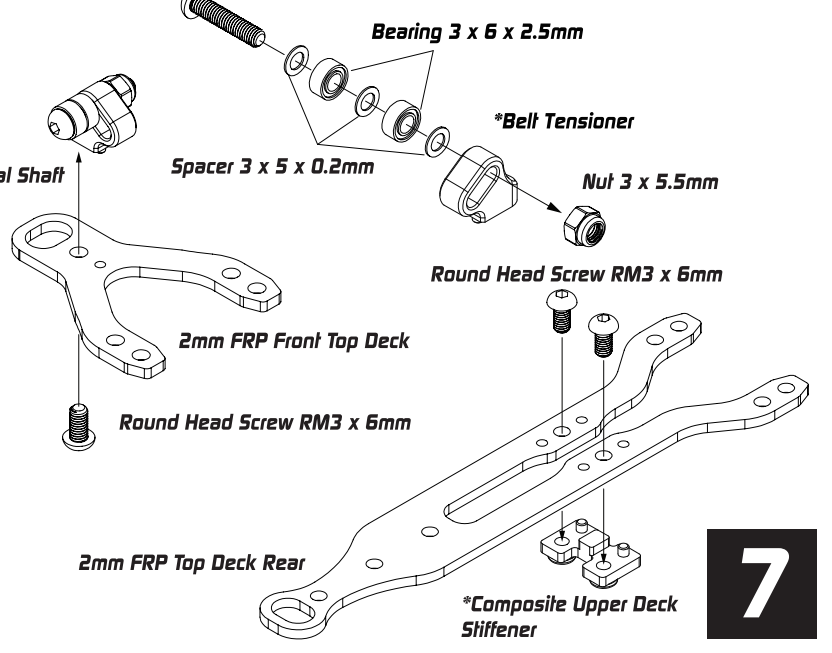
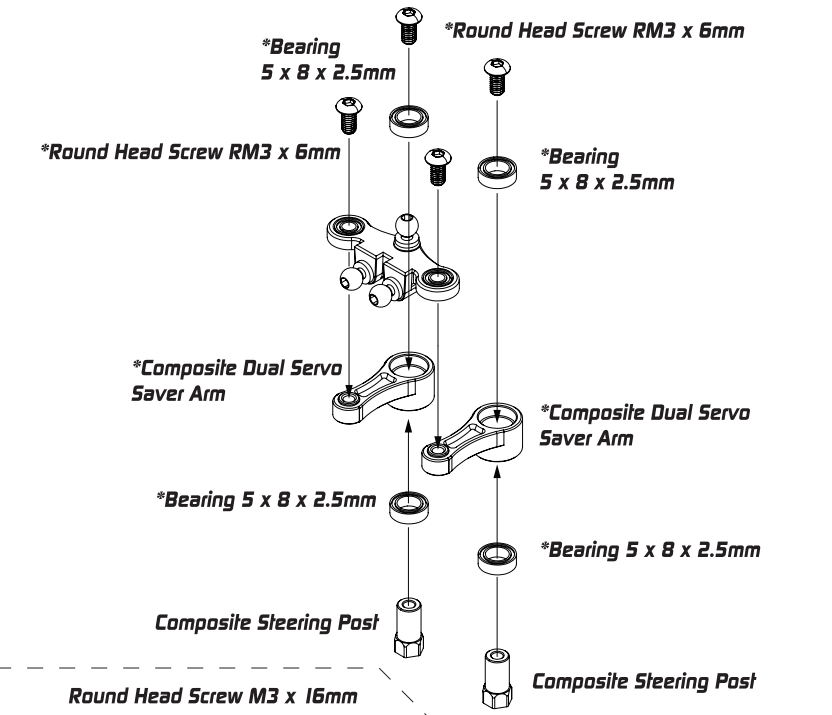
* Original Parts (Not Included)



* Assemble left and right in the same way



Following Step For XQ15 Owners Only, For XQ25 Upgrade You Can Skip



XPRESS XP-10829 XQ25 FWD Exploded View

* Original Parts (Not Included)

Low Flex Setup (Default)

Round Head Screw
RM3 x 8mm

Spacer
3 x 5 x 0.2mm

Composite
Upper Deck
Collar

Spacer
3 x 5 x 0.2mm

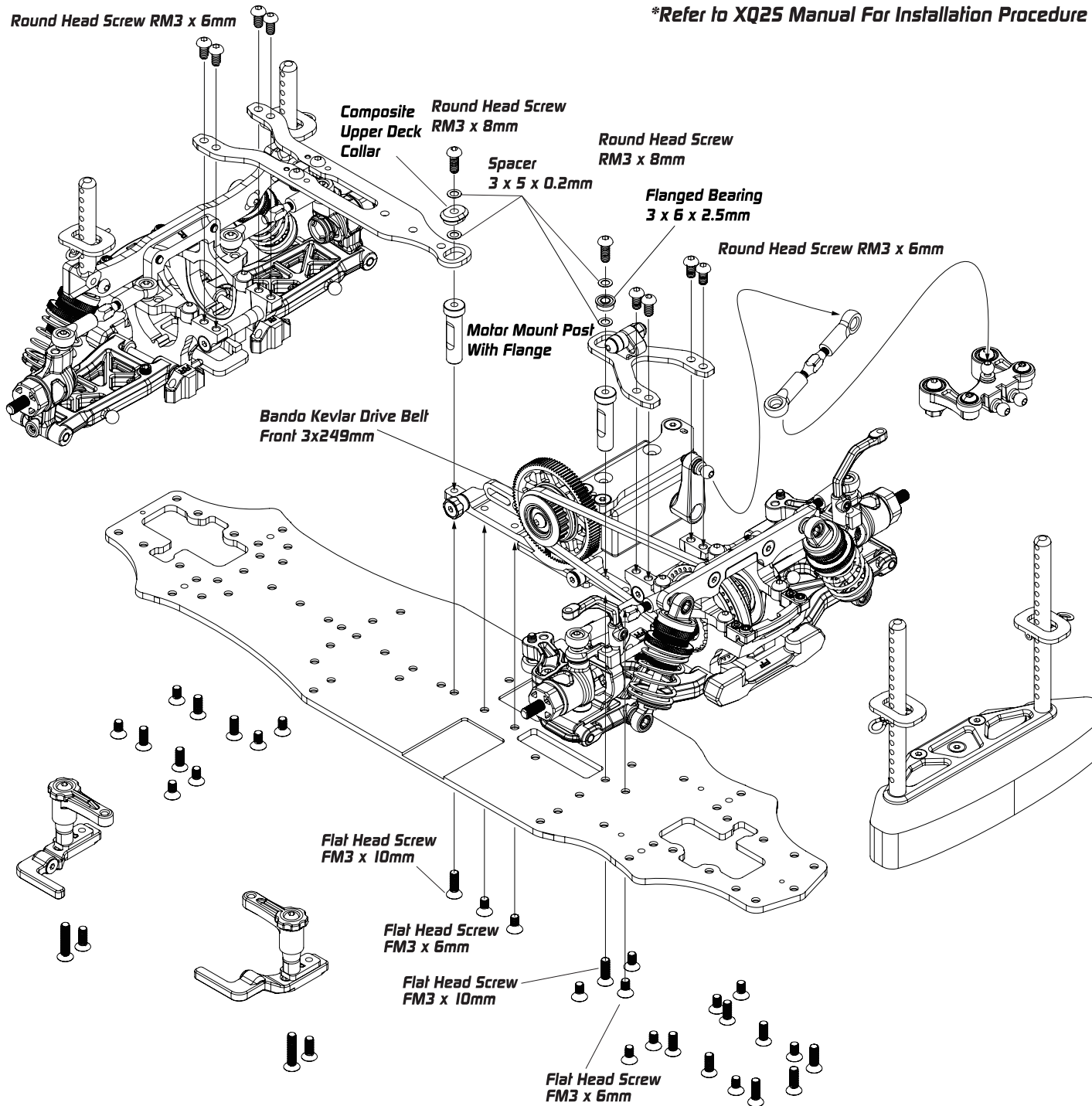
High Flex Setup

Round Head Screw
RM3 x 8mm

Spacer
3 x 5 x 0.2mm

Flanged Bearing
3 x 6 x 2.5mm

Spacer
3 x 5 x 0.2mm



No Flex Setup

Round Head Screw
RM3 x 8mm

Spacer
3 x 5 x 0.2mm

Composite
Upper Deck
Collar

Spacer
3 x 5 x 0.2mm

High Flex Setup (Default)

Round Head Screw
RM3 x 8mm

Spacer
3 x 5 x 0.2mm

Flanged Bearing
3 x 6 x 2.5mm

Spacer
3 x 5 x 0.2mm

XPRESS XP-10829 XQ25 FWD Conversion Kit

Check List

Check List						
XP-10128	Driveshaft Protector Blade	2		XP-10830	XQ10F 3mm FRP Servo Mount Plate	1
XP-10156	Steel Turnbuckle 29mm	1		XP-10831	XQ1S FWD 2.5mm FRP Main Chassis	1
XP-10251	4.8mm Low Profile Ball End 15mm	2		XP-10832	XQ10F 2mm FRP Top Deck Rear	1
XP-10561	Low Profile Bumper Body Post Set	1		XP-40037	M3x6 Roundhead Screw	17
XP-10644	Composite Center Pulley	1		XP-40038	M3x8 Roundhead Screw	2
XP-10687	Aluminum Motor Mount	1		XP-40046	M3x6 Flathead Screw	12
XP-10688	Spur Gear Adaptor	1		XP-40049	M3x10 Flathead Screw	3
XP-10695	FRP 2.0mm Front Top Deck	1		XP-40050	Hex Screw Flat Head FM3x12mm	2
XP-10698	Center Pulley Post	1		XP-40060	Bearing 3x6x2.5mm	2
XP-10721	Light Foam Bumper	1		XP-40061	Bearing 5x8x2.5mm	2
XP-10722	Front Brass (58g)	1		XP-40063	Bearing 5x10x3mm	1
XP-10730	Kevlar Drive Belt Front 3x249mm	1		XP-40066	Spacer 3x5x0.2mm	7
XP-10738	Motor Mount Post With Flange	2		XP-40082	High Composite Spur Gear 64P 96T	1
XP-10739	Composite Upper Deck Collar For Flex Elimination (No Flex)	1		XP-40086-1	5 x 7 x 0.2mm Spacer	2
XP-10739	Composite Upper Deck Collar For Flex Elimination (Low Flex)	1		XP-40117-1	5 x 7 x 0.1mm Spacer	2
XP-10740	Composite Steering Post	2		XP-40126	Flanged Bearing 3x6x2.5mm	2
XP-10741	Composite Side Servo Mount FM1S	1				

