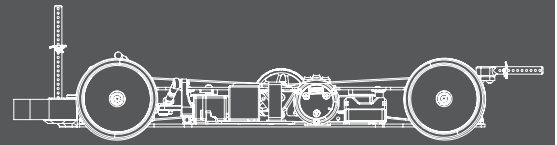


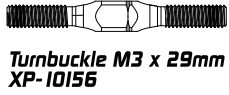
X-XPRESS
www.rc-xpress.com

EXHAUSTIVE
1/10 COMPETITION TOURING CAR
XQ11

INSTRUCTION MANUAL



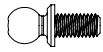
Bag A , K and HW Bag



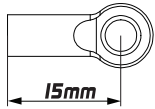
Turnbuckle M3 x 29mm
XP-10156



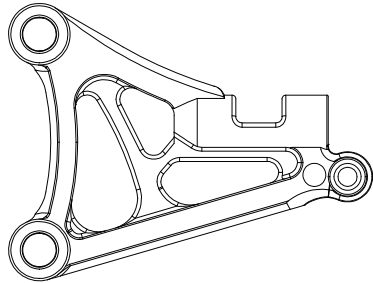
Steel Camberlink Turnbuckle 19mm
XP-11066



4.8mm Ball End 6mm Thread
XP-10149



4.8mm Flat Type Ball End 15mm
XP-10636



Soft Composite Upper Arm
XP-11090

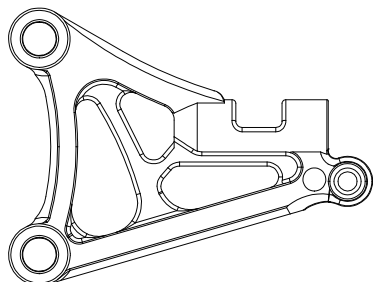


Camberlink adjustment wrench
XP-40263



Hex Screw Cup Head M3 x 10mm
XP-40625

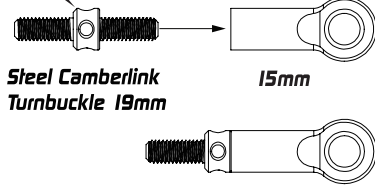
Option



Hard Composite Upper Arm
XP-11130

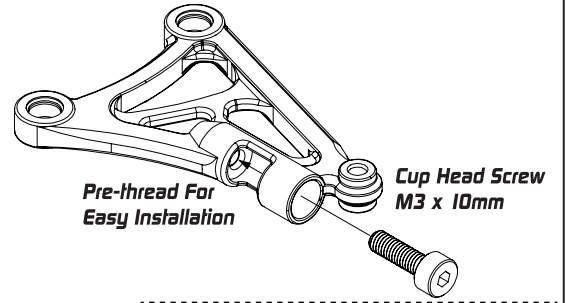
4X For Upper Arm

Direction



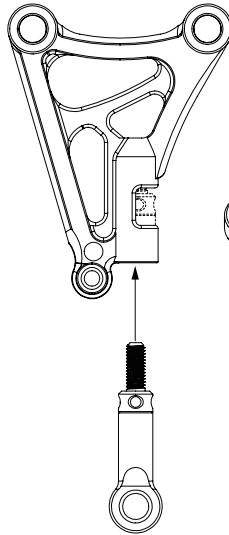
Steel Camberlink Turnbuckle 19mm

15mm

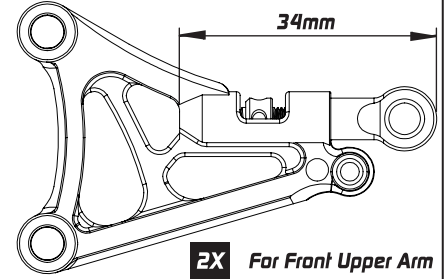


Pre-thread For Easy Installation

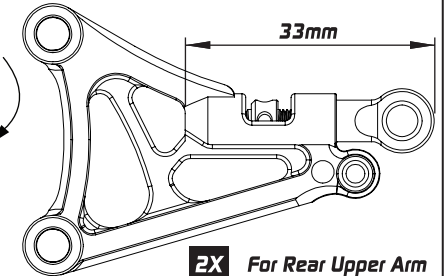
Cup Head Screw M3 x 10mm



Camberlink adjustment wrench



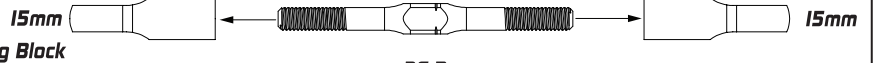
2X For Front Upper Arm



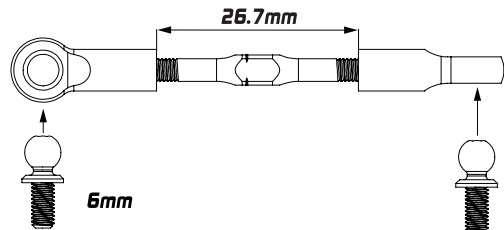
2X For Rear Upper Arm

2X

Turnbuckle M3 x 39mm



For Front Steering Block



6mm

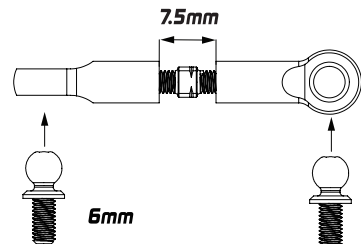
6mm

1X

Turnbuckle M3 x 18mm



For Servo

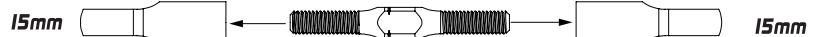


6mm

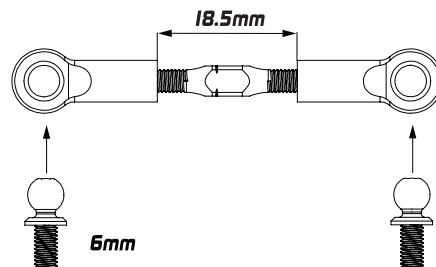
6mm

2X

Turnbuckle M3 x 29mm

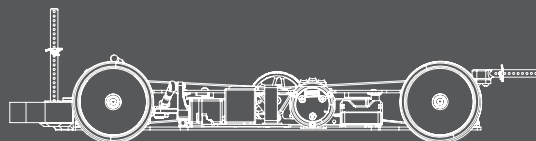


For Rear Steering Block

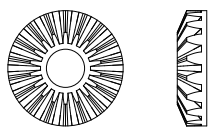


6mm

6mm



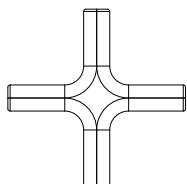
Bag B , Bearing and Oil Bag



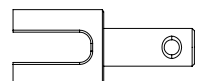
Bevel Gears 18T
XP-10009



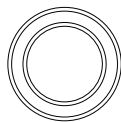
Bevel Gears 10T
XP-10009



Gear Diff Cross Pin
XP-10009



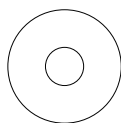
4mm Alu Gear Diff
Outdrive Adapter
XP-11016



Bearing 10 x 15 x 4mm
XP-40065



Pin 2 x 9.8mm
XP-40069



Spacer 5 x 15 x 0.4mm
XP-10181



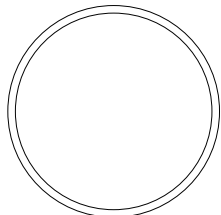
Spacer 3.6 x 9.5 x 0.2mm
XP-10182



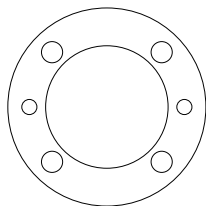
Silicone Gear Differential X-RING 5x2mm
XP-10600



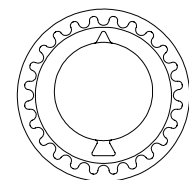
Flat Head Screw M2.5 x 8mm
XP-40044



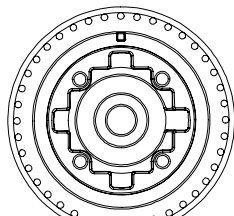
O-ring 25 x 1mm
XP-10183



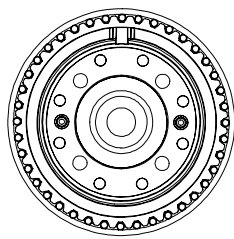
Diff Gasket
XP-10179



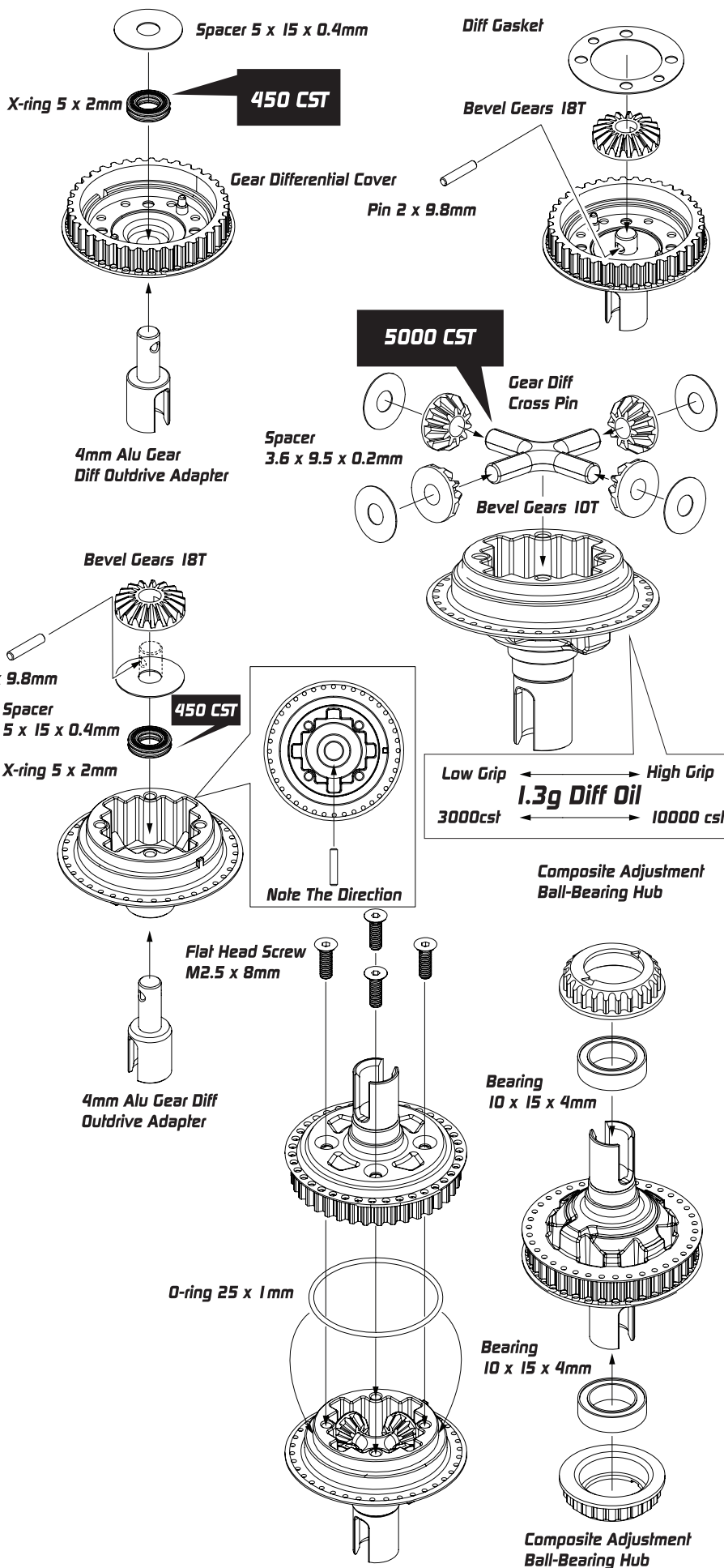
Composite Ball
Bearing Hub 2pcs
XP-11093

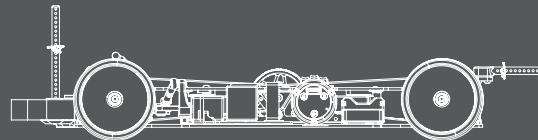


Gear Differential Case
XP-11010

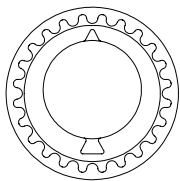


Gear Differential Cover
XP-11010

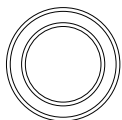




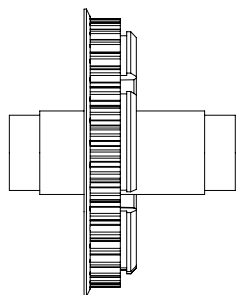
Bag C and HW Bag



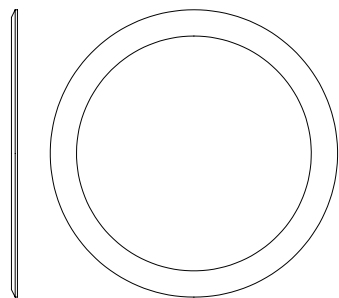
Composite Ball Bearing Hub 2pcs
XP-11093



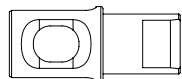
Bearing 10 x 15 x 4mm
XP-40065



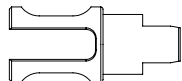
Composite Spool 38T
XP-11094



Composite Spool 38T Cover
XP-11094

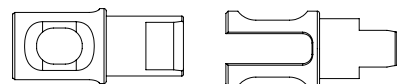


Outdrive Adapter 4mm
XP-11083

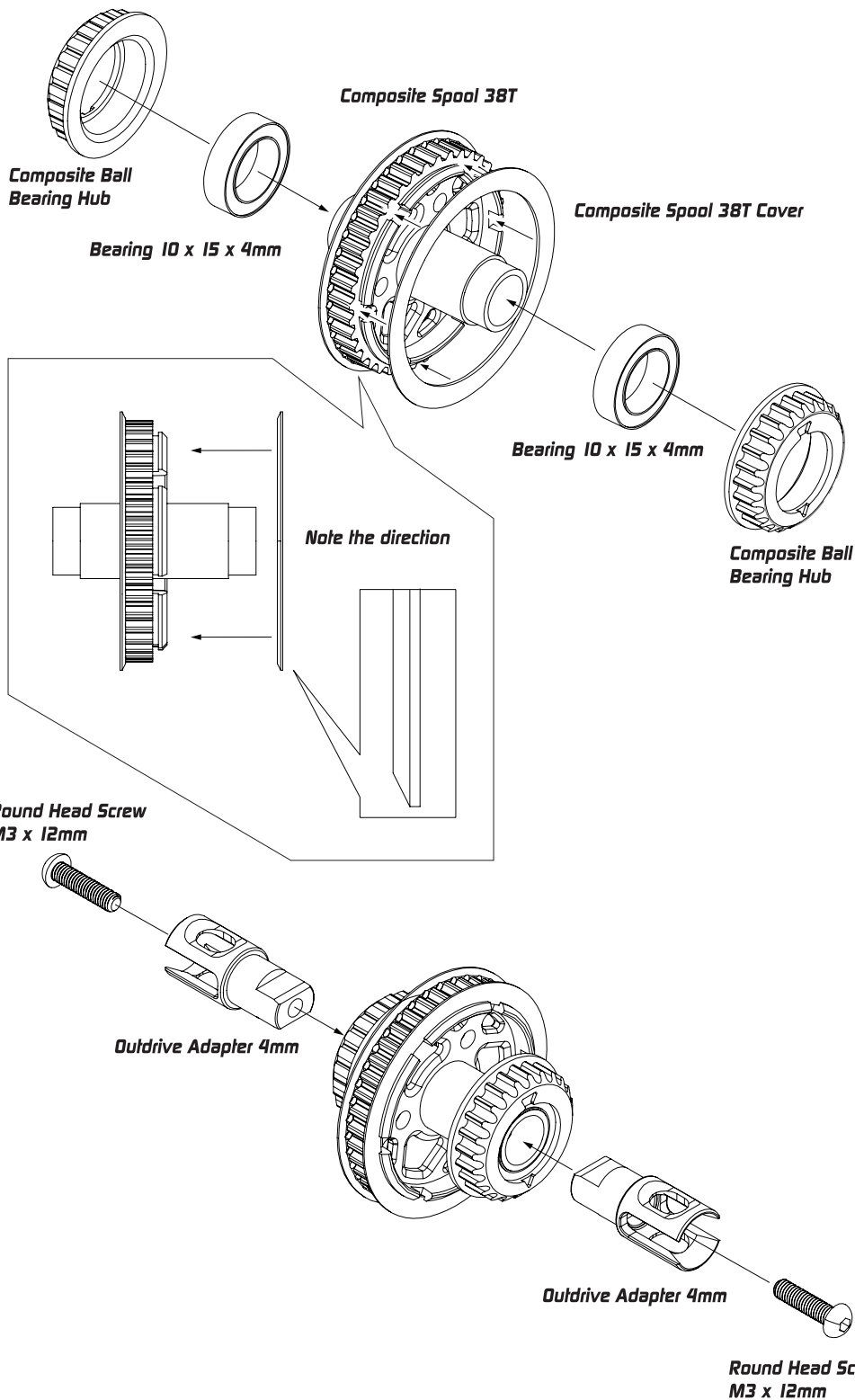


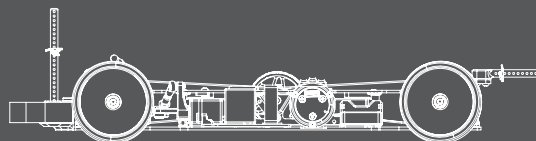
Round Head Screw M3 x 12mm
XP-40040

Optional

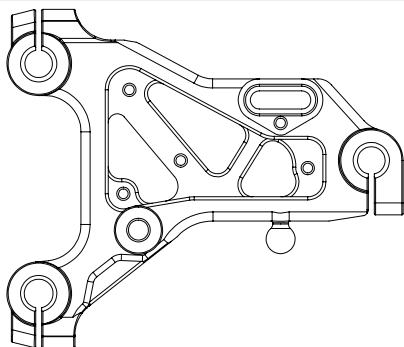


Titanium Outdrive Adapter 4mm
XP-11921

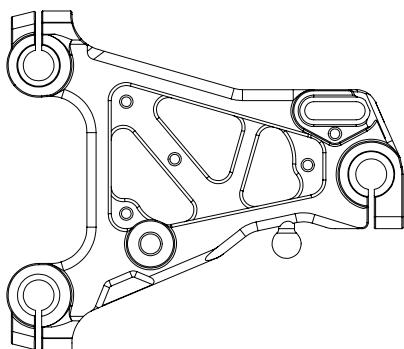




Bag D and HW Bag

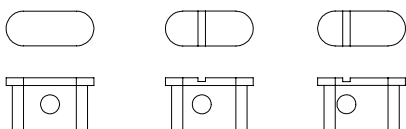


Soft Composite Suspension Arm Front
XP-11087

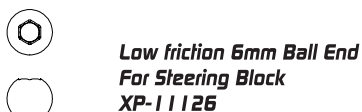


Soft Composite Suspension Arm Rear
XP-11087

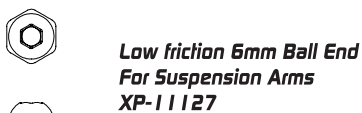
0mm +1mm / -1mm +2mm / -2mm



Soft Composite Suspension Insert
XP-11087



Low friction 6mm Ball End
For Steering Block
XP-11126



Low friction 6mm Ball End
For Suspension Arms
XP-11127



Hex Screw Cup Head CM2x8mm
XP-40258



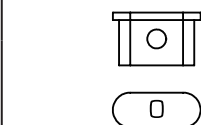
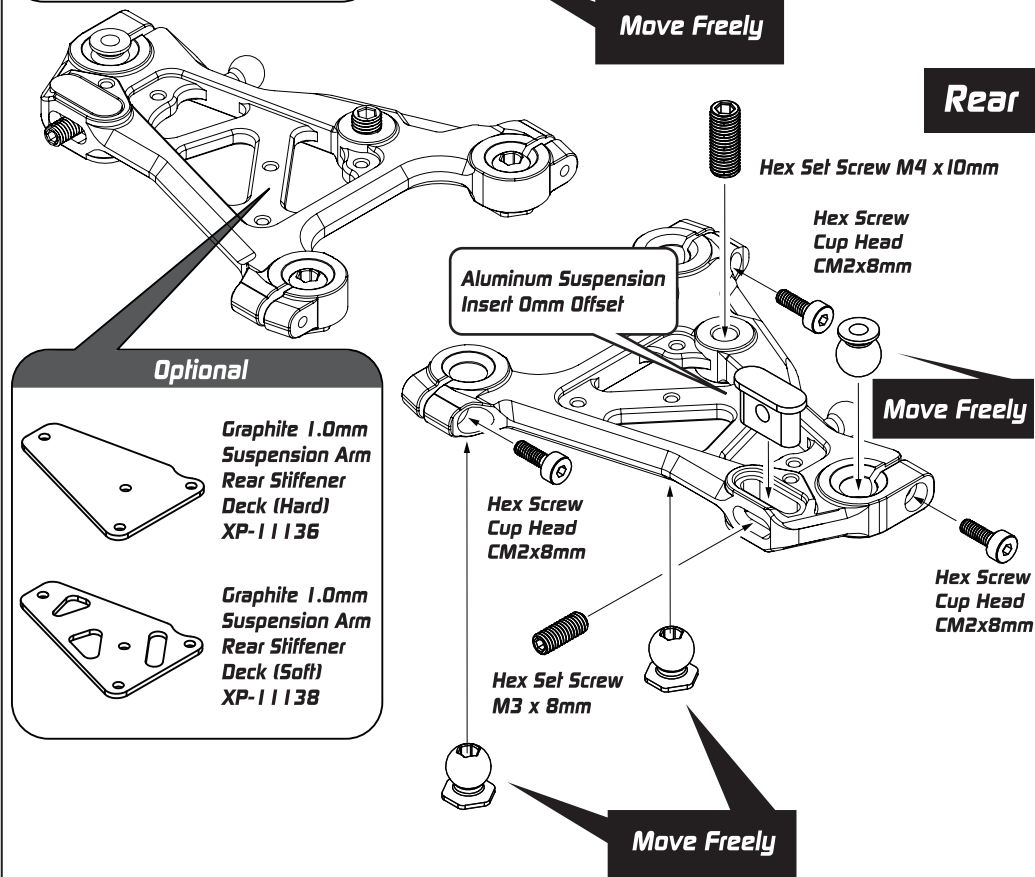
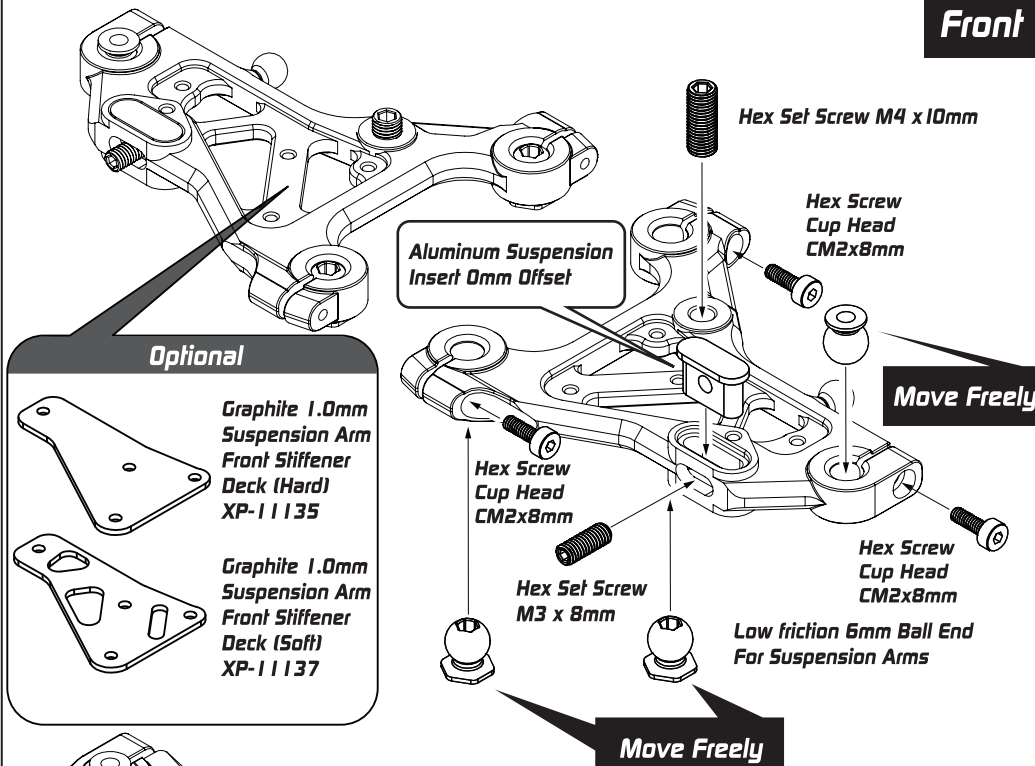
Hex Set Screw M4 x 10mm
XP-40056



Hex Set Screw M3 x 8mm
XP-40054

Optional

Hard Composite Suspension Arm Set
XP-11087



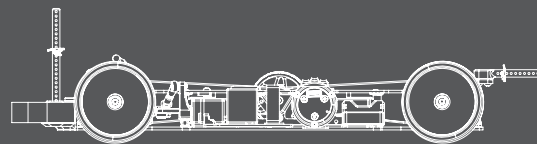
Aluminum Suspension Insert
0mm Offset
XP-11139









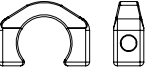
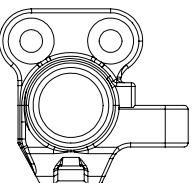
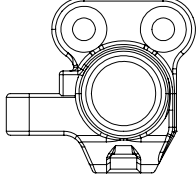
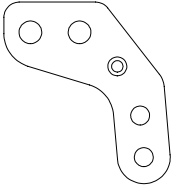
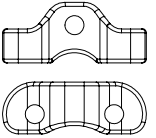
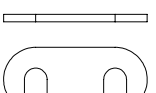
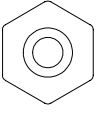



Aluminum Suspension Insert
1mm Offset
XP-11140



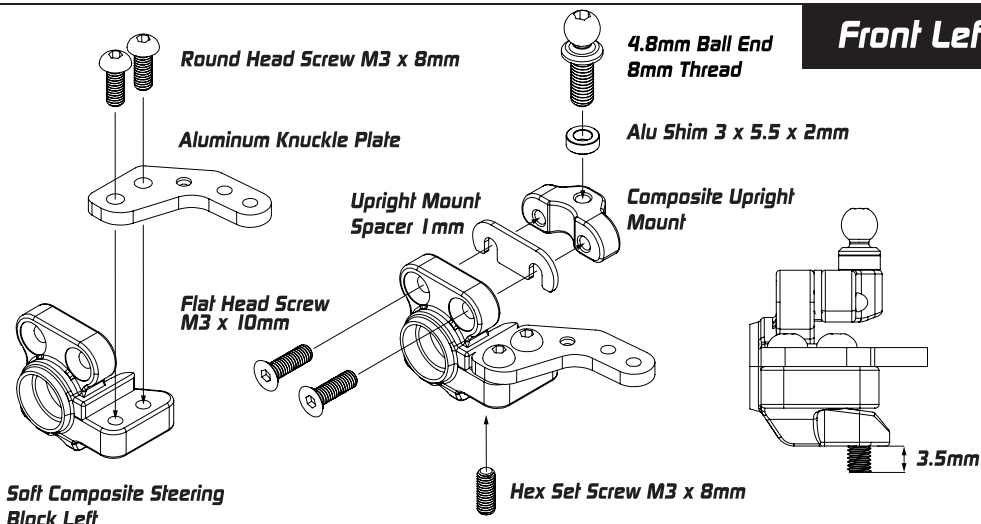
Aluminum Suspension Insert
2mm Offset
XP-11141



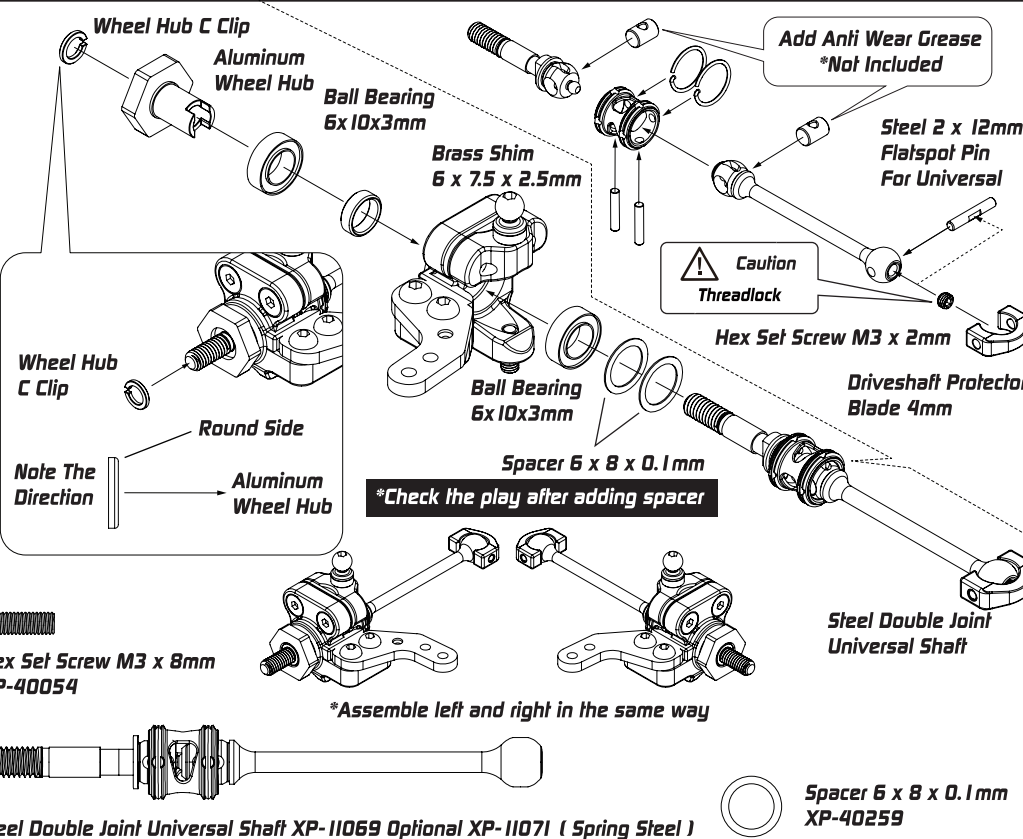
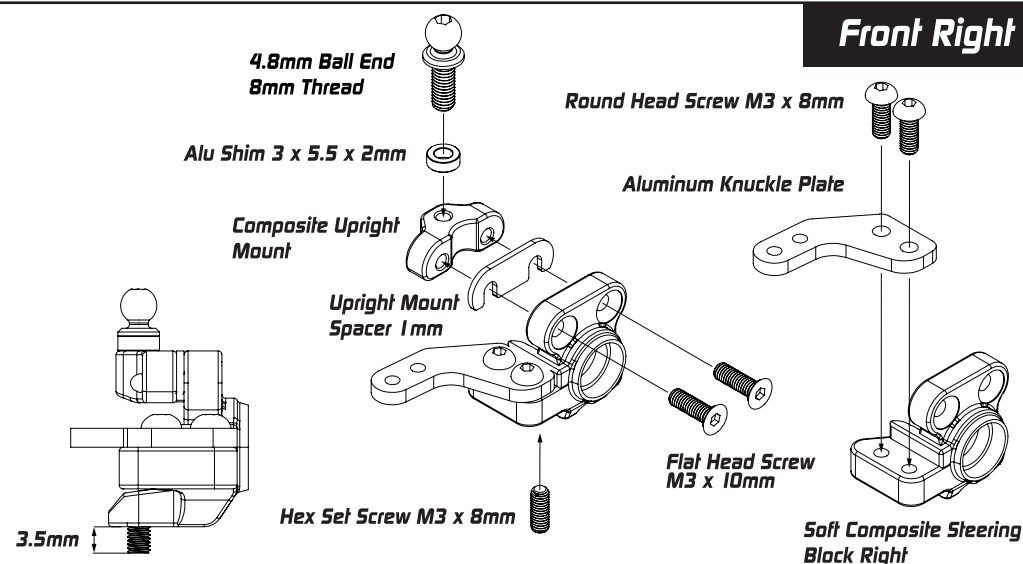
Bag A , E and HW Bag

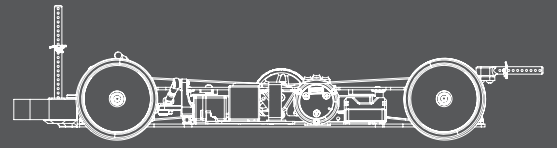
-  **Round Head Screw M3 x 8mm**
XP-40038
-  **Flat Head Screw M3 x 10mm**
XP-40049
-  **Alu Shim 3 x 5.5 x 2mm**
XP-10241
-  **4.8mm Ball End 8mm Thread**
XP-11124
-  **Hex Set Screw M3 x 2mm**
XP-40051
-  **Steel 2 x 12mm Flatspot Pin For Universal**
XP-40071
-  **Driveshaft Protector Blade 4mm**
XP-10876
-  **Soft Composite Steering Block Left** XP-11092
Optional :
XP-11131 (Hard)
XP-11116 (Aluminum)
-  **Soft Composite Steering Block Right** XP-11092
Optional :
XP-11131 (Hard)
XP-11117 (Aluminum)
-  **Aluminum Knuckle Plate + 1mm Offset**
XP-11082
-  **Soft Composite Upright Mount** XP-11092
Optional :
XP-11131 (Hard)
XP-11118 (Aluminum)
-  **Soft Composite Upright Mount Spacer 1mm**
XP-11092
-  **Aluminum Wheel Hub** XP-11078
Optional :
XP-11097 (+1mm)
-  **Wheel Hub C Clip**
XP-11119
-  **Brass Shim 6 x 7.5 x 2.5mm**
XP-11085
-  **Ball Bearing 6x10x3mm**
XP-40250

Front Left

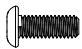


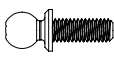

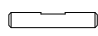
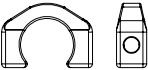
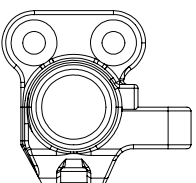
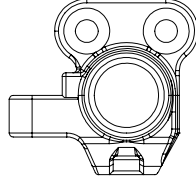
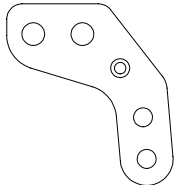
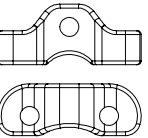
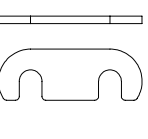
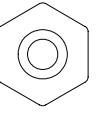





Front Right

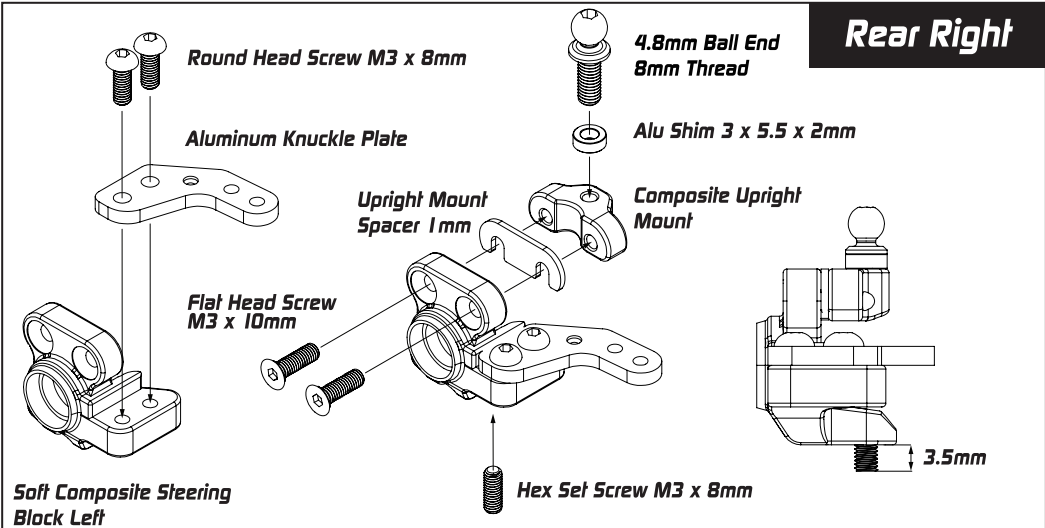




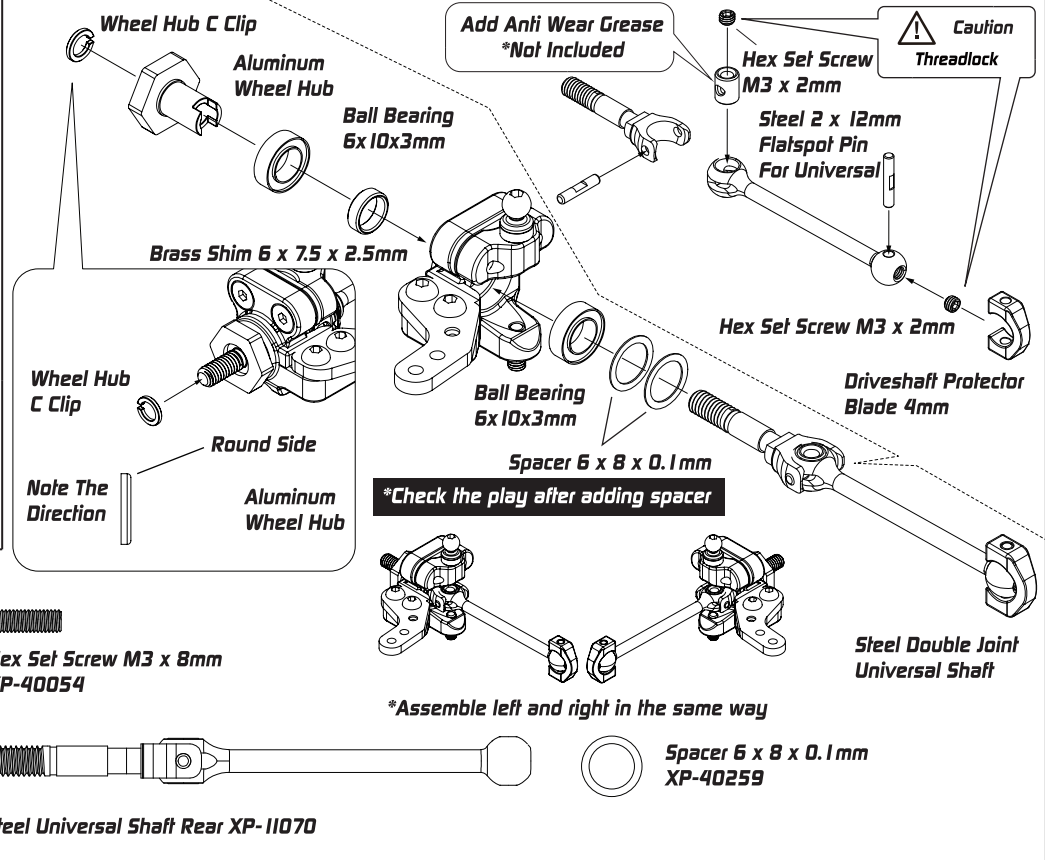
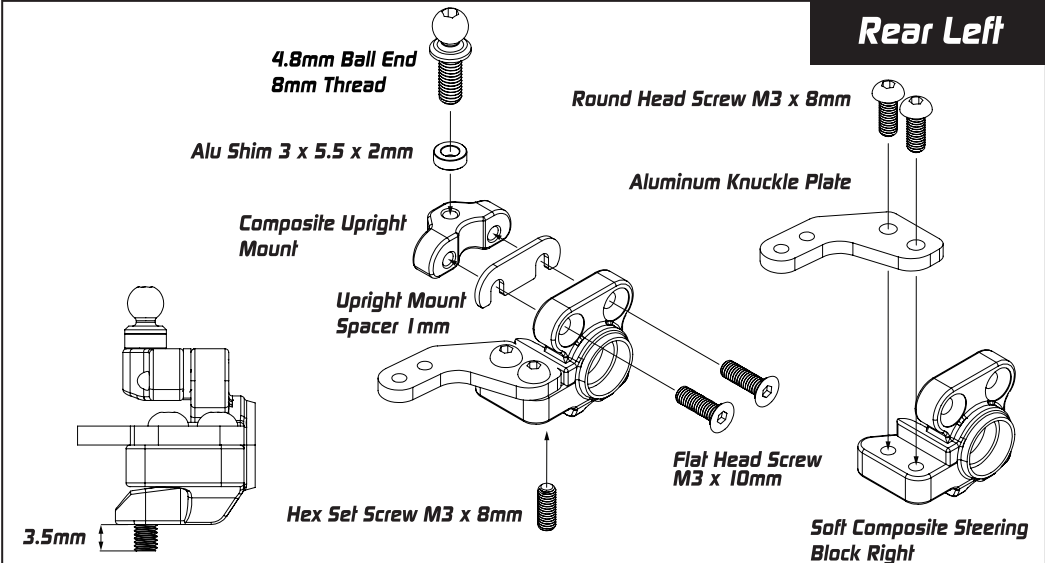
Bag A , F and HW Bag

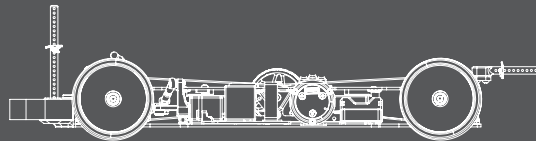
-  **Round Head Screw M3 x 8mm**
XP-40038
-  **Flat Head Screw M3 x 10mm**
XP-40049
-  **Alu Shim 3 x 5.5 x 2mm**
XP-10241
-  **4.8mm Ball End 8mm Thread**
XP-11124
-  **Hex Set Screw M3 x 2mm**
XP-40051
-  **Steel 2 x 12mm Flatspot Pin**
For Universal
XP-40071
-  **Driveshaft Protector Blade**
4mm XP-10876
-  **Soft Composite Steering**
Block Left XP-11092
Optional :
XP-11131 (Hard)
XP-11116 (Aluminum)
-  **Soft Composite Steering**
Block Right XP-11092
Optional :
XP-11131 (Hard)
XP-11117 (Aluminum)
-  **Aluminum Knuckle Plate**
+ 1mm Offset
XP-11082
-  **Soft Composite Upright**
Mount XP-11092
Optional :
XP-11131 (Hard)
XP-11118 (Aluminum)
-  **Soft Composite Upright**
Mount Spacer 1mm
XP-11092
-  **Aluminum Wheel Hub**
XP-11078
Optional :
XP-11097 (+1mm)
-  **Wheel Hub C Clip**
XP-11119
-  **Brass Shim 6 x 7.5 x 2.5mm**
XP-11085
-  **Ball Bearing 6x10x3mm**
XP-40250

Rear Right



Rear Left





Bag G and HW Bag

 Aluminum Anti-Roll Bar Ball
XP-10818

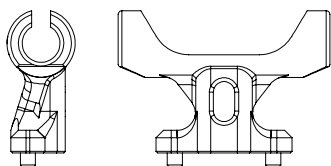
 Anti-Roll Bar Ball Joint
XP-10883

 Set Screw M3 x 2mm
XP-40051

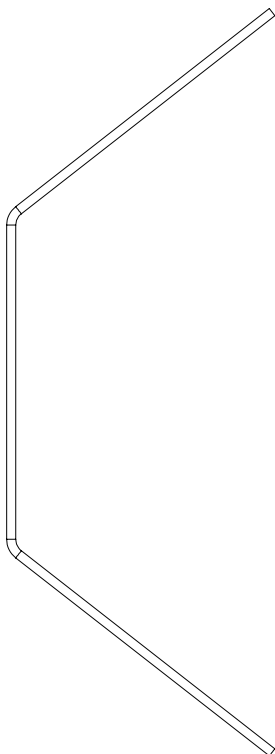
 Set Screw M3 x 3mm
XP-40052

 Bearing 3 x 6 x 2.5mm
XP-40060

 Alu Anti-Roll Bar Bushing V2
XP-11049



Composite Anti-Roll Bar Mount
XP-11079



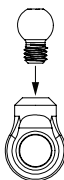
Anti-Roll Bar 1.2mm F/R
XP-11014

Optional :
Anti-Roll Bar 1.1mm F/R
XP-11013

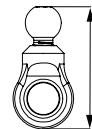
Anti-Roll Bar 1.3mm F/R
XP-11015

4X

Aluminum Anti-Roll Bar Ball



Anti-Roll Bar Ball Joint



16.2mm

2X

Alu Anti-Roll Bar Bushing V2

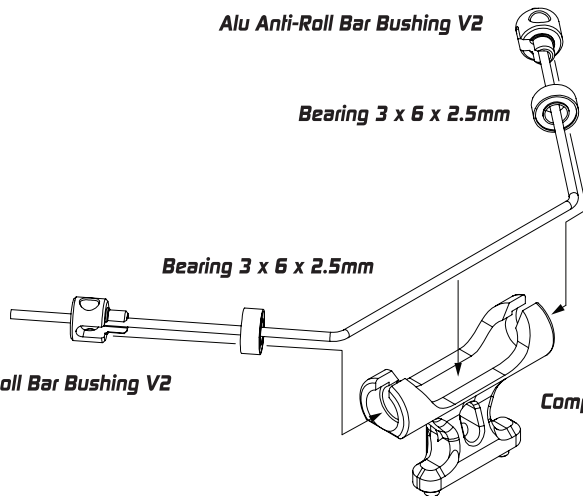
Bearing 3 x 6 x 2.5mm

Anti-Roll Bar 1.2mm F/R

Bearing 3 x 6 x 2.5mm

Alu Anti-Roll Bar Bushing V2

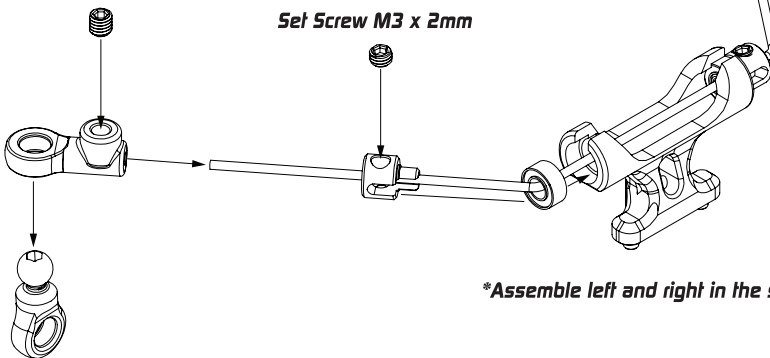
Composite Anti-Roll Bar Mount



**Fine Tune at Suspension Arm Assembly*

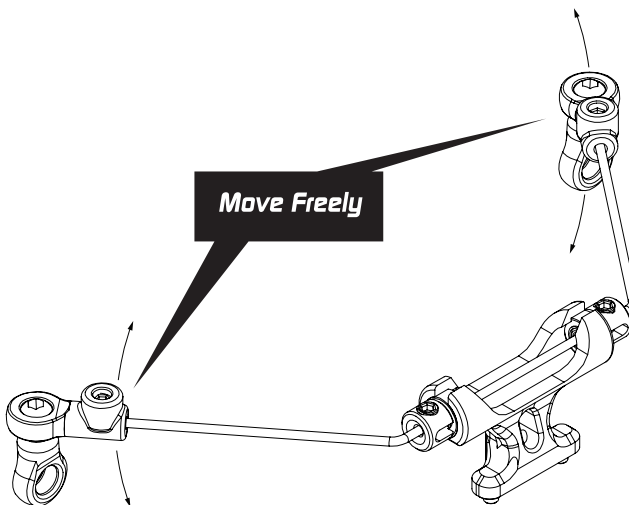
Set Screw M3 x 3mm

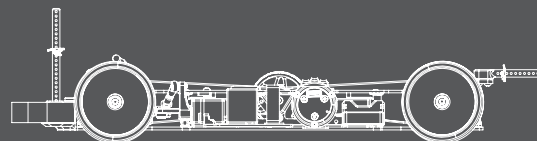
Set Screw M3 x 2mm



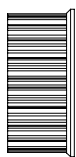
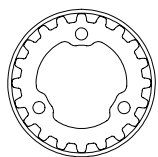
**Assemble left and right in the same way*

Move Freely





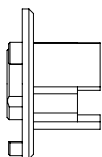
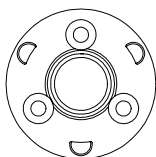
Bag H, N, Bearing and Screw Bag



Composite Center Pulley 20T
XP-11009



Steel Center Pulley Post
XP-11075



Aluminum Center Pulley Adaptor
XP-11077



Flat Head Hex Screw M2 x 8mm
XP-40260



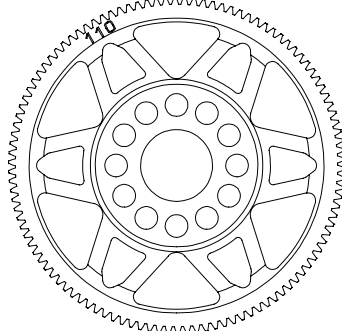
Ball Bearing 4 x 8 x 3mm
XP-40249



Ball Bearing 6 x 10 x 3mm
XP-40249



Hex Screw Round Head 2.5 x 4mm
XP-40248



High Composite Spur Gear 64P 110T
XP-40083



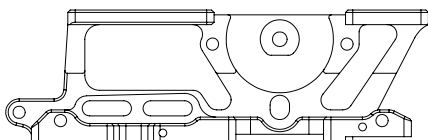
Center Pulley Adaptor Cap Oring
XP-10985



Center Pulley Adaptor Cap
XP-10985



Aluminum Belt Tension Locknut
XP-11076



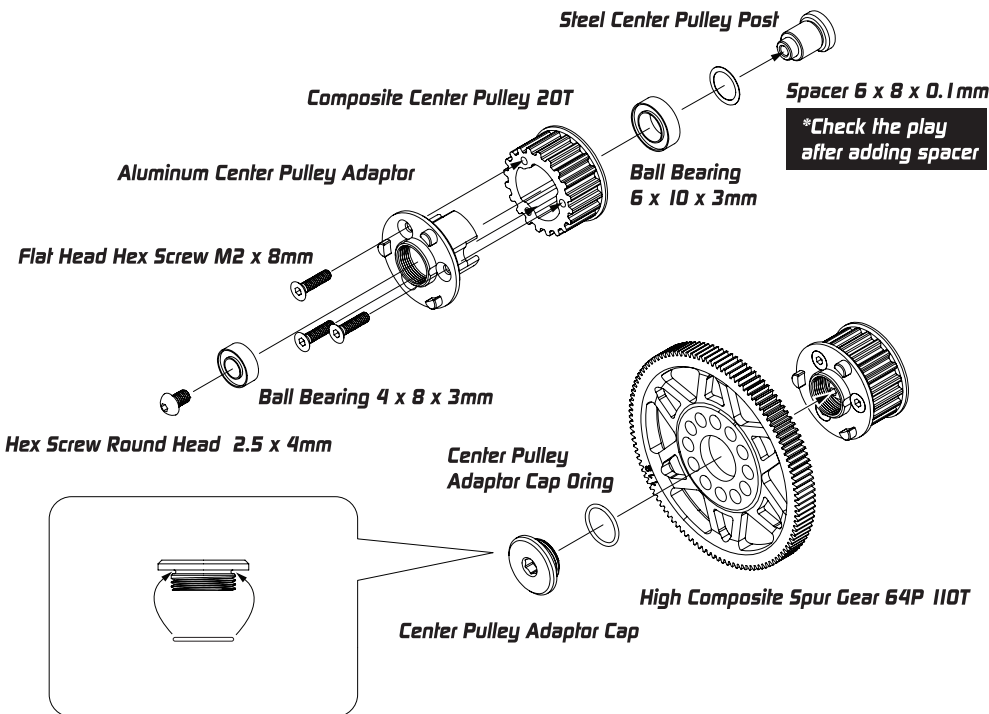
Aluminum Motor Mount
XP-11065



Spacer 3 x 5 x 0.2mm
XP-40066



Aluminum Shim 3 x 5.5 x 1.0mm
XP-10119 / XP-10240



Bearing 3 x 7 x 3mm
XP-40257



Round Head Screw RM3 x 6mm
XP-40037



Battery stopper
XP-11120

Spacer 3 x 5 x 0.2mm

Bearing 3 x 7 x 3mm

Round Head Screw RM3 x 10mm



Flat Head Screw FM3 x 10mm

Round Head Screw RM3 x 10mm



Bearing 3 x 7 x 3mm

Flat Head Screw FM3 x 10mm

Kevlar Low Friction Belt 3x35 1mm
XP-10647



Round Head Screw RM3 x 6mm



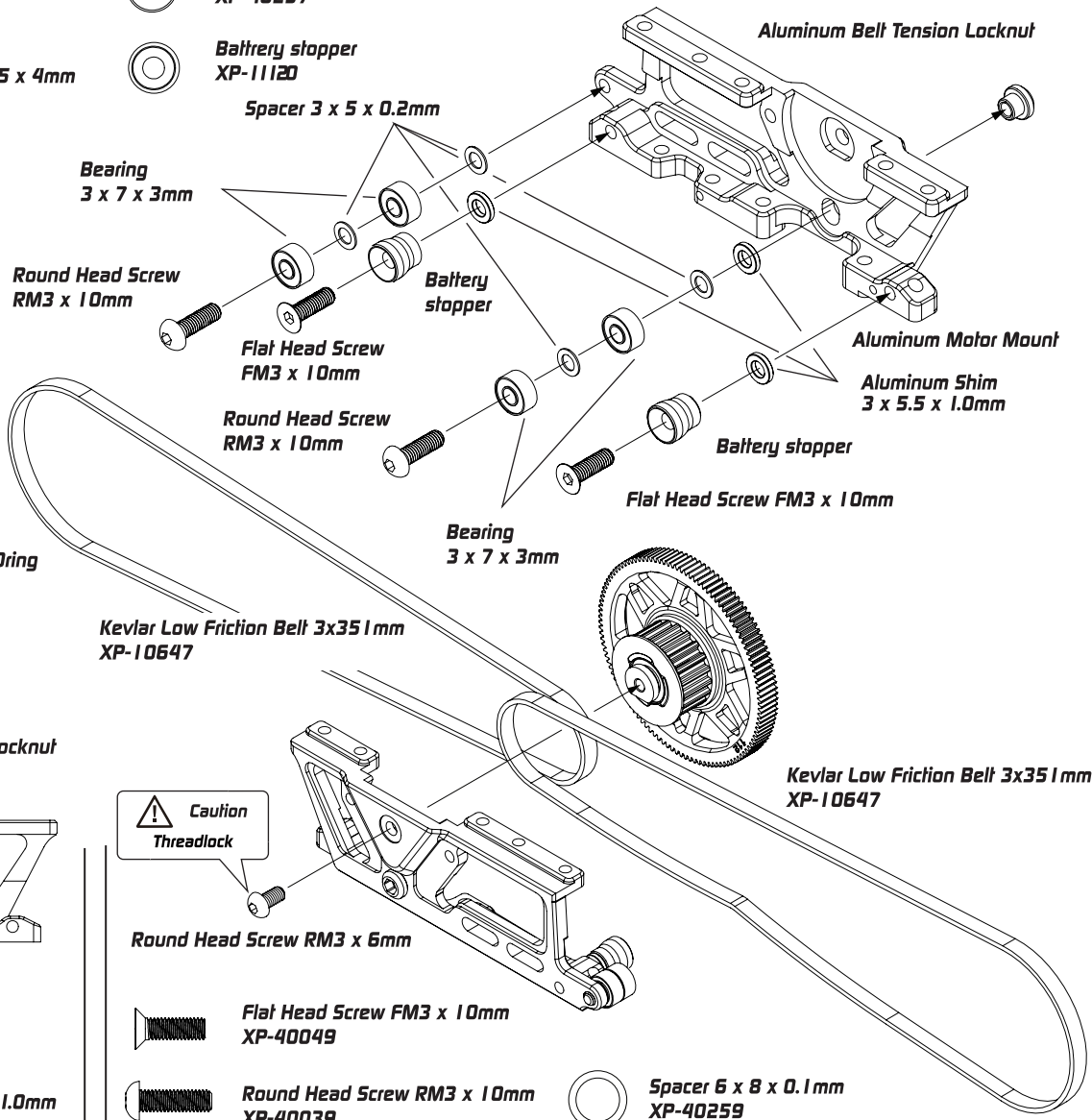
Flat Head Screw FM3 x 10mm
XP-40049

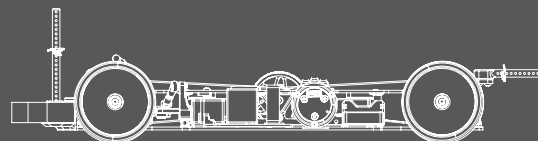


Round Head Screw RM3 x 10mm
XP-40039





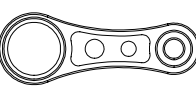

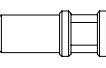

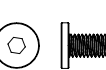
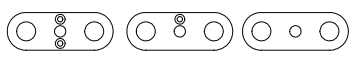




Spacer 6 x 8 x 0.1mm
XP-40259

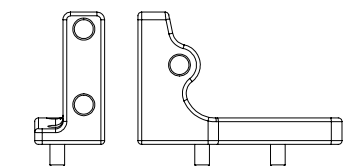




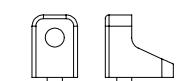
Bag I, N, Carbon and HW Bag

-  Flat Head Screw FM2.5 x 5mm XP-40261
-  Flat Head Screw FM3 x 8mm XP-40048
-  Round Head Screw RM3 x 6mm XP-40037
-  Round Head Screw RM3 x 8mm XP-40038
-  Aluminum Dual Servo Saver Arm 18.5mm XP-10650
-  Bearing 5 x 8 x 2.5mm XP-40061
-  Aluminum Steering Post For Dual Servo Saver XP-10112
-  Aluminum Steering Travel Limiter 7.5mm XP-11086
-  Thin Head Hex Screw M3 x 6mm XP-40264
-  Aluminum Adjustable Ackermann Steering Plate For Dual Servo Saver XP-11067
-  Bearing 3 x 6 x 2.5mm XP-40060
-  Aluminum Shim 3 x 5.5 x 1.0mm XP-10119 / XP-10240

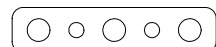
 Aluminum Adjustable Ackermann Steering Plate XP-11067



 Floating Electronics Servo Mount A XP-11074




 Floating Electronics Servo Mount B XP-11074



 Floating Electronics Servo shim 0.5mm XP-11074

2X

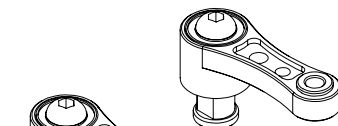
 Round Head Screw RM3 x 6mm

 Bearing 5 x 8 x 2.5mm

 Aluminum Dual Servo Saver Arm 18.5mm

 Bearing 5 x 8 x 2.5mm

 Aluminum Steering Post For Dual Servo Saver



 Thin Head Hex Screw M3 x 6mm

 Composite Countersunk Servo Shim XP-11120

 Composite Countersunk Servo Shim

 Servo Horn

 Composite Countersunk Servo Shim

 Flat Head Screw FM3 x 8mm

From Servo Link

 4.8mm Ball End 6mm Thread

 Aluminum Steering Travel Limiter 7.5mm

 Aluminum Shim 3 x 5.5 x 1.0mm

 Bearing 3 x 6 x 2.5mm

From Front Steering Knuckle

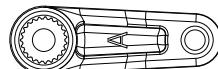
 Thin Head Hex Screw M3 x 6mm

 Floating Electronics Servo Mount A

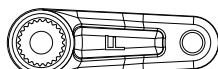
 Graphite 1.6mm Floating Electronics Servo Plate XP-11074

 Graphite 1.6mm Floating Electronics Servo Plate XP-11074

 Floating Electronics Servo Mount B



 Servo Horn 23T for Sanwa, KO XP-11120



 Servo Horn 25T for Futaba XP-11120

Caution Use 8.0

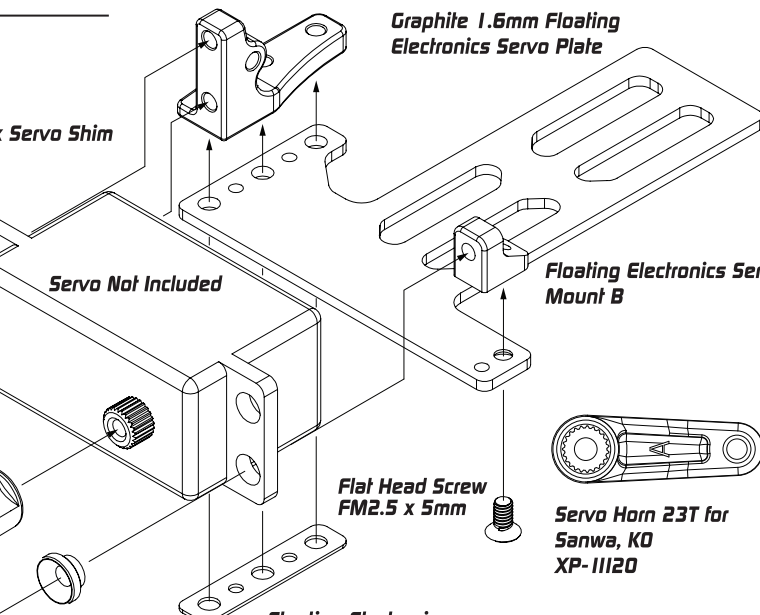


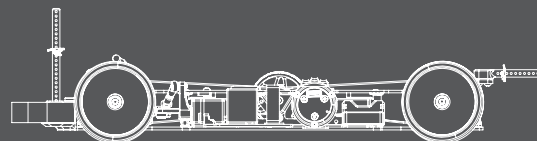
Shave Off Material When Using 8mm Insert

Default Setup

 Aluminum Adjustable Ackermann Steering Plate

Servo Not Included

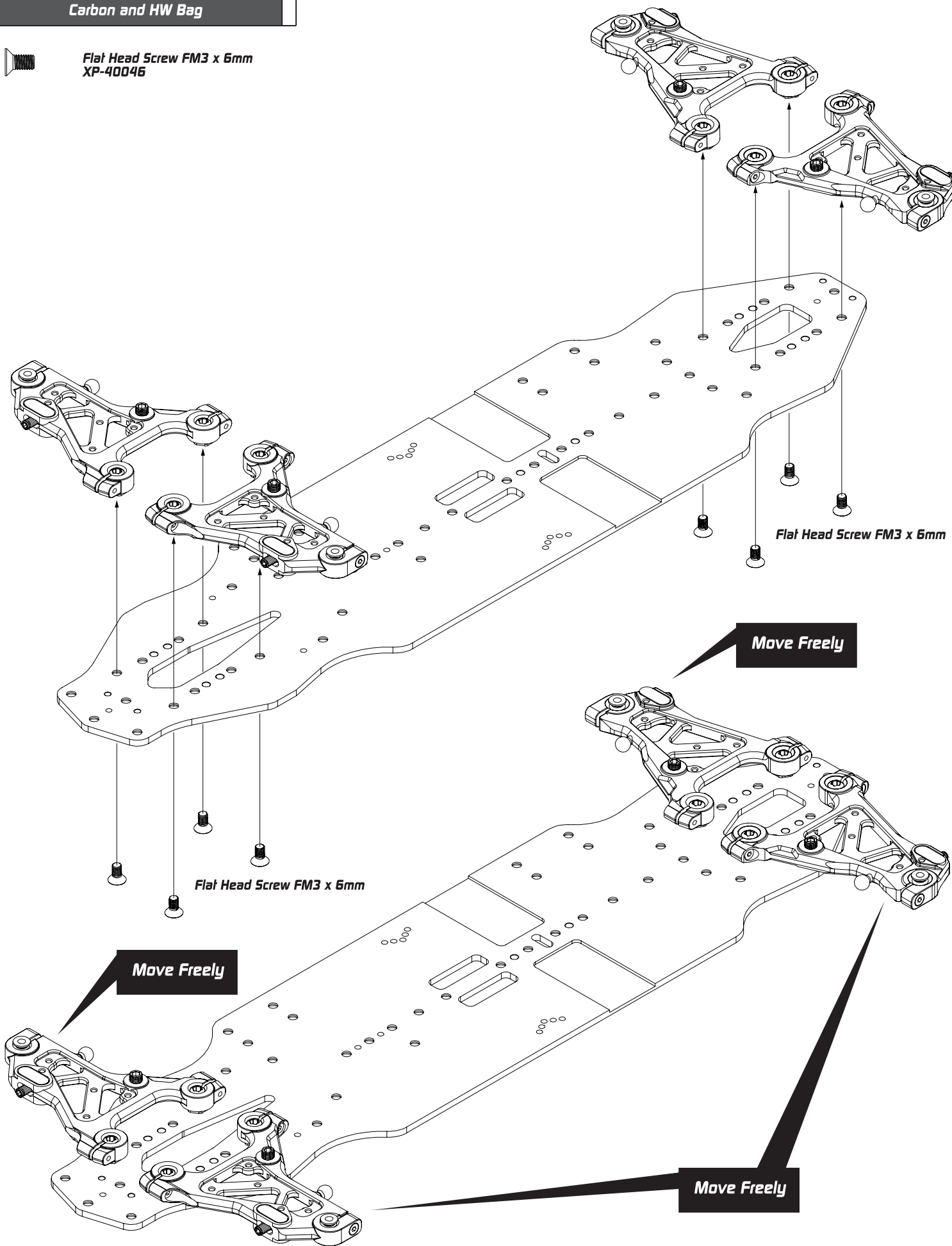


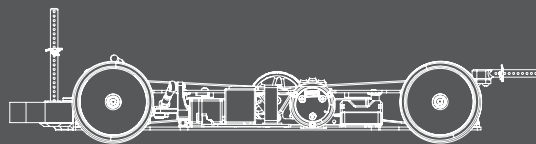


Carbon and HW Bag



Flat Head Screw FM3 x 6mm
XP-40046





HW Bag



Flat Head Screw FM3 x 6mm
XP-40046



Rear →

Note The Direction

Flat Head Screw FM3 x 6mm

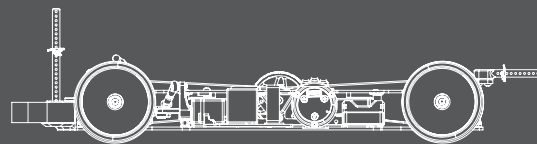
Move Freely

Move Freely

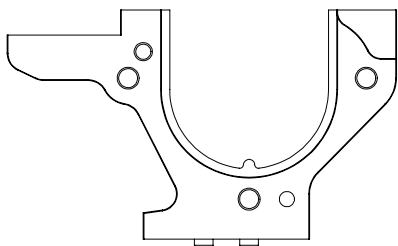
Move Freely

← Front
Note The Direction

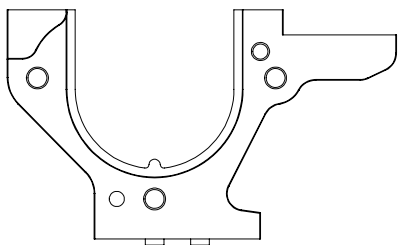
Flat Head Screw FM3 x 6mm



Bag J and HW Bag



Aluminum Separate Bulkhead Type A
XP-11059



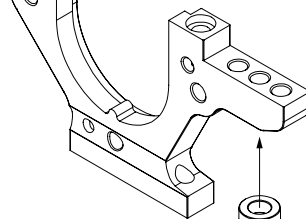
Aluminum Separate Bulkhead Type B
XP-11060

 **Aluminum Shim 3x5.5x2.0mm**
XP-10241

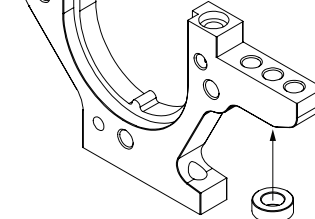
 **4.8mm Ball End 6mm Thread**
XP-10149

 **Flat Head Screw FM3 x 6mm**
XP-40046

Aluminum Separate Bulkhead Type A



Aluminum Separate Bulkhead Type B

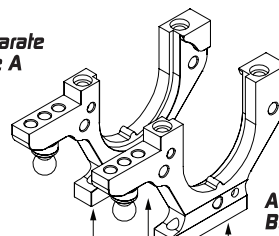


Aluminum Shim 3x5.5x2.0mm

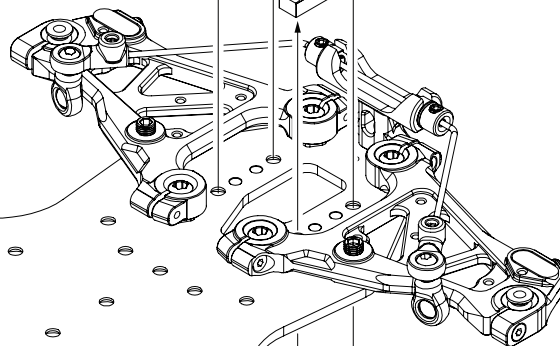
4.8mm Ball End 6mm Thread

From Rear Steering Block Link

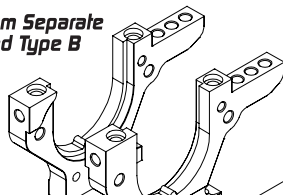
Aluminum Separate Bulkhead Type A



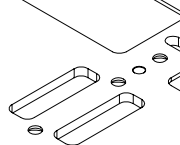
Aluminum Separate Bulkhead Type B



Aluminum Separate Bulkhead Type B

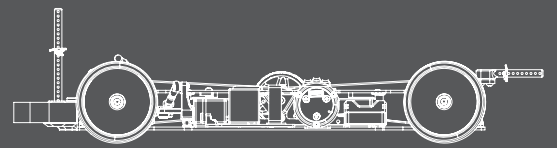


Aluminum Separate Bulkhead Type A



Flat Head Screw FM3 x 6mm

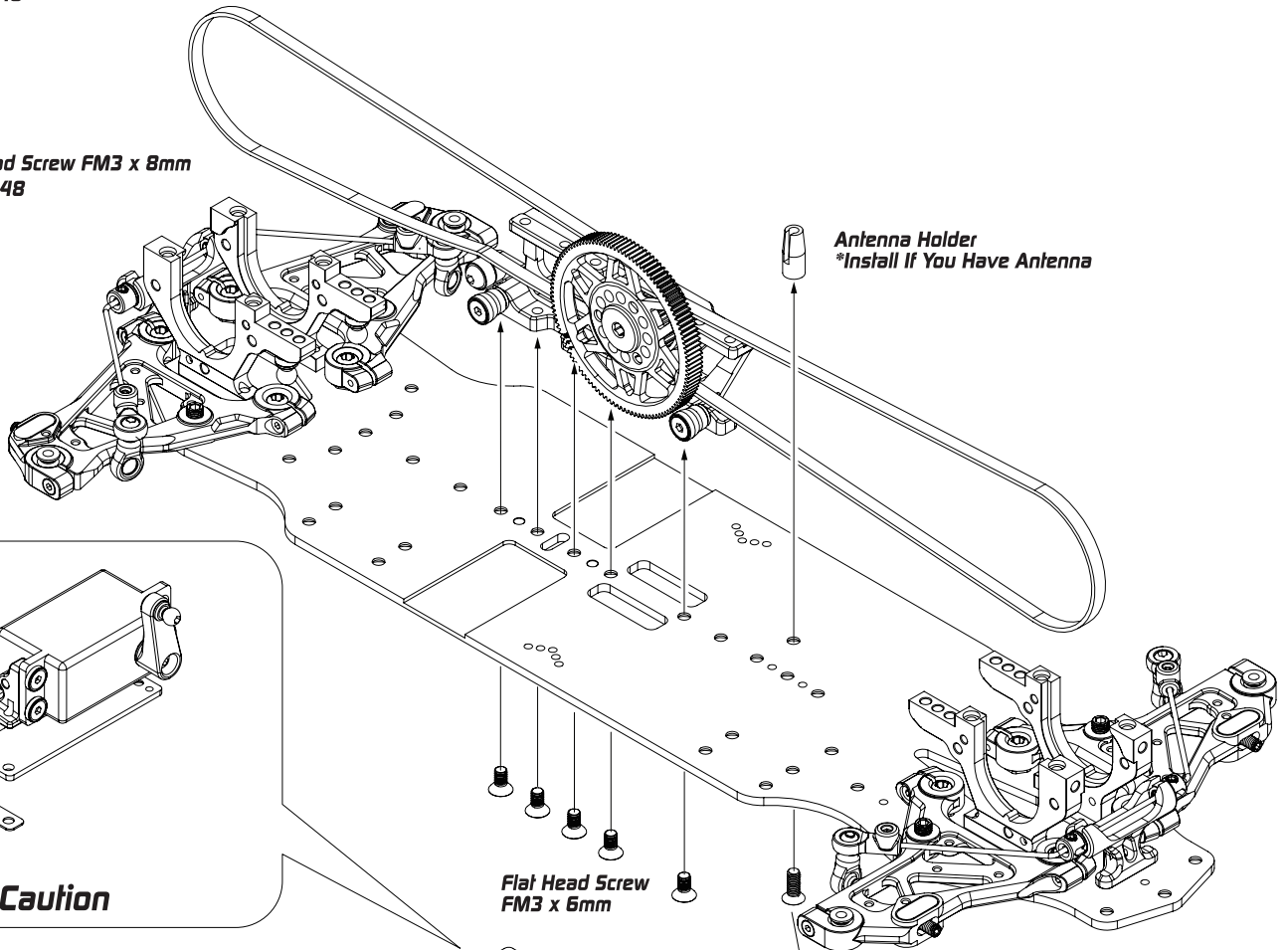
Flat Head Screw FM3 x 6mm



Bag I, N and HW Bag

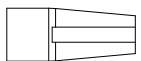
 Flat Head Screw FM3 x 6mm
XP-40046

 Flat Head Screw FM3 x 8mm
XP-40048



Flat Head Screw
FM3 x 6mm

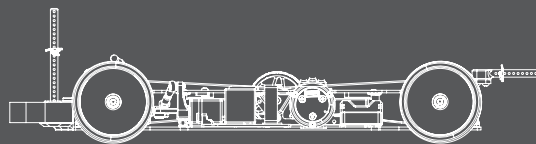
Flat Head Screw
FM3 x 8mm



Antenna Holder XP-11120

Flat Head Screw
FM3 x 8mm

Flat Head Screw
FM3 x 6mm



Bag H, Bag N, Carbon and HW Bag

 **Round Head Screw RM3 x 6mm**
XP-40037

 **Thin Head Hex Screw M3 x 6mm**
XP-40264

 **Top Deck Screw**
XP-10989

 **Spacer 3 x 5 x 0.2mm**
XP-40066

 **Bearing 3 x 6 x 2.5mm**
XP-40060

 **Composite Upper Deck Stiffener**
XP-11120 Optional XP-10566

Round Head Screw RM3 x 6mm

Thin Head Hex Screw M3 x 6mm

Spacer 3 x 5 x 0.2mm

Bearing 3 x 6 x 2.5mm

Spacer 3 x 5 x 0.2mm

Flat Head Screw FM3 x 6mm

Composite Upper Deck Collar For Flex Elimination

Top Deck Screw

Round Head Screw RM3 x 6mm

Round Head Screw RM3 x 6mm

Composite Upper Deck Stiffener

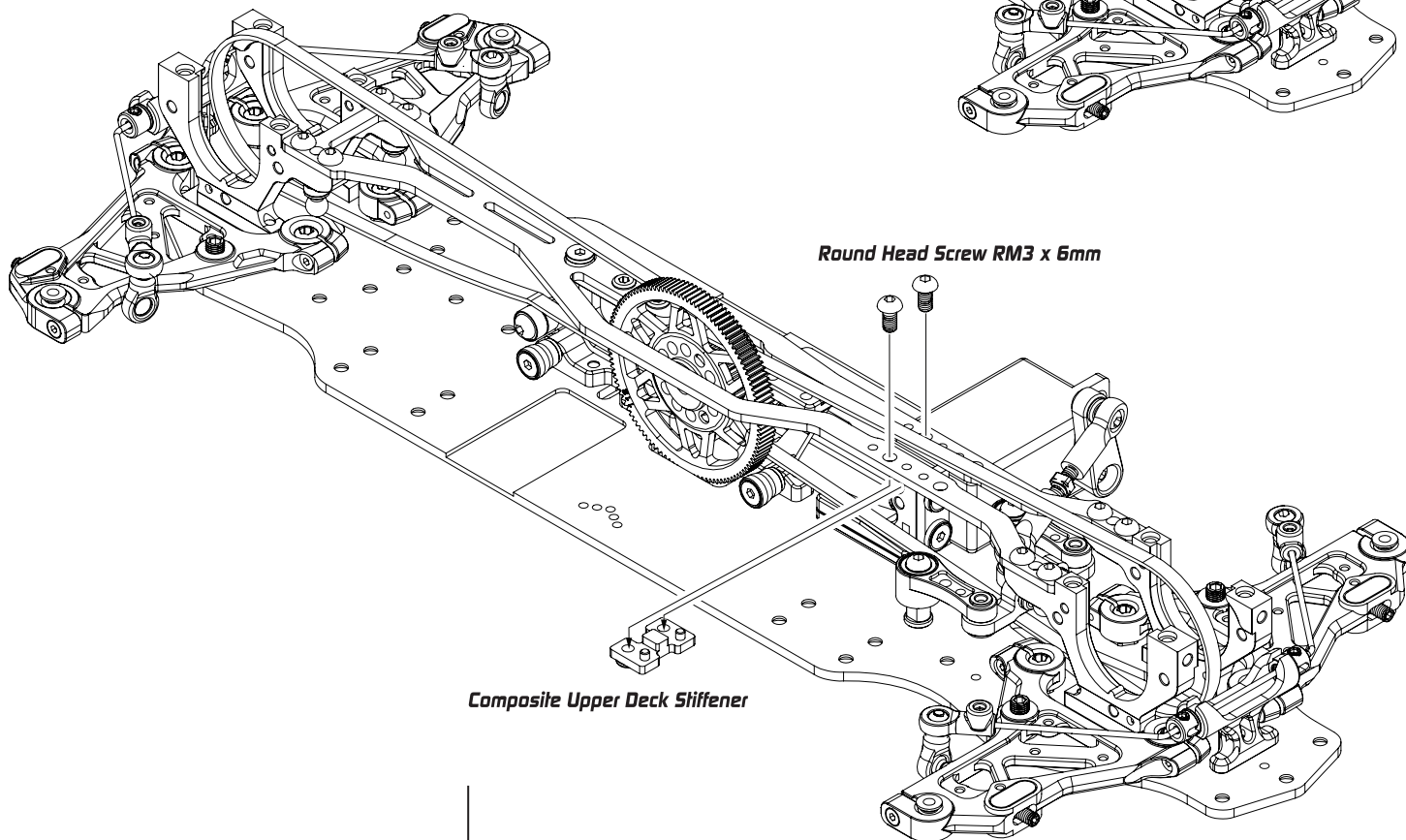
Default Setup

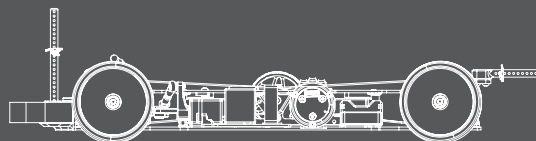
2.0mm Graphite Top Deck
XP-11017

Optional

2.0mm Graphite Split Upper Deck Front
XP-11096

2.0mm Graphite Split Upper Deck Rear
XP-11111

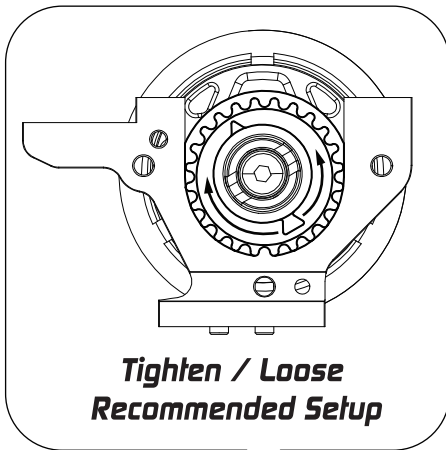




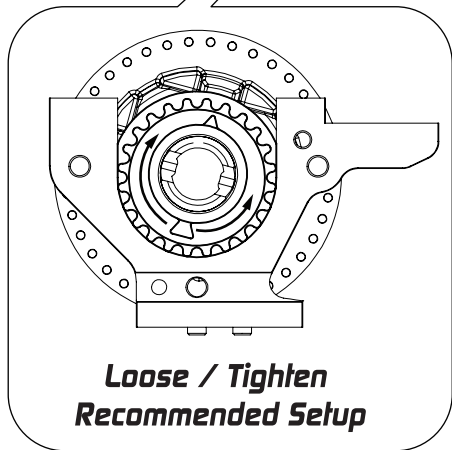
Bag J and HW Bag



Round Head Screw M3 x 8mm
XP-40038

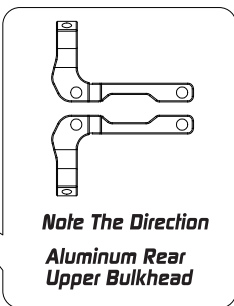


**Tighten / Loose
Recommended Setup**



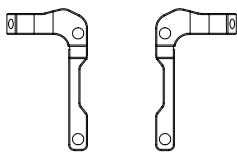
**Loose / Tighten
Recommended Setup**

Round Head Screw
M3 x 8mm

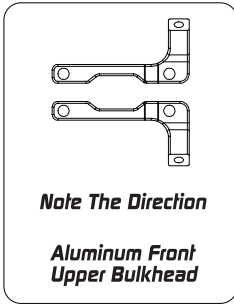


**Note The Direction
Aluminum Rear
Upper Bulkhead**

Aluminum Front Upper Bulkhead Set
XP-11062

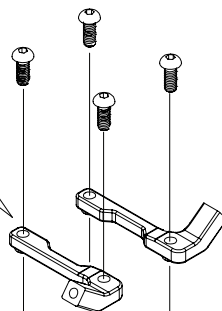


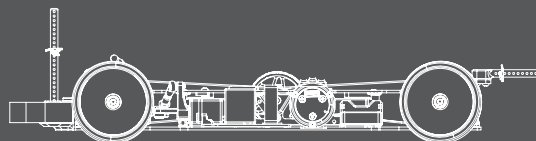
Aluminum Rear Upper Bulkhead Set
XP-11063



**Note The Direction
Aluminum Front
Upper Bulkhead**

Round Head Screw M3 x 8mm

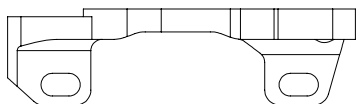
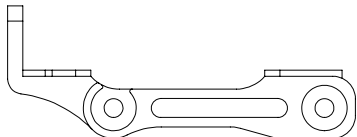




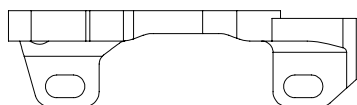
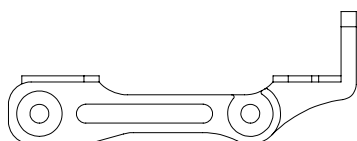
Bag J, Bag N and HW Bag

 4.8mm Ball End 8mm Thread
XP-11124

 Alu Shim 3 x 5.5 x 2mm
XP-10241



Aluminum Camberlink Mount Type A
XP-11088

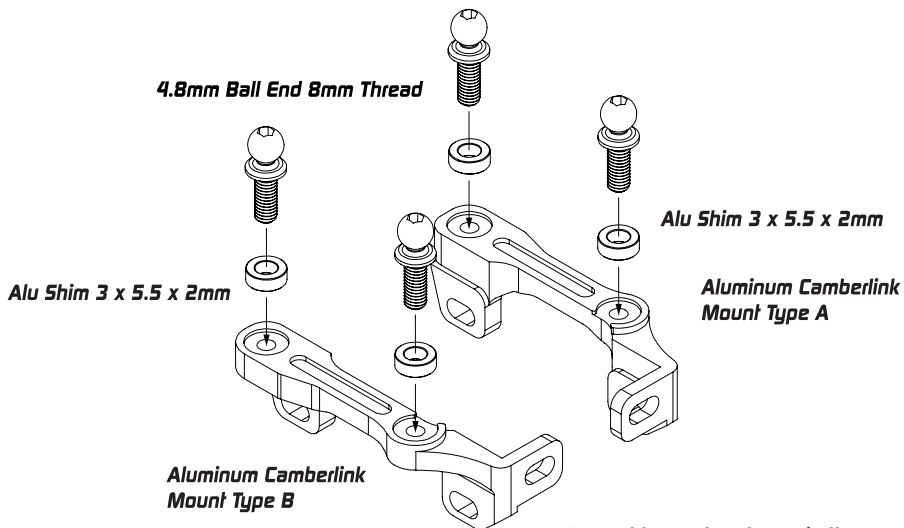


Aluminum Camberlink Mount Type B
XP-11089

 Hex Set Screw M3x10mm
XP-40055

 Composite Body Support Brace
XP-11120

2X



**Assemble Front and Rear in the same way*

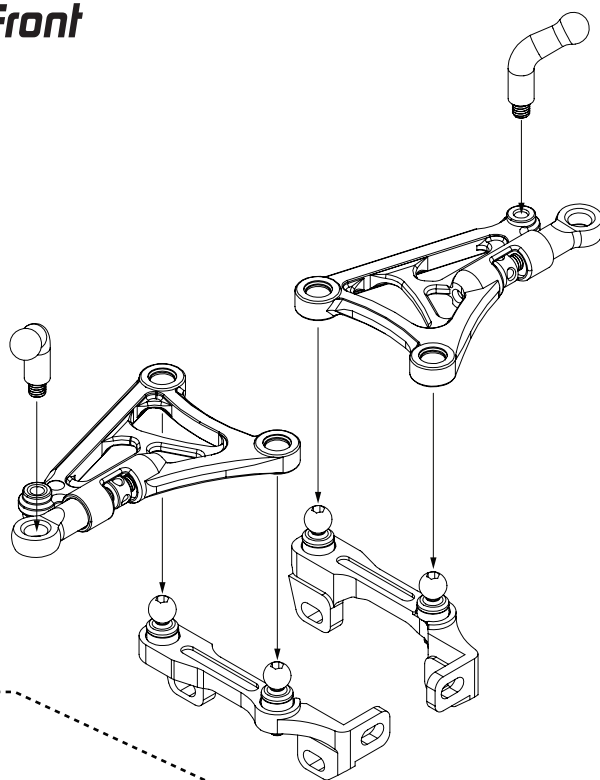
2X

Front

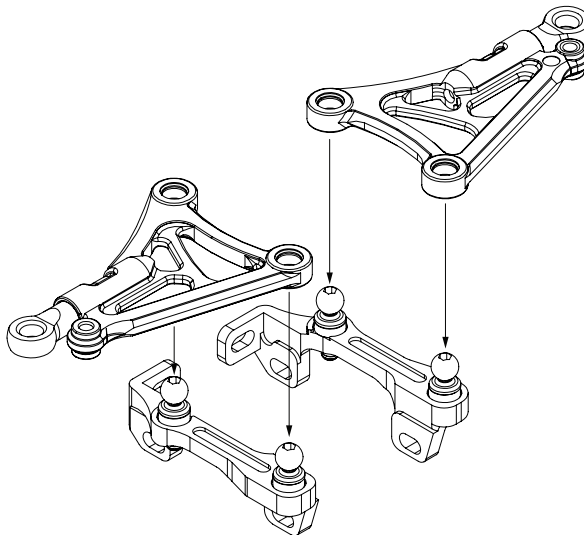
Composite Body Support Brace

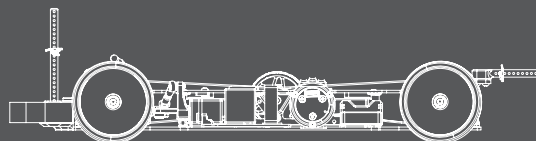


Hex Set Screw M3x10mm



Rear





Bag J and HW Bag

Front

Round Head Screw
RM3 x 8mm



Round Head Screw M3 x 8mm
XP-40038

Round Head Screw
RM3 x 6mm

Aluminum Shim 3 x 5.5 x 1.0mm

Caster Adjustment

0mm Shim = 6°

1mm Shim = 4°

(Default Setup)

2mm Shim = 2°



Round Head Screw RM3 x 6mm
XP-40037



Aluminum Shim 3 x 5.5 x 1.0mm
XP-10119 / XP-10240



Aluminum Shim 3 x 5.5 x 2.0mm
XP-10241

Round Head Screw
RM3 x 8mm

Round Head Screw
RM3 x 6mm

Aluminum Shim 3 x 5.5 x 2.0mm

Caster Adjustment

0mm Shim = 4°

1mm Shim = 2°

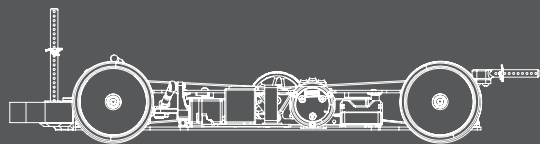
2mm Shim = 0°

(Default Setup)

Rear

Round Head Screw
RM3 x 6mm

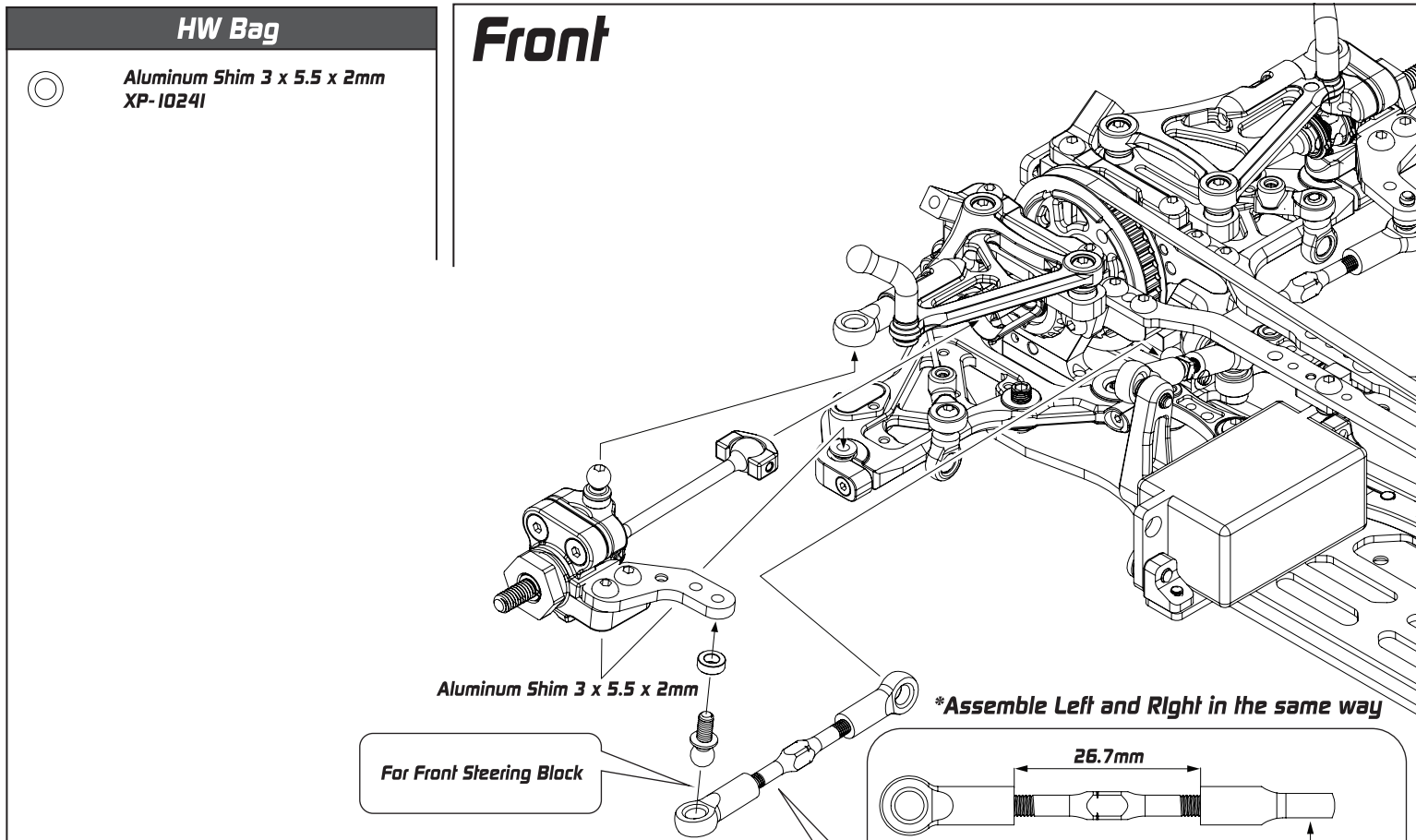
Round Head Screw
RM3 x 8mm



HW Bag

Aluminum Shim 3 x 5.5 x 2mm
XP-10241

Front



Aluminum Shim 3 x 5.5 x 2mm

For Front Steering Block

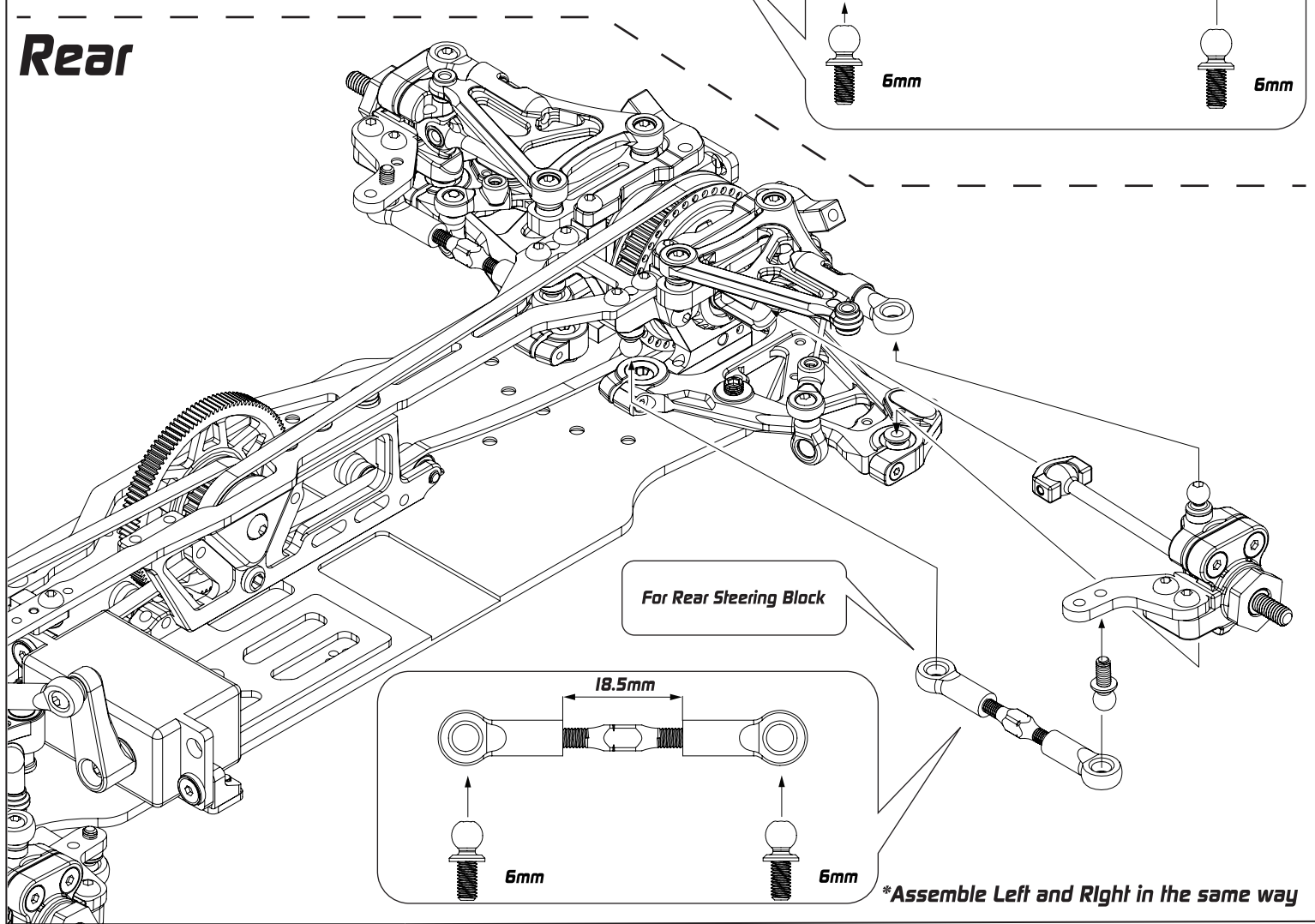
*Assemble Left and Right in the same way

26.7mm

6mm

6mm

Rear



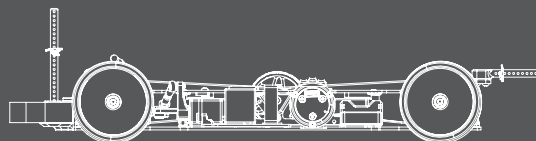
For Rear Steering Block

18.5mm

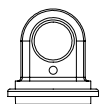
6mm

6mm

*Assemble Left and Right in the same way



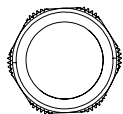
Bag L and HW Bag



Long Travel Short Shock Composite Shock Top Connector
XP-10724



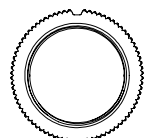
Long Travel Short Shock Lower Connector XP-10724



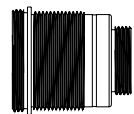
Alu Short Shock Cap
XP-10578



Alu Lower Short Shock Cap
XP-10579



Alu Short Shock Adjustable Nut
XP-10580



Long Travel Alu Short Shock Body
XP-10725
Optional : XP-10718



Short Shock Shaft
XP-10582



4 Hole Piston
XP-10159



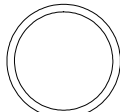
Shock Absorber Membrane
XP-10986



E-Clip 2.5mm
XP-40057



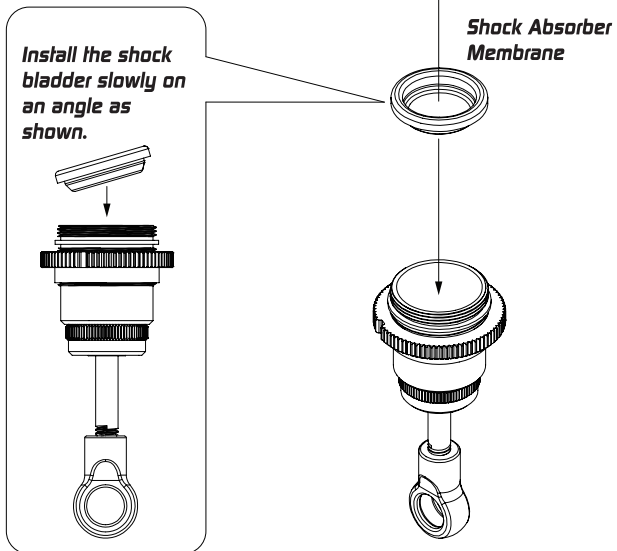
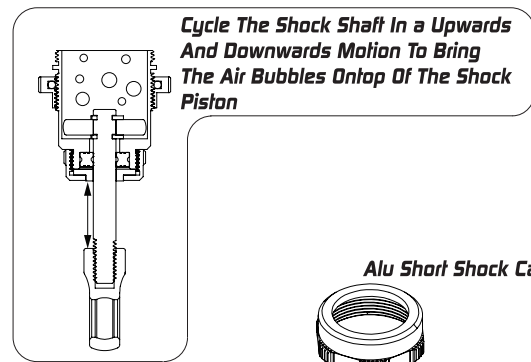
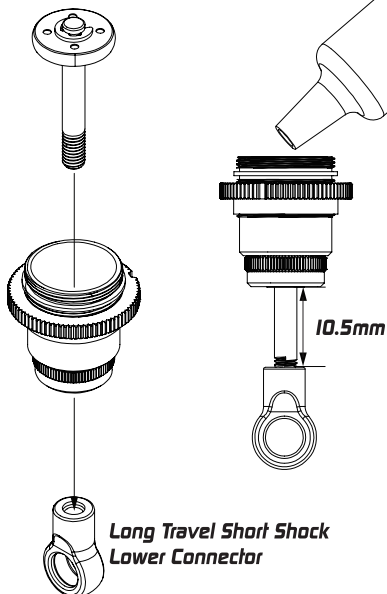
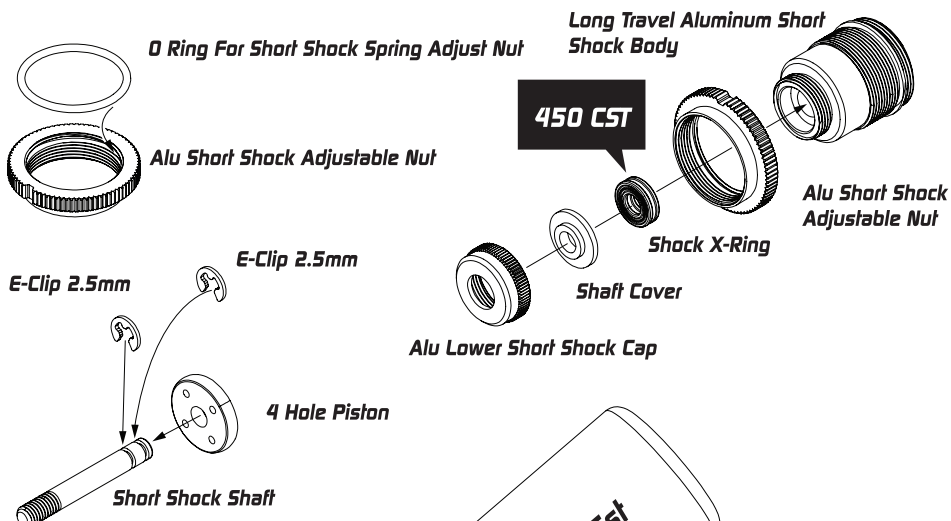
Shock X-Ring
XP-10601

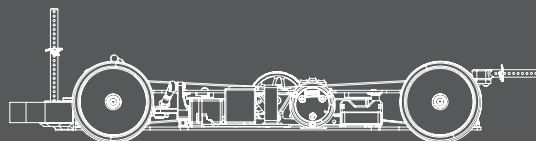


O Ring For Short Shock Spring Adjust Nut
XP-10607

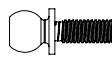
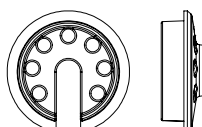
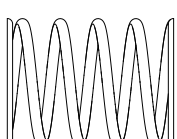





Shaft Cover
XP-10159

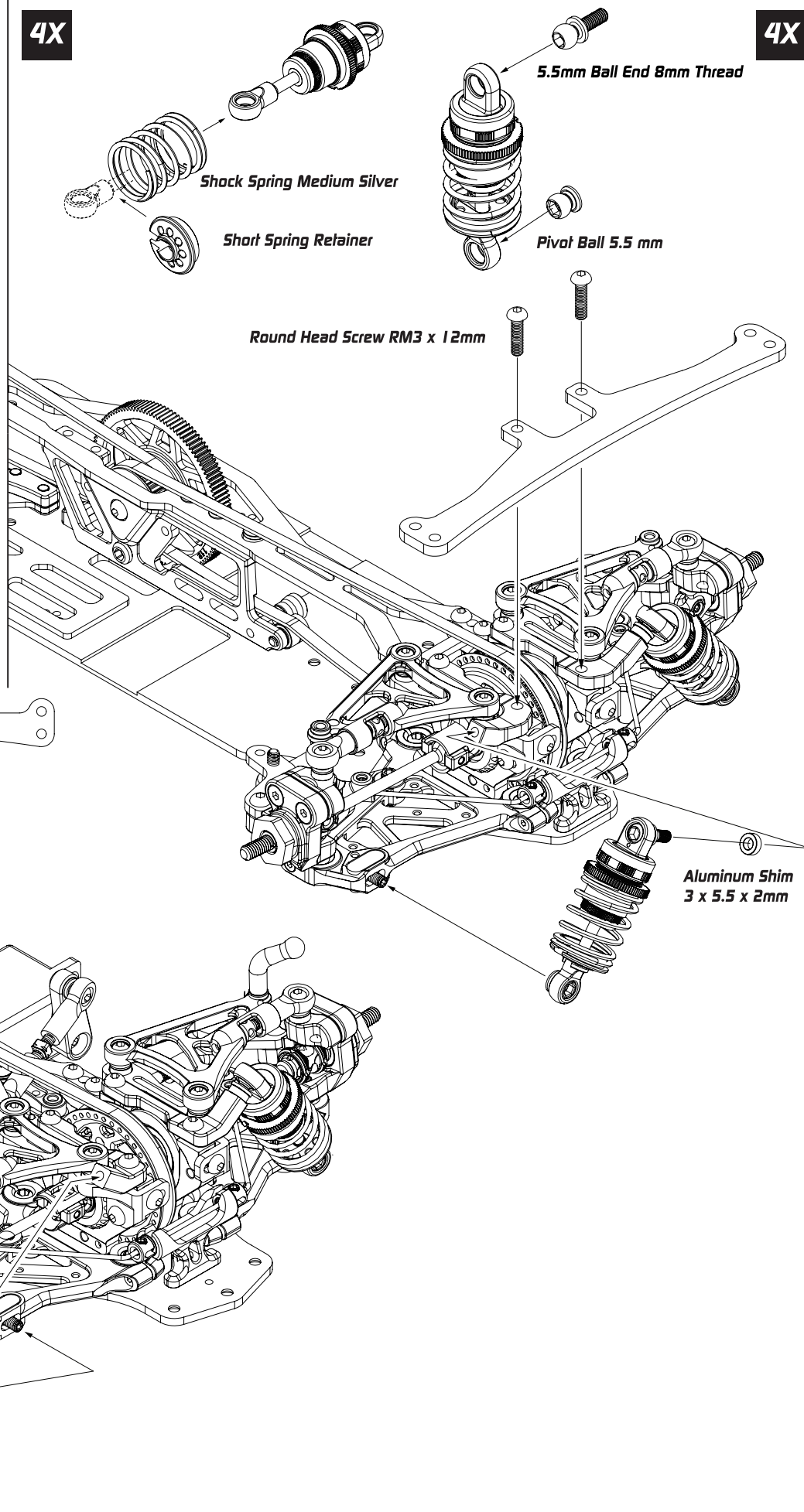




Bag L and HW Bag

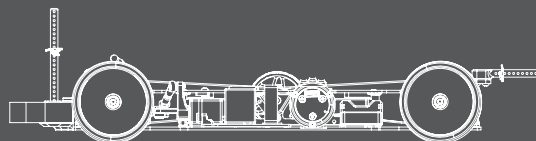
-  **5.5mm Ball End 8mm Thread**
XP-11128
-  **Short Spring Retainer**
XP-10724
-  **Shock Spring Medium Silver**
XP-10169
Optional
XP-10168 (Soft)
XP-10170 (Stiff)
-  **Pivot Ball 5.5 mm**
XP-10121
Optional : XP-11073
-  **Round Head Screw RM3 x 12mm**
XP-40040
-  **Aluminum Shim 3 x 5.5 x 2mm**
XP-10241

4X






4X

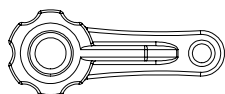
3mm Graphite Rear Body Post Mount
XP-11095



Bag M and HW Bag

-  Flat Head Screw M3 x 6mm
XP-40046
-  Flat Head Screw M3 x 8mm
XP-40048
-  Flat Head Screw M3 x 14mm
XP-40114
-  Round Head Screw M3 x 12mm
XP-40040

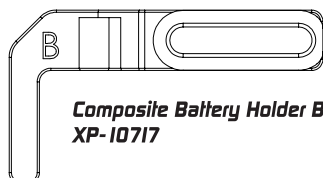
-  Composite Battery Holder Post
For LCG Battery
XP-10717
-  Battery Holder Spring
XP-10717
-  Battery Holder Post
XP-10717



Composite Battery Holder
XP-10717



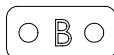
Composite Battery Holder Post
For Standard Battery
XP-10717



Composite Battery Holder Base B Front
XP-10717



Composite Battery Holder
Base B Back
XP-10717



Composite Battery Adaptor B
XP-10717



Hex Set Screw M3 x 4mm
XP-40053

Composite Battery
Adaptor B

Composite Battery Holder Base B Back

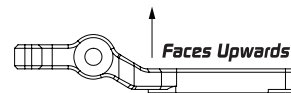
Flat Head Screw
M3 x 6mm

Composite Battery
Adaptor B

Flat Head Screw
M3 x 6mm

Composite Battery Holder Base B Front

Note The Direction



Note The Direction



Flat Head Screw
M3 x 8mm

Round Head Screw
M3 x 12mm

Flat Head Screw
M3 x 14mm

Hex Set Screw
M3 x 4mm

Battery Holder Spring

Battery Holder Post

Composite Battery Holder

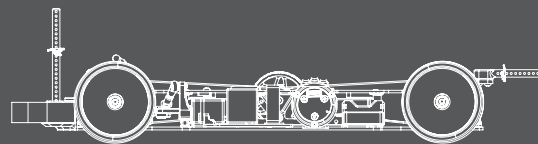
Composite Battery Holder Post
For Standard Battery



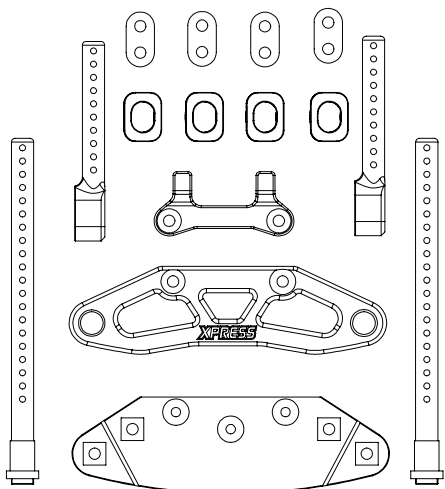
Composite Battery
Holder Post
For LCG Battery

Hold Battery Hook
For Easier
Installation

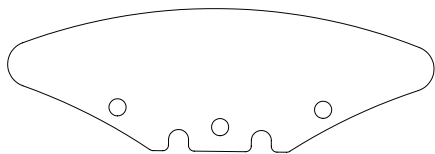
Pre-thread Post
For Easy Installation



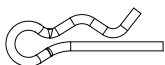
HW Bag



Low Profile Bumper Body Post Set V3
XP-11058



Foam Bumer Light V2
XP-11050



Body Clip
XP-10055

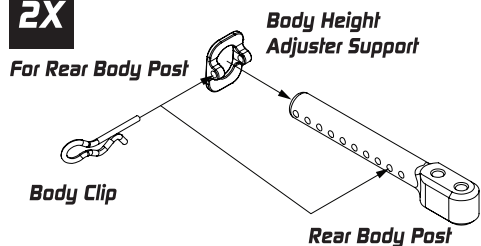


Flat Head Screw M3 x 8mm
XP-40048



Flat Head Screw M3 x 10mm
XP-40049

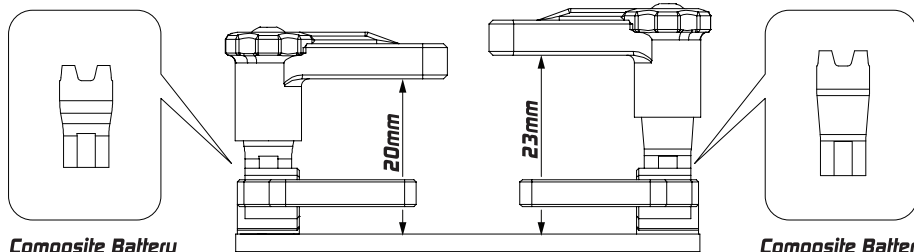
2X



Front Body Post

Lower Bumper

Flat Head Screw M3 x 8mm

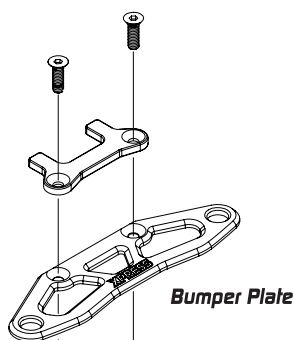


Composite Battery Holder Post
For LCG Battery
XP-10717

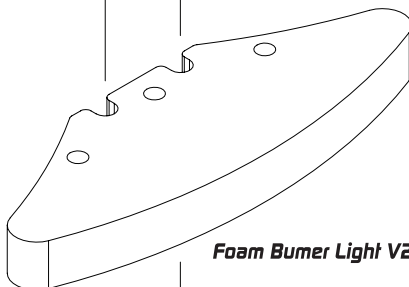
Freely Adjust Height Of Post With Shims,
Change To a 16mm Screw If Needed

Composite Battery Holder Post
For Standard Battery
XP-10717

Flat Head Screw M3 x 10mm

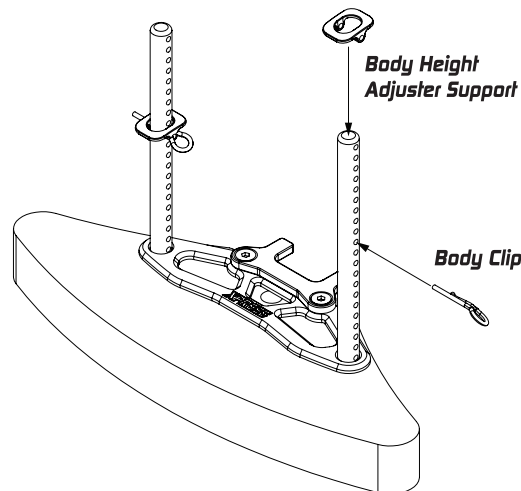


Bumper Plate



Foam Bumer Light V2

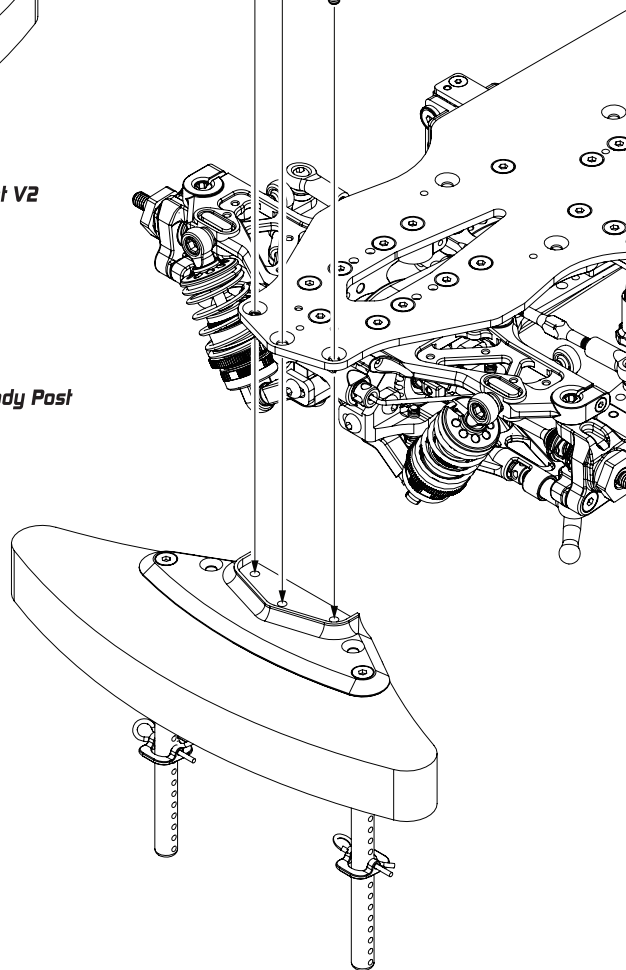
Front Body Post

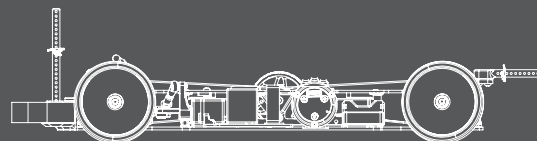


Body Height Adjuster Support

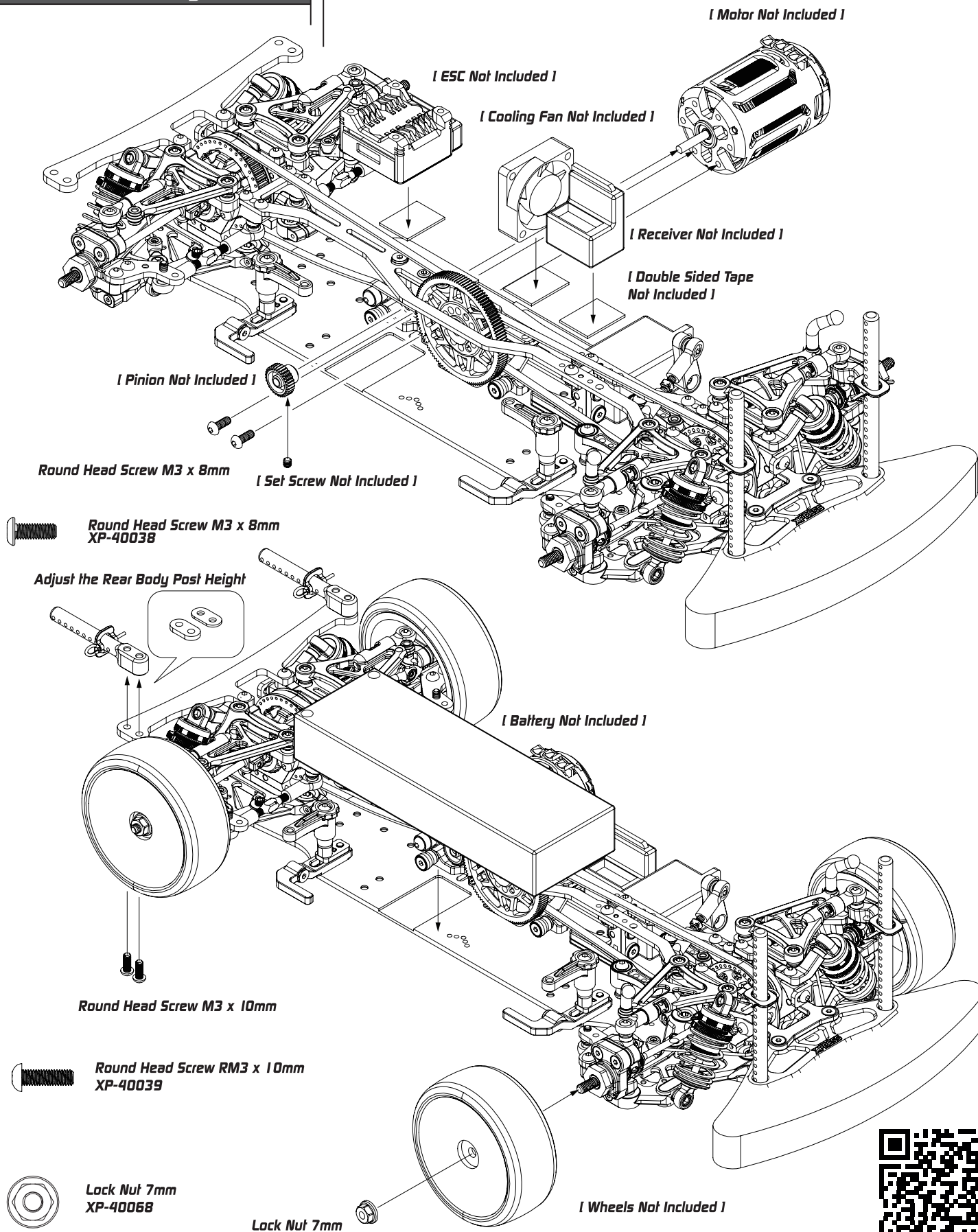
Body Clip

Flat Head Screw M3 x 8mm





Screw Bag

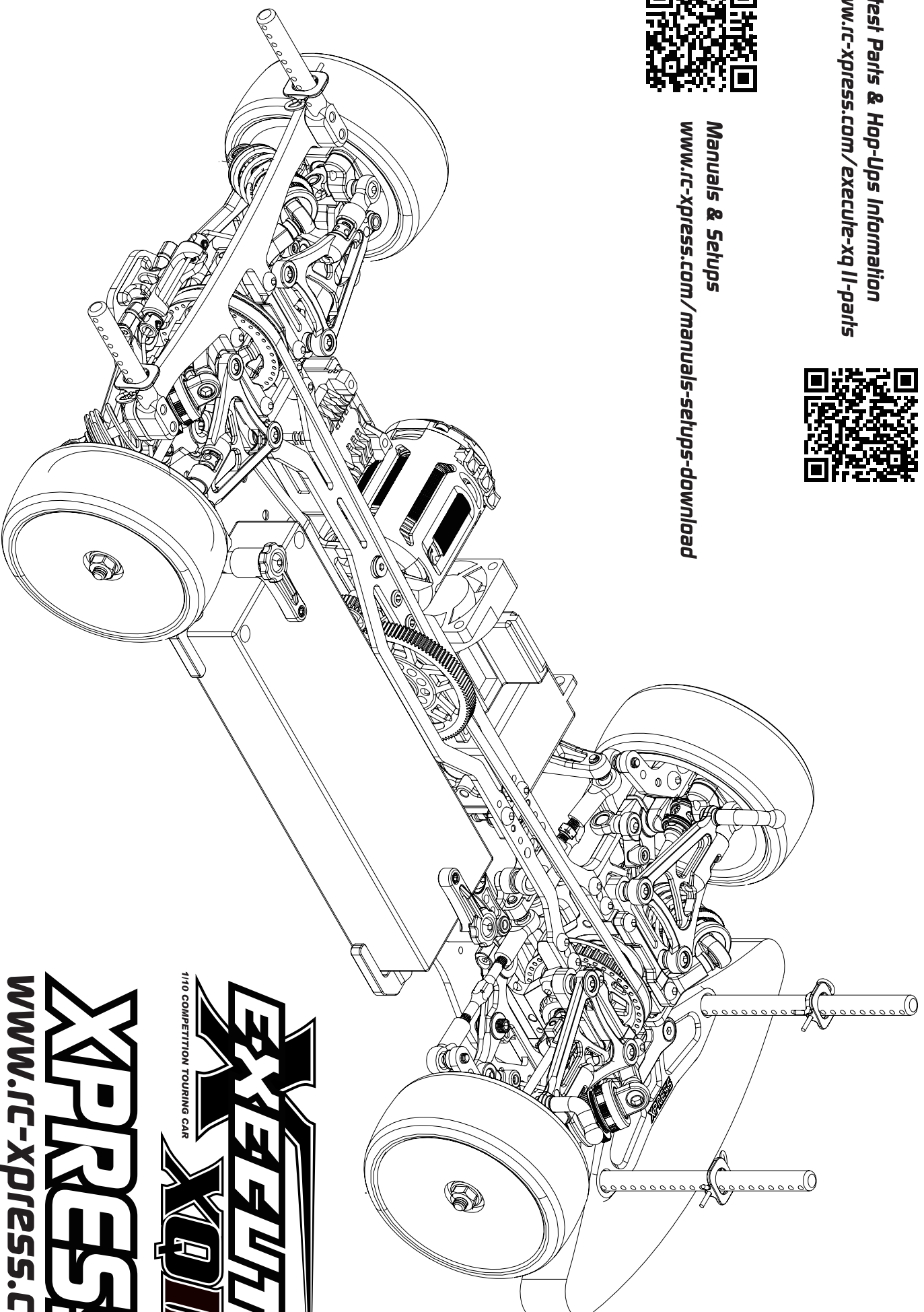


Latest Parts & Hop-Ups Information
www.rc-xpress.com/execute-xqii-parts

Latest Parts & Hop-Ups Information
www.rc-xpress.com/execute-xq-ii-parts



Manuals & Setups
www.rc-xpress.com/manuals-setups-download



EXECUTE
XQ II
1/10 COMPETITION TOURING CAR

XPRESS

www.rc-xpress.com

