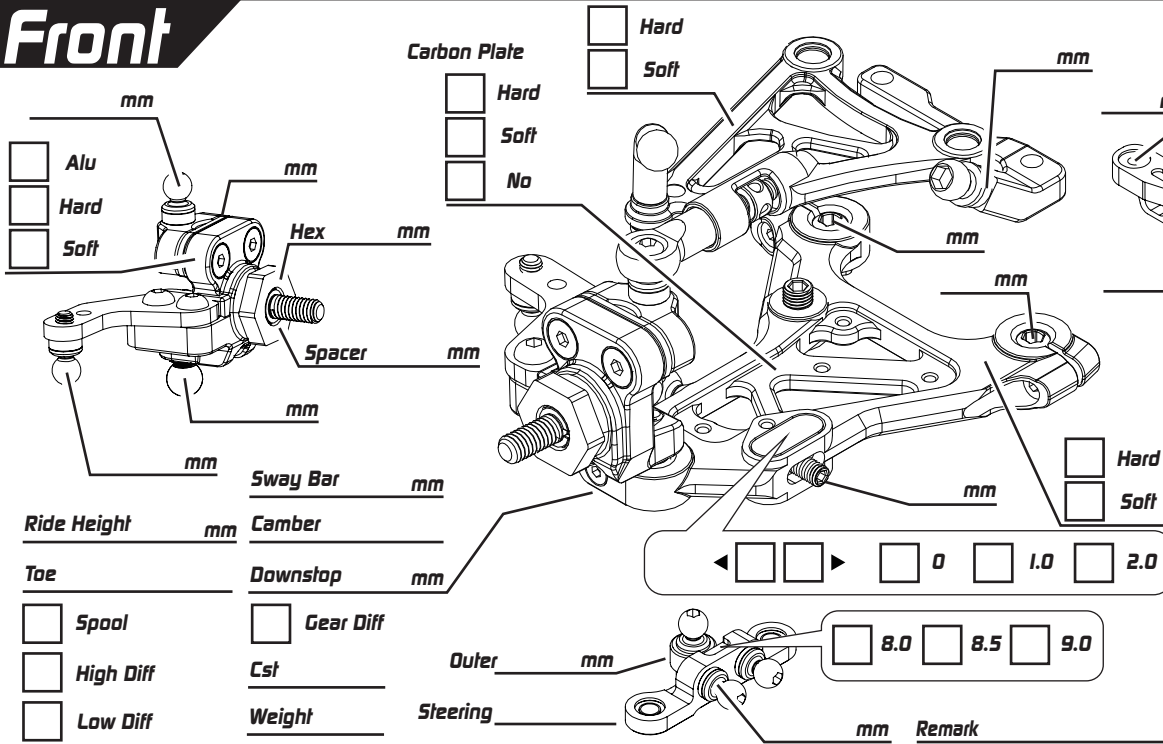


Driver _____ Track Surface _____ Track Temperature _____
 Date _____ Track Traction _____ Result _____ Air Temperature _____
 Track _____ Country _____ Best Lap _____ Humidity _____ Remark _____

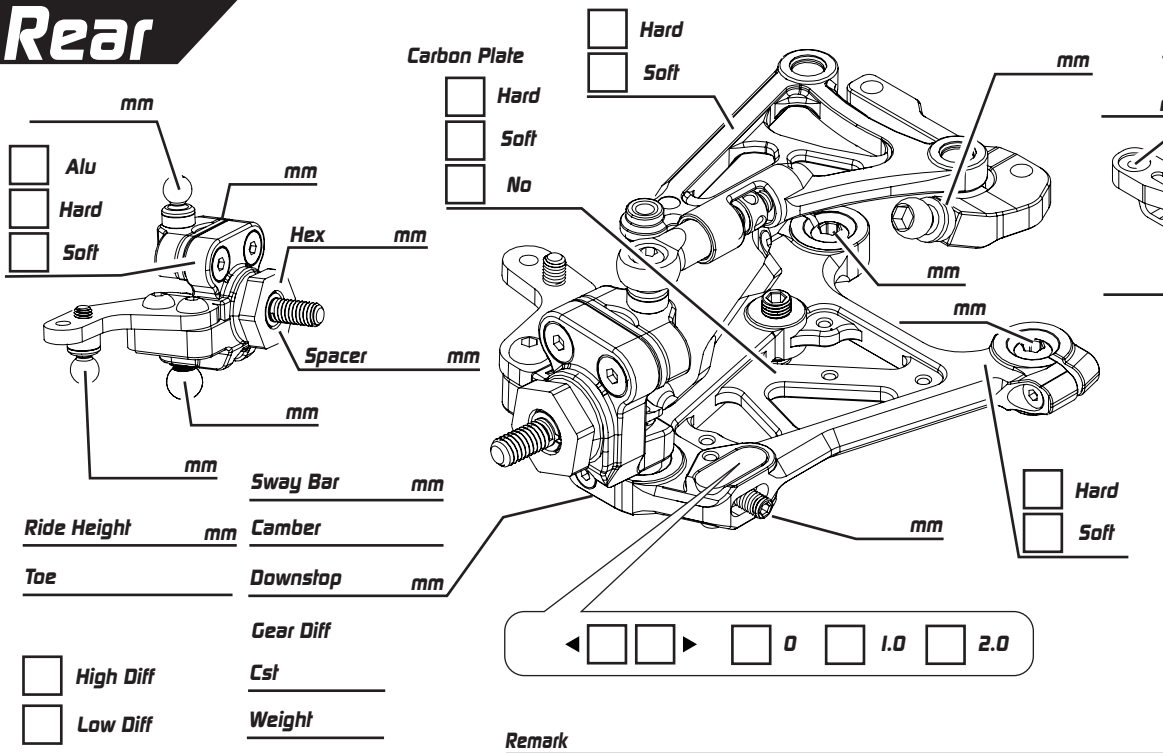
Front



Shocks

Spring _____
 Oil _____
 Rebound _____
 Piston _____
 Length _____
 Note _____

Rear



Shocks

Spring _____
 Oil _____
 Rebound _____
 Piston _____
 Length _____
 Note _____

Weight _____ g

Battery _____ **Body** _____

Tires _____ **Additive** _____

ESC _____ Motor _____ **Servo Horn Height** _____ mm
 Spur _____ P/ _____ T _____ Servo _____
 Pinon _____ P/ _____ T _____ FDR _____

Weight _____ g

Carbon
 Alu

Weight _____ g

