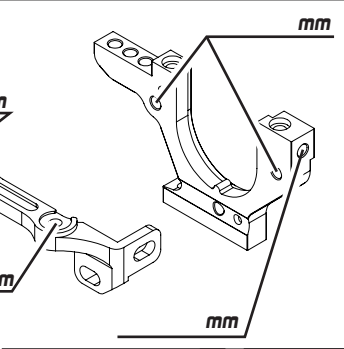
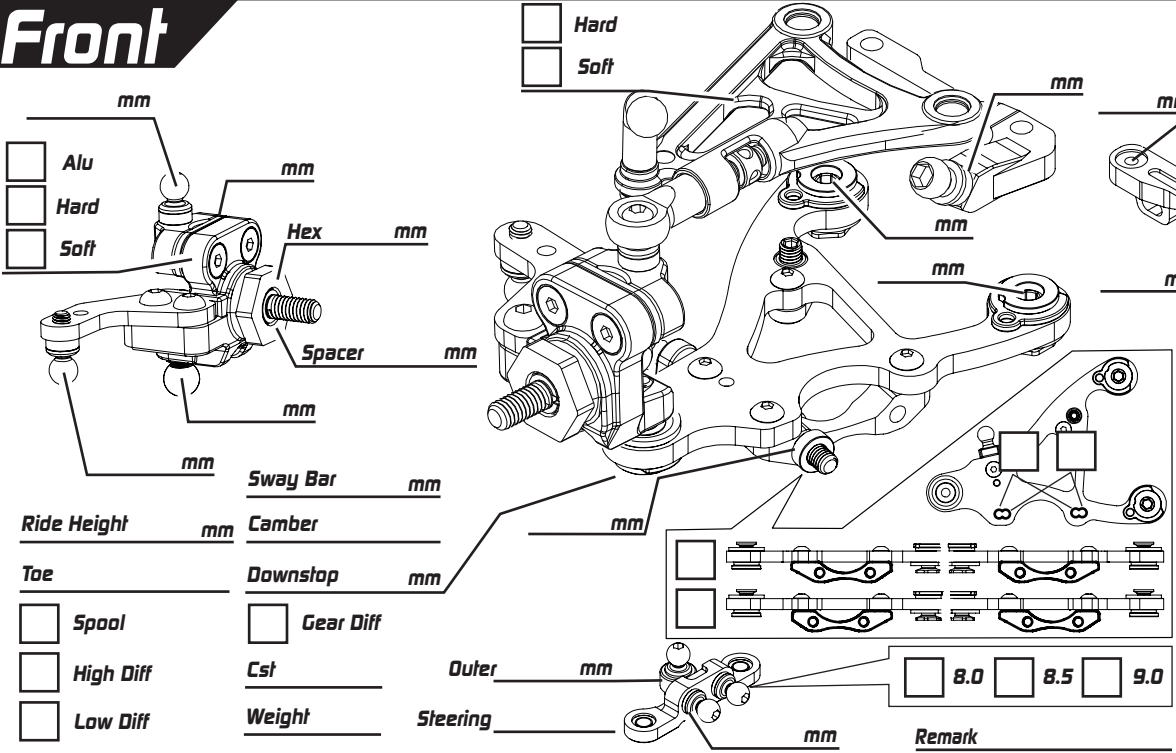


Driver _____ Track Surface _____ Track Temperature _____
 Date _____ Track Traction _____ Result _____ Air Temperature _____
 Track _____ Country _____ Best Lap _____ Humidity _____ Remark _____

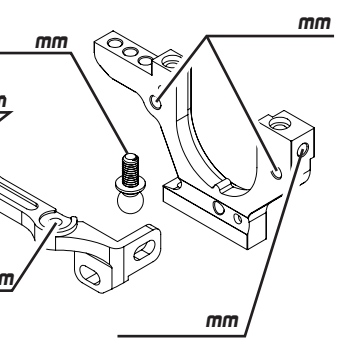
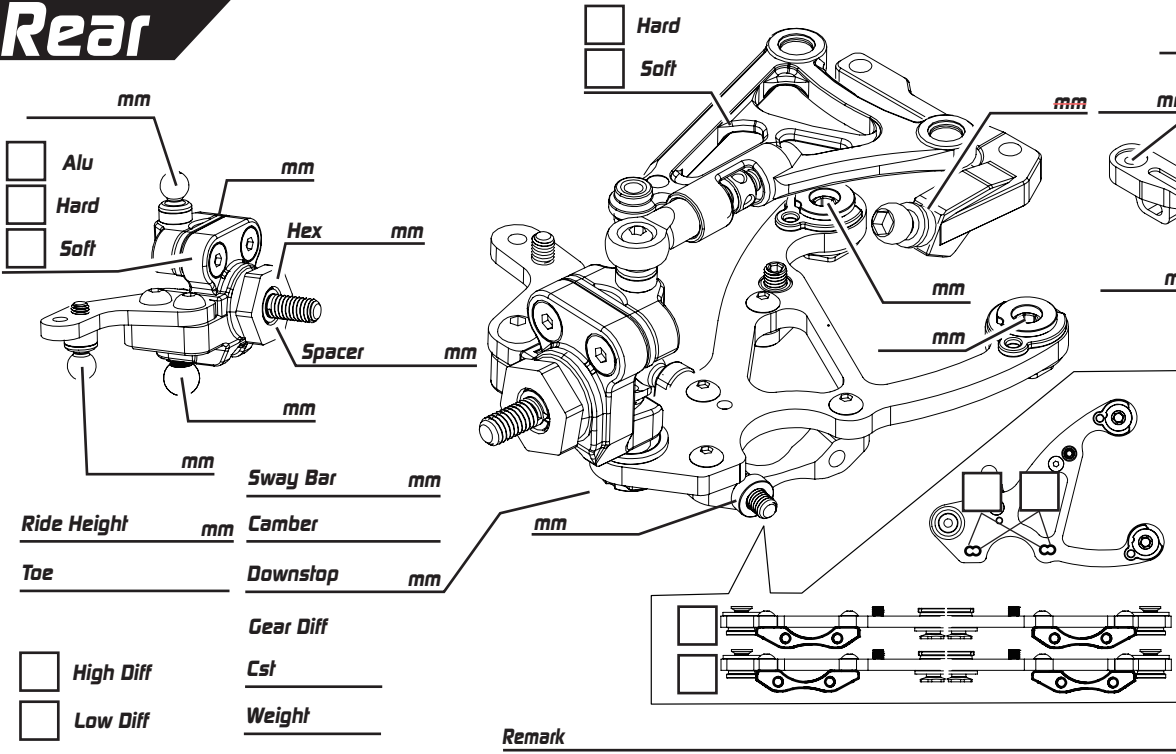
Front



Shocks

Spring _____
 Oil _____
 Rebound _____
 Piston _____
 Length _____
 Note _____

Rear



Shocks

Spring _____
 Oil _____
 Rebound _____
 Piston _____
 Length _____
 Note _____

Weight _____ g
 Battery _____
 Body _____
 Tires _____
 Additive _____
 ESC _____
 Motor _____
 Spur P/ T Servo _____
 Pinon P/ T FDR _____
 Servo Horn Height _____ mm
 Weight _____ g
 Carbon _____
 Alu _____
 Weight _____ g

