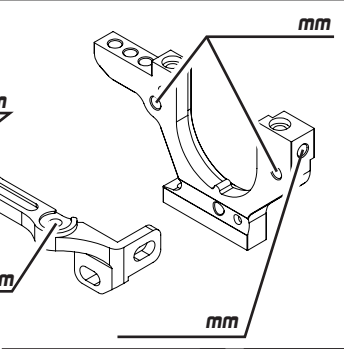
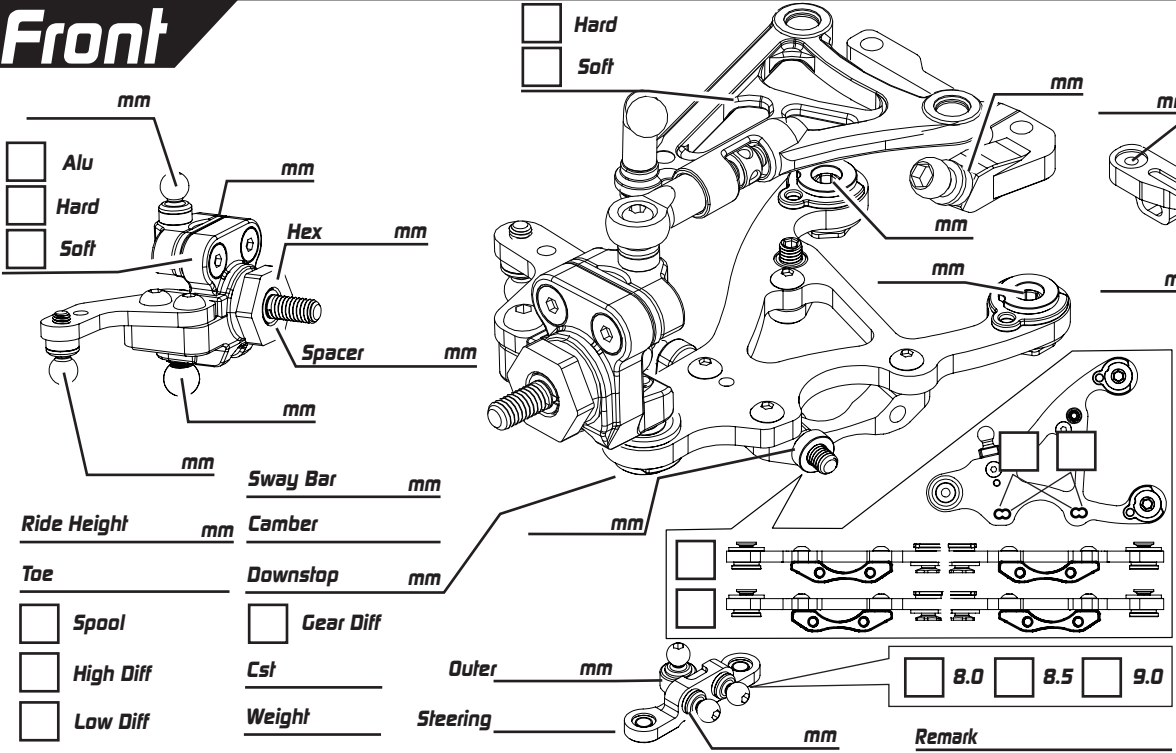


Driver \_\_\_\_\_ Track Surface \_\_\_\_\_ Track Temperature \_\_\_\_\_  
 Date \_\_\_\_\_ Track Traction \_\_\_\_\_ Result \_\_\_\_\_ Air Temperature \_\_\_\_\_  
 Track \_\_\_\_\_ Country \_\_\_\_\_ Best Lap \_\_\_\_\_ Humidity \_\_\_\_\_ Remark \_\_\_\_\_

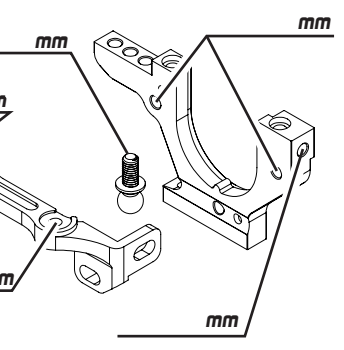
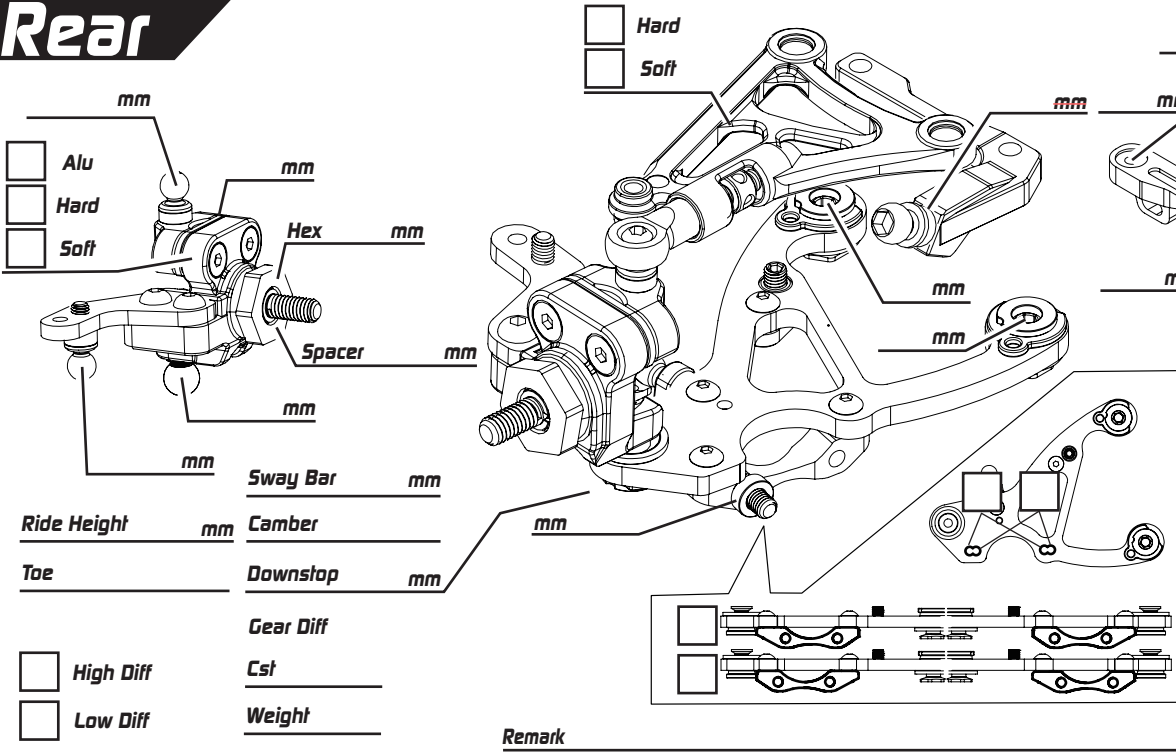
## Front



### Shocks

Spring \_\_\_\_\_  
 Oil \_\_\_\_\_  
 Rebound \_\_\_\_\_  
 Piston \_\_\_\_\_  
 Length \_\_\_\_\_  
 Note \_\_\_\_\_

## Rear



### Shocks

Spring \_\_\_\_\_  
 Oil \_\_\_\_\_  
 Rebound \_\_\_\_\_  
 Piston \_\_\_\_\_  
 Length \_\_\_\_\_  
 Note \_\_\_\_\_

**Weight** \_\_\_\_\_ g

**Battery** \_\_\_\_\_ **Body** \_\_\_\_\_

**Tires** \_\_\_\_\_ **Additive** \_\_\_\_\_

**ESC** \_\_\_\_\_ **Motor** \_\_\_\_\_ **Servo Horn Height** \_\_\_\_\_ mm

**Spur** \_\_\_\_\_ **P/T** \_\_\_\_\_ **Servo** \_\_\_\_\_

**Pinon** \_\_\_\_\_ **P/T** \_\_\_\_\_ **FDR** \_\_\_\_\_

**Weight** \_\_\_\_\_ g

Carbon  
 Alu

**Weight** \_\_\_\_\_ g

