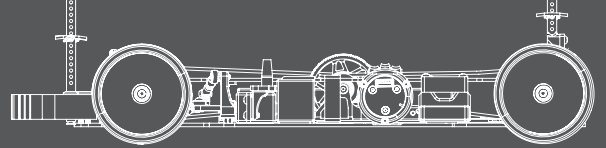
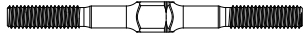


EXECUTE
1/10 COMPETITION TOURING CAR **XQ10**

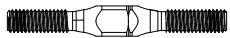
INSTRUCTION MANUAL



Bag A



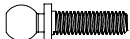
Turnbuckle M3 x 39mm
XP-10157



Turnbuckle M3 x 29mm
XP-10156



Turnbuckle M3 x 18mm
XP-10157



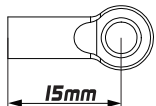
4.8mm Ball End 10mm Thread
XP-10151



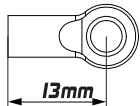
4.8mm Ball End 6mm Thread
XP-10149



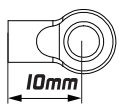
4.8mm Ball End 5mm Thread
XP-10148



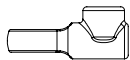
4.8mm Flat Type Ball End 15mm
XP-10636



4.8mm Flat Type Ball End 13mm
XP-10635

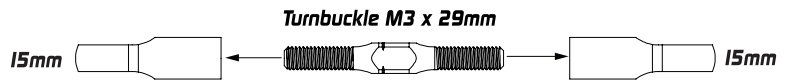


4.8mm Flat Type Ball End 10mm
XP-10634

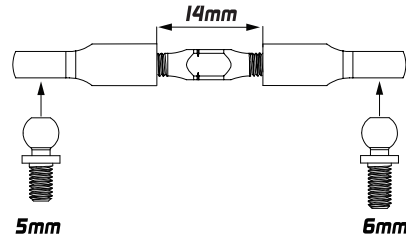


Composite Anti-Roll Bar Ball Joint
XP-10652

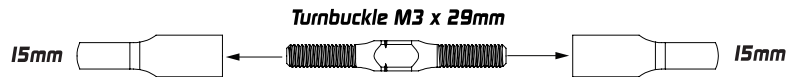
2X



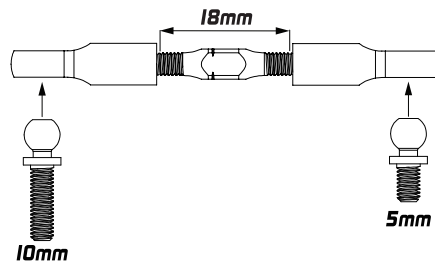
For Rear Camber Link



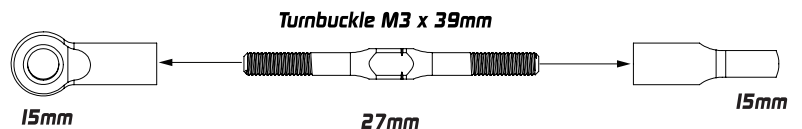
2X



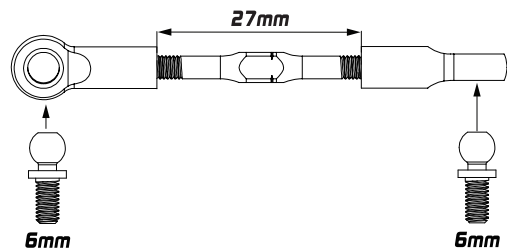
For Front Camber Link



2X



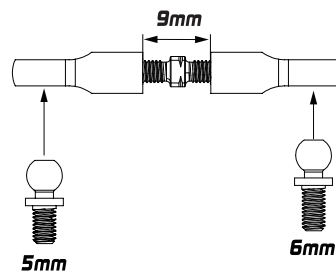
For Steering



1X

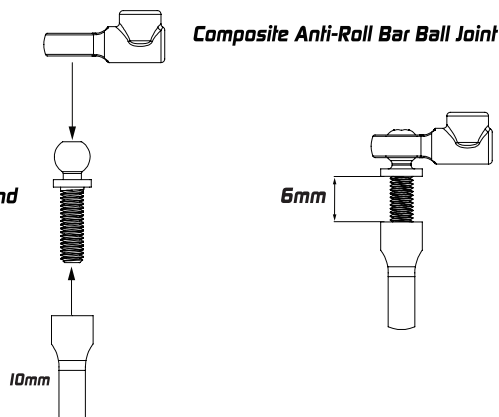


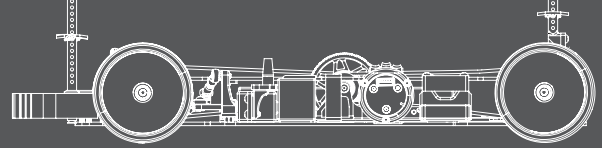
For Servo



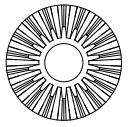
4X

For Swaybar





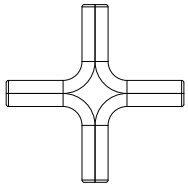
Bag B and Bearing Bag



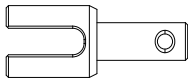
Bevel Gears 18T
XP-10009



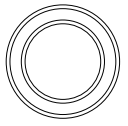
Bevel Gears 10T
XP-10009



Gear Diff Cross Pin
XP-10009



Alu Gear Diff Outdrive Adapter
XP-10125



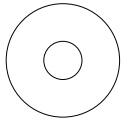
Bearing 10 x 15 x 4mm
XP-40065



Silicone Gear Differential X-RING 5x2mm
XP-10600



Pin 2 x 9.8mm
XP-40069



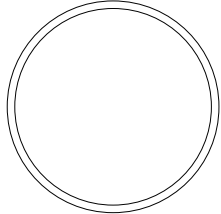
Spacer 5 x 15.5 x 0.4mm
XP-10181



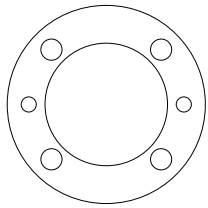
Spacer 3.6 x 9.5 x 0.2mm
XP-10182



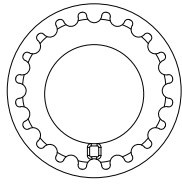
Flat Head Screw M2.5 x 8mm
XP-40044



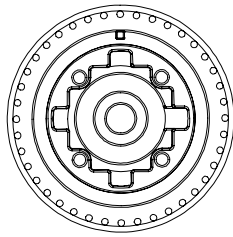
O-ring 25 x 1mm
XP-10183



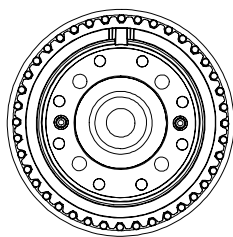
Diff Gasket
XP-10179



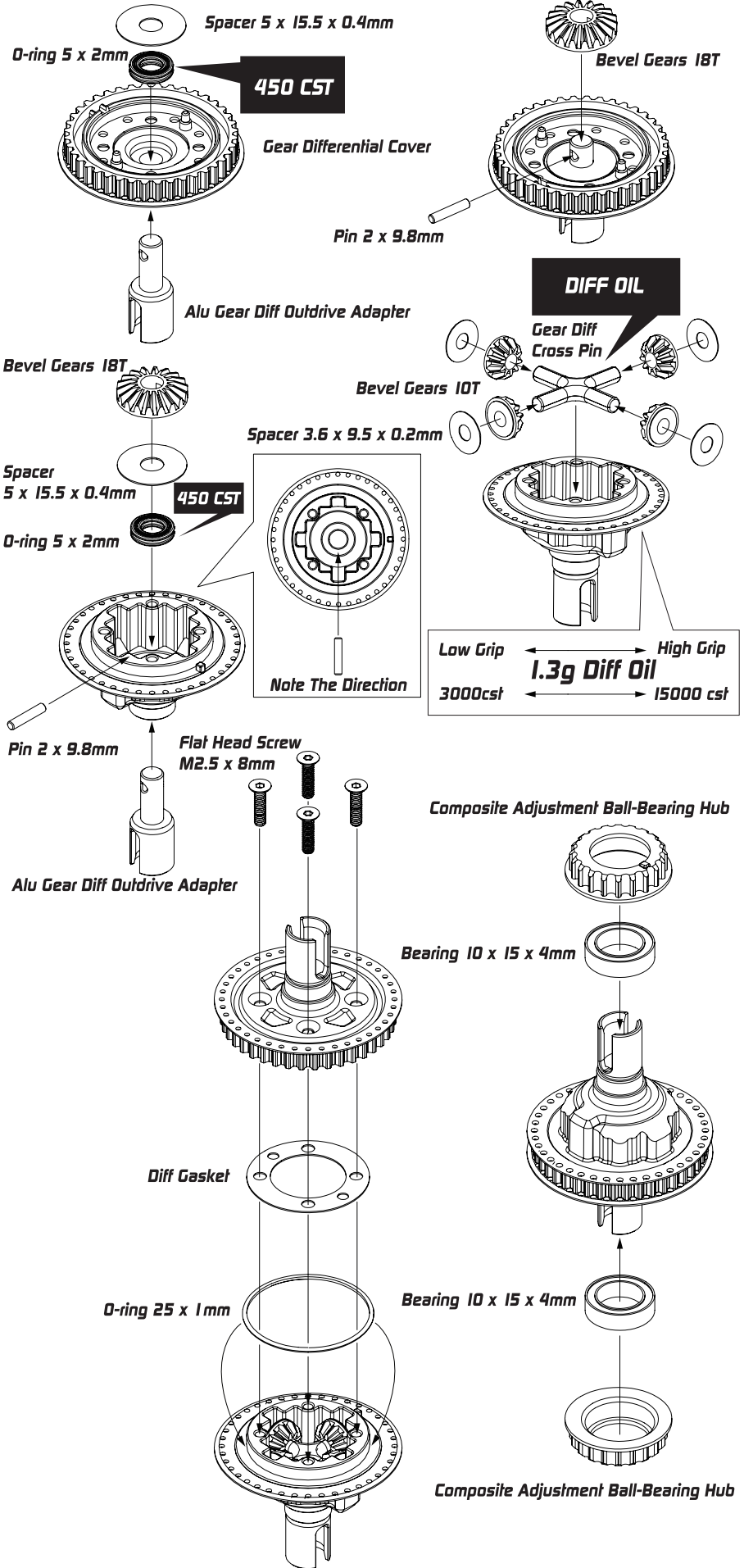
Composite Adjustment
Ball-Bearing Hub
XP-10107

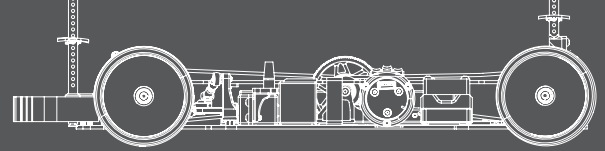


Gear Differential Case
XP-10008

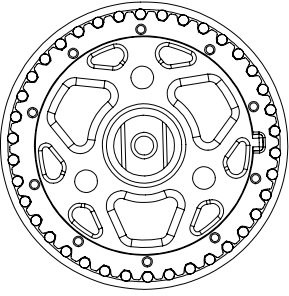


Gear Differential Cover
XP-10008

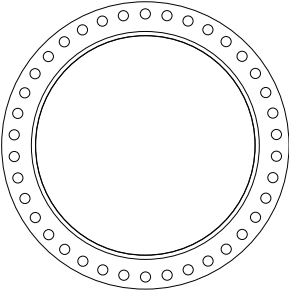




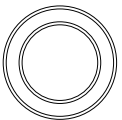
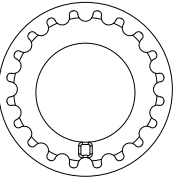
Bag C , Bag Bearing and Screw Bag



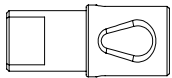
**Composite 38T Spool Set
XP-10264**



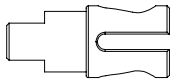
**Composite Adjustment Ball-Bearing Hub
XP-10107**



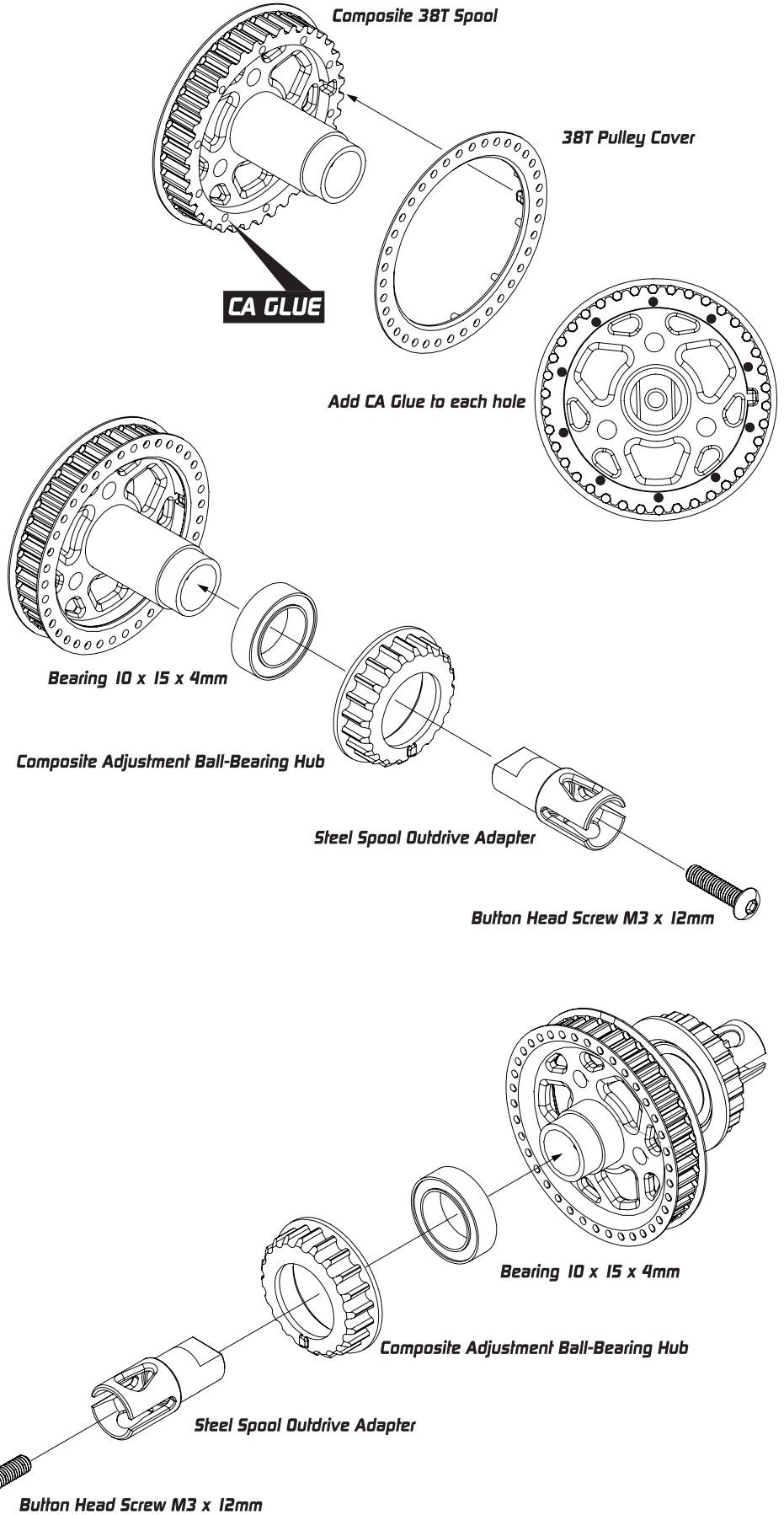
**Bearing 10 x 15 x 4mm
XP-40065**

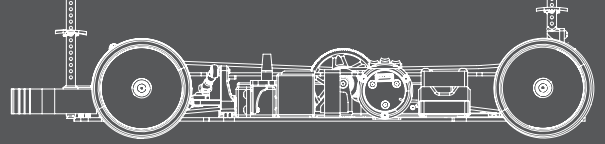


**Steel Spool Outdrive Adapter
XP-10556**

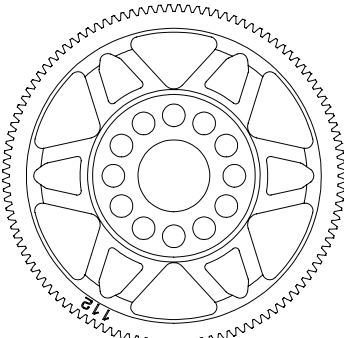


**Button Head Screw M3 x 12mm
XP-40040**

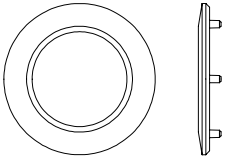




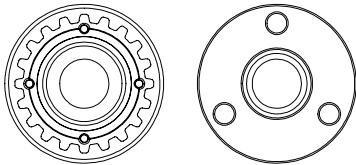
Bag D , Bag Bearing and Screw Bag



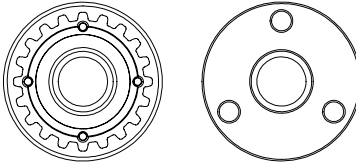
Spur Gear 64P 112T
XP-40084



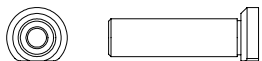
Center Pulley Cover
XP-10644



Center Pulley A
XP-10644



Center Pulley B
XP-10644



Center Pulley Post
XP-10620



Bolt Head Screw M3 x 6mm
XP-40037



Bearing 5 x 10 x 4mm
XP-40064



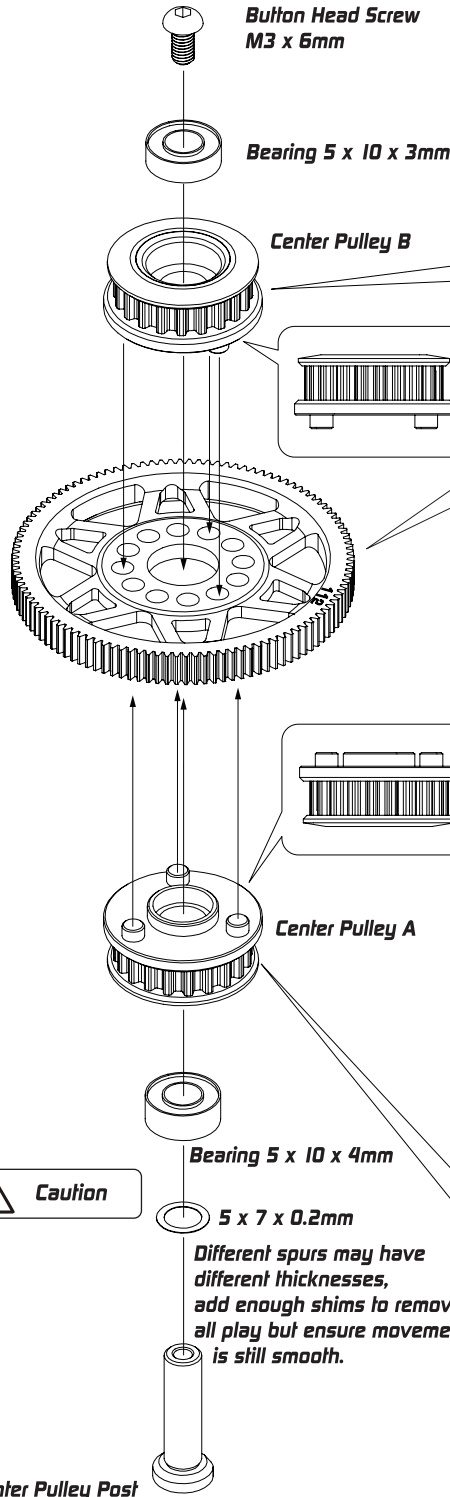
Bearing 5 x 10 x 3mm
XP-40063



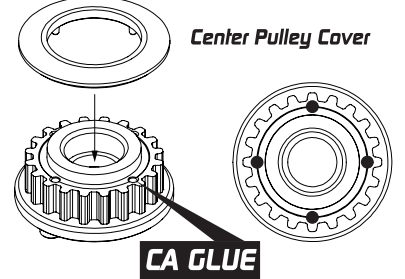
5 x 7 x 0.1mm Spacer
XP-40117



5 x 7 x 0.2mm Spacer
XP-40086



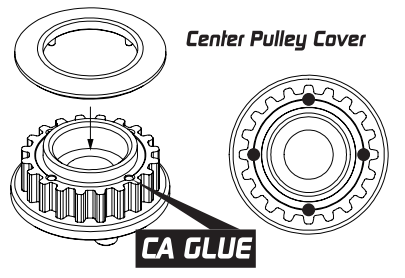
Add CA Glue to each hole

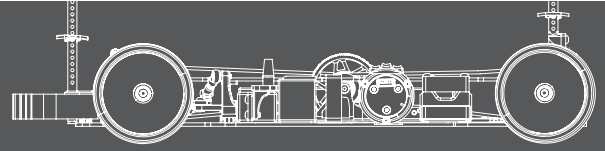


64P Spur Gear

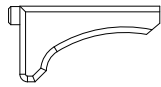
- OP** High Composite Spur Gear 64P 94T XP-40122
- OP** High Composite Spur Gear 64P 96T XP-40082
- OP** High Composite Spur Gear 64P 98T XP-40081
- OP** High Composite Spur Gear 64P 100T XP-40121
- OP** High Composite Spur Gear 64P 110T XP-40083
- KIT** High Composite Spur Gear 64P 112T XP-40084
- OP** High Composite Spur Gear 64P 114T XP-40085

Add CA Glue to each hole

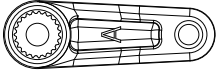




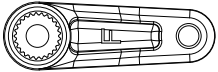
Bag E, Carbon, Screw, Spacer and Bearing Bag



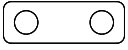
Servo Side Mount
XP-10136



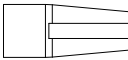
Servo Horn 23T for Sanwa, KO
XP-10163



Servo Horn 25T for Fulaba
XP-10163



Servo Spacer
XP-10136



Antenna Holder
XP-10001



Aluminum Steering Post For Dual Servo Saver 11.5mm
XP-10494



Alu Shim 3 x 5.5 x 1mm
XP-10119



Flat Head Screw M3 x 10mm
XP-40049



Flat Head Screw M3 x 6mm
XP-40046



Battery Stopper
XP-10185



Bearing 5 x 8 x 2.5mm
XP-40061



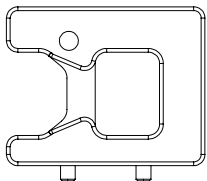
Bearing 3 x 6 x 2.5mm
XP-40060



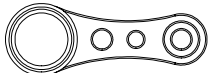
Round Head Screw M3 x 8mm
XP-40038



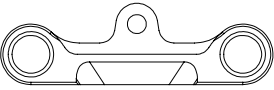
Round Head Screw M3 x 6mm
XP-40037



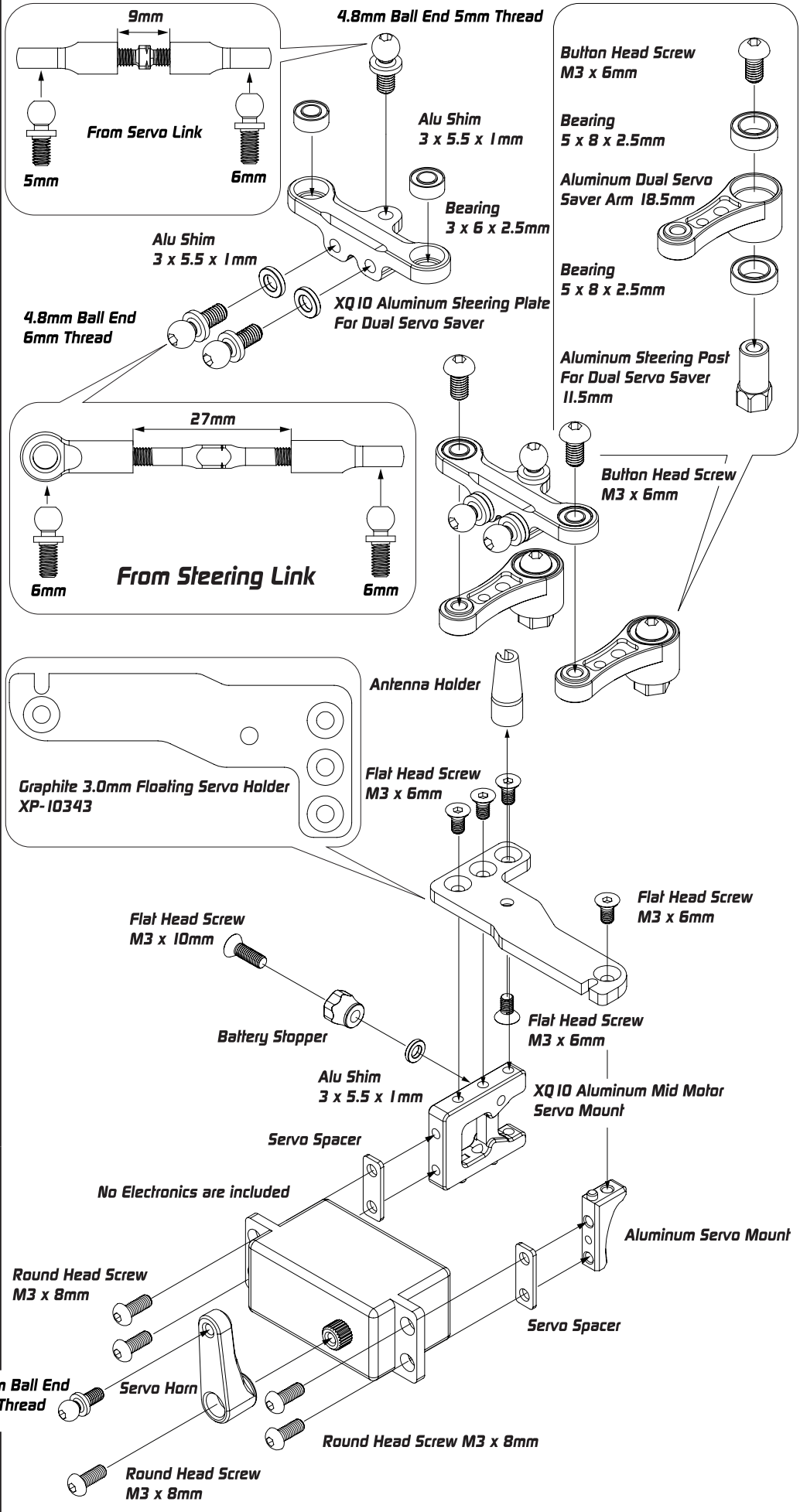
XQ10 Aluminum Mid Motor Servo Mount
XP-10555

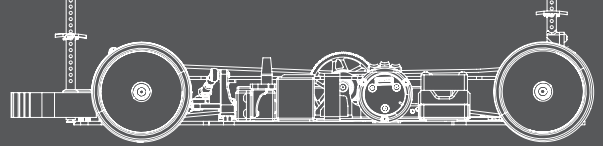


Aluminum Dual Servo Saver Arm 18.5mm
XP-10650

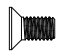
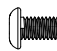





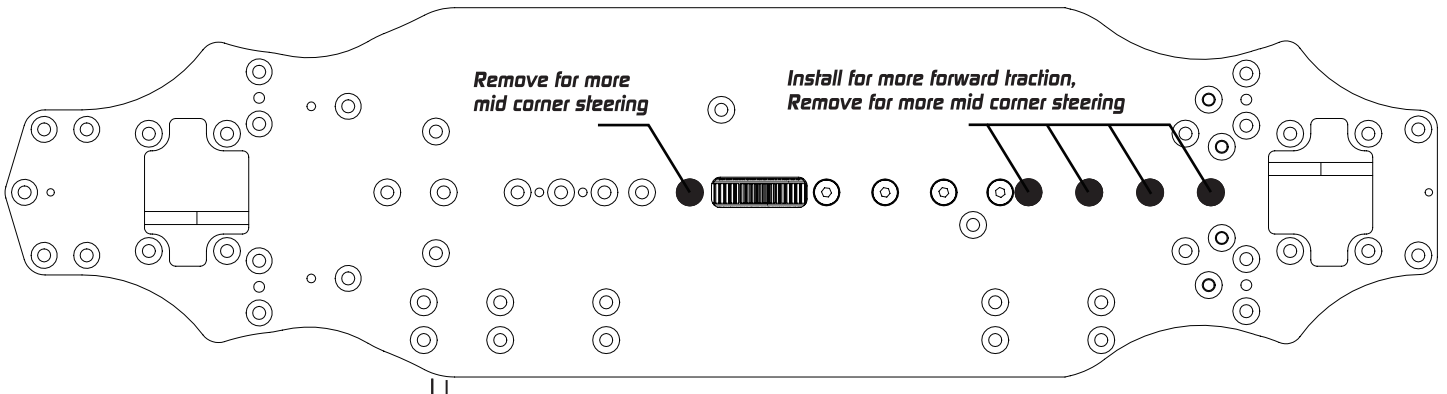
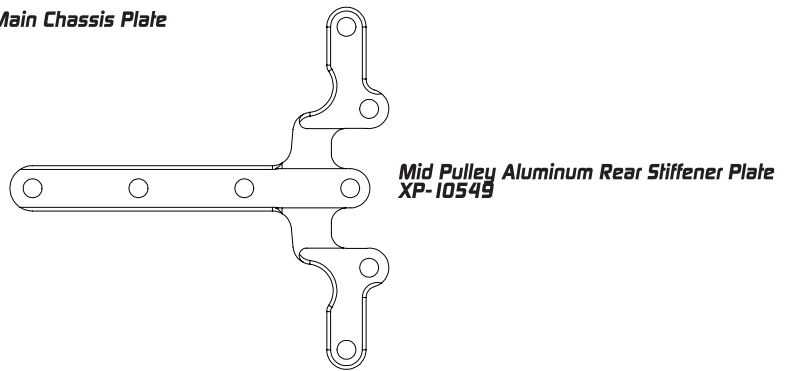
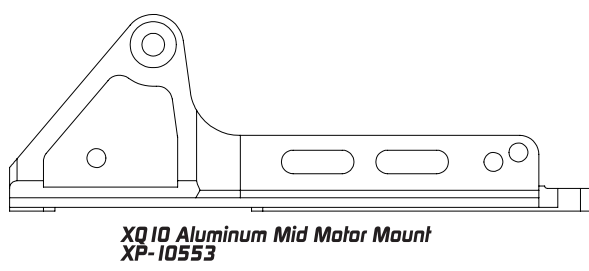
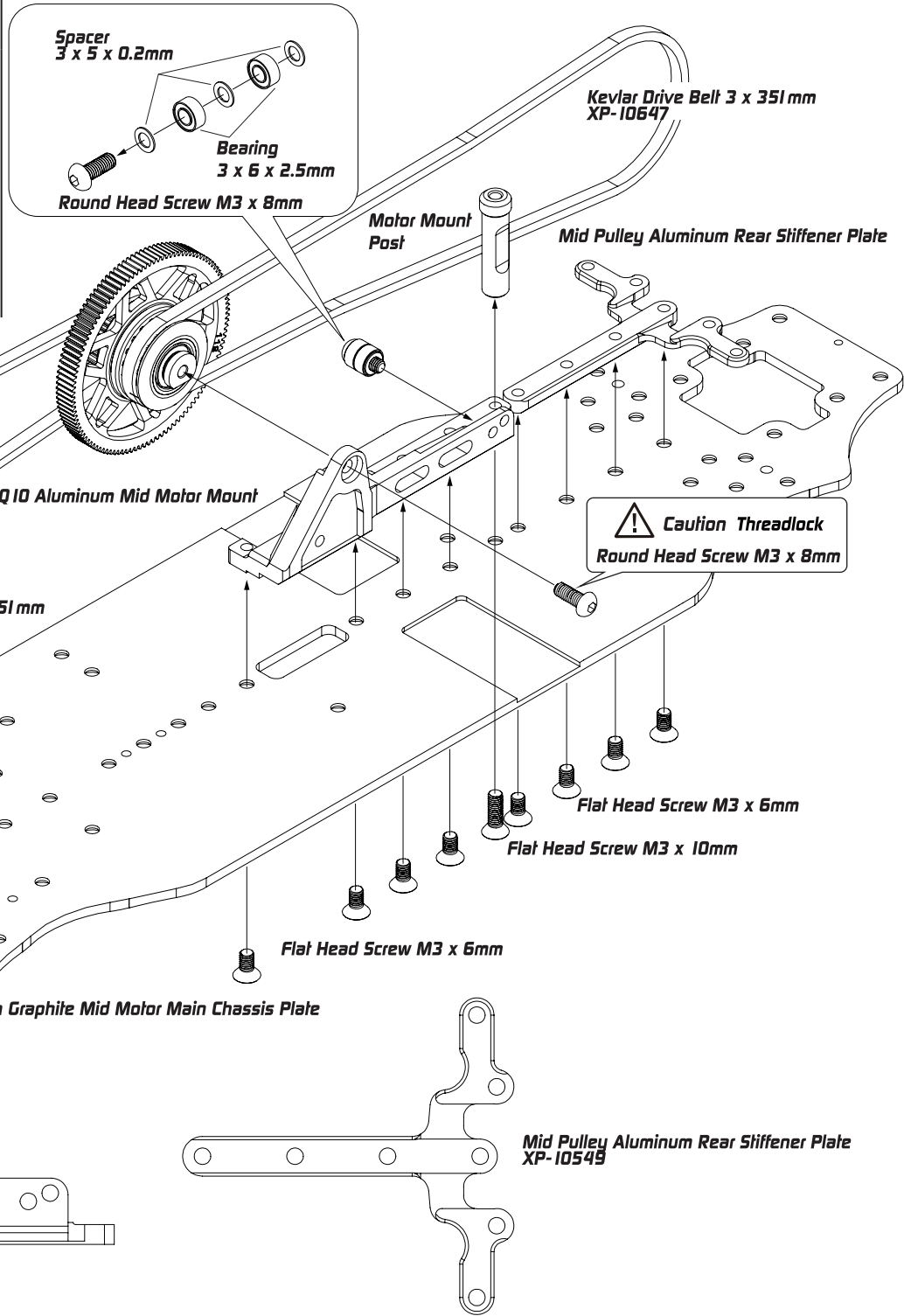
XQ10 Aluminum Steering Plate For Dual Servo Saver
XP-10651

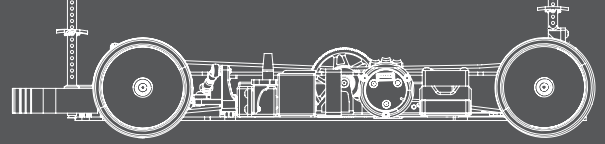




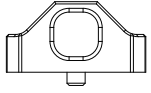
Bag F , Bag Carbon Bag Bearing and Screw Bag

-  **Flat Head Screw M3 x 6mm**
XP-40046
-  **Round Head Screw M3 x 8mm**
XP-40038
-  **Spacer 3 x 5 x 0.2mm**
XP-40066
-  **Bearing 3 x 6 x 2.5mm**
XP-40060
-  **Motor Mount Post**
XP-10135





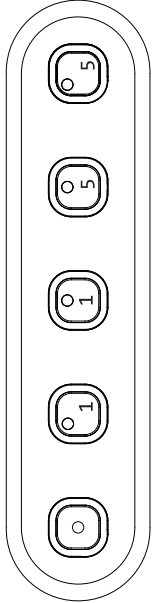
Bag G and Screw Bag



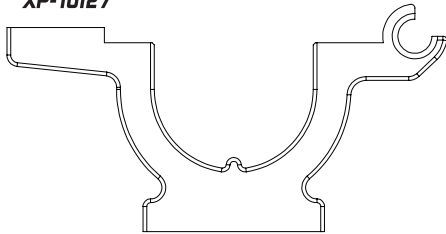
Alu Lower 2-Piece Suspension Holder
XP-10123



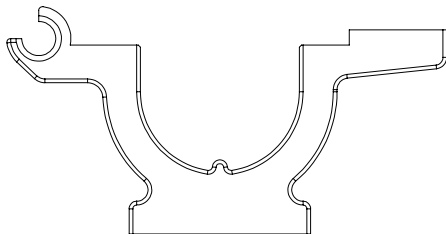
Flat Head Screw M3 x 6mm
XP-40046



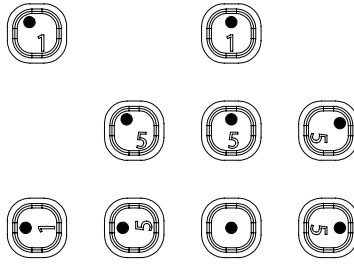
Eccentric Bushing Set
XP-10127



Separate Bulkhead Type A
XP-10588



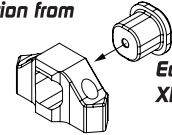
Separate Bulkhead Type B
XP-10589



Diagonal Offset
Use either 0.5 or 1 mm to shift the roll center in a diagonal direction from the center.

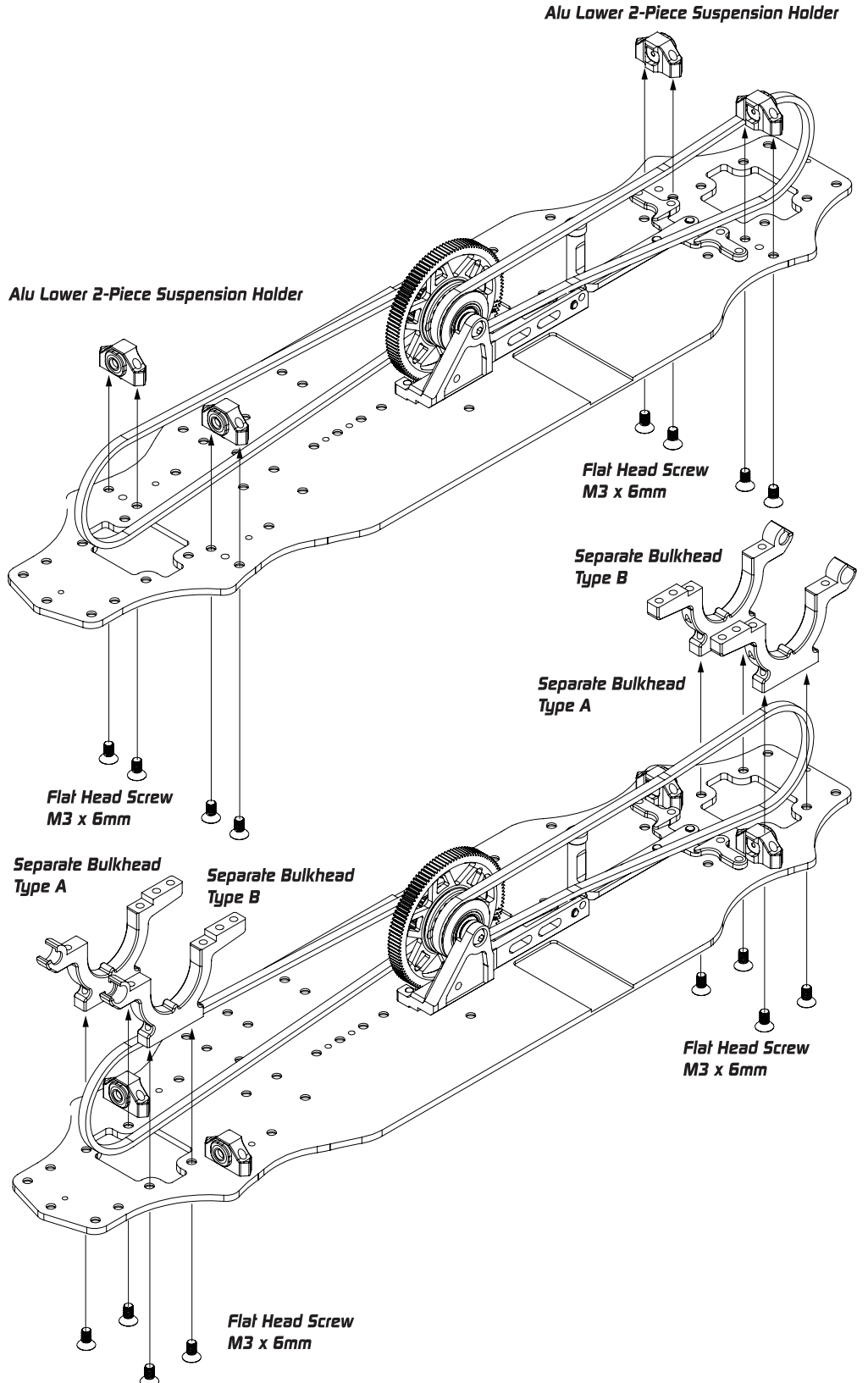
4X

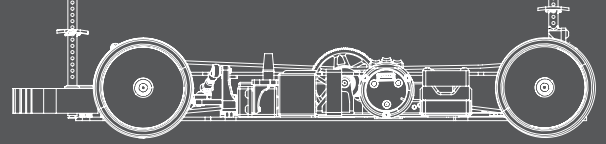
Horizontal Offset
Choice of either 0.5 or 1 mm offset from center



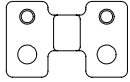
Eccentric Bushing Set
XP-10127

Alu Lower 2-Piece Suspension Holder XP-10123





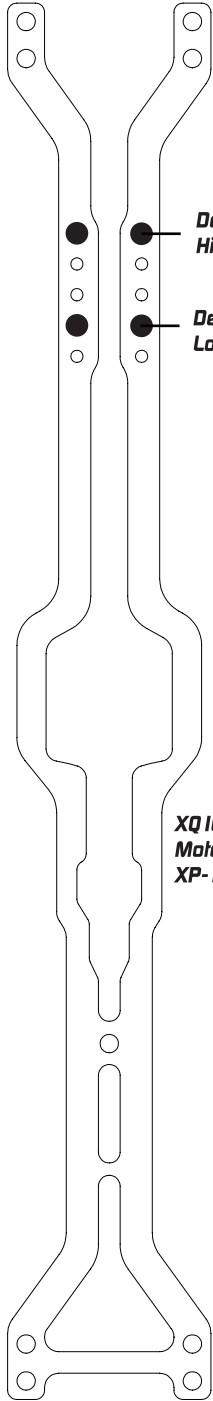
Bag G , Bag Carbon and Screw



Composite Upper Deck Stiffener
XP-10643



Button Head Screw M3 x 6mm
XP-40037



● **Default Setup**
High Response

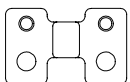
● **Default Setup**
Low Response

XQ10 2.0mm Graphite Mid Motor Upper Deck
XP-10552

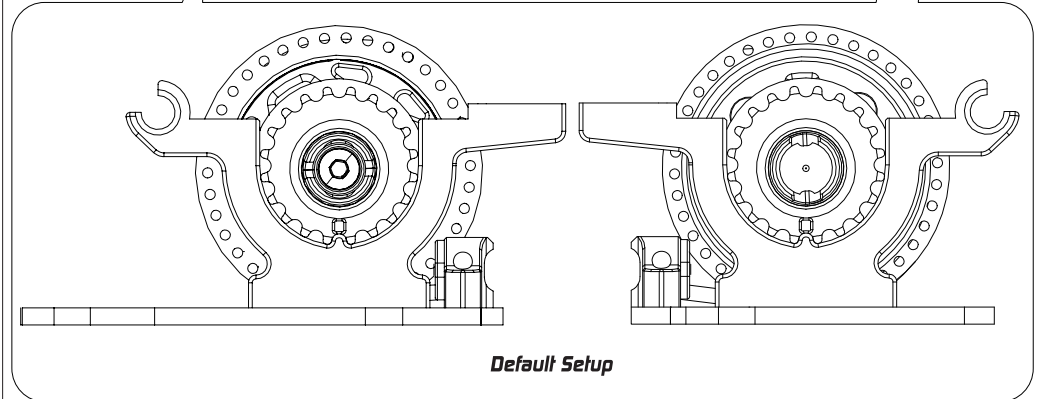
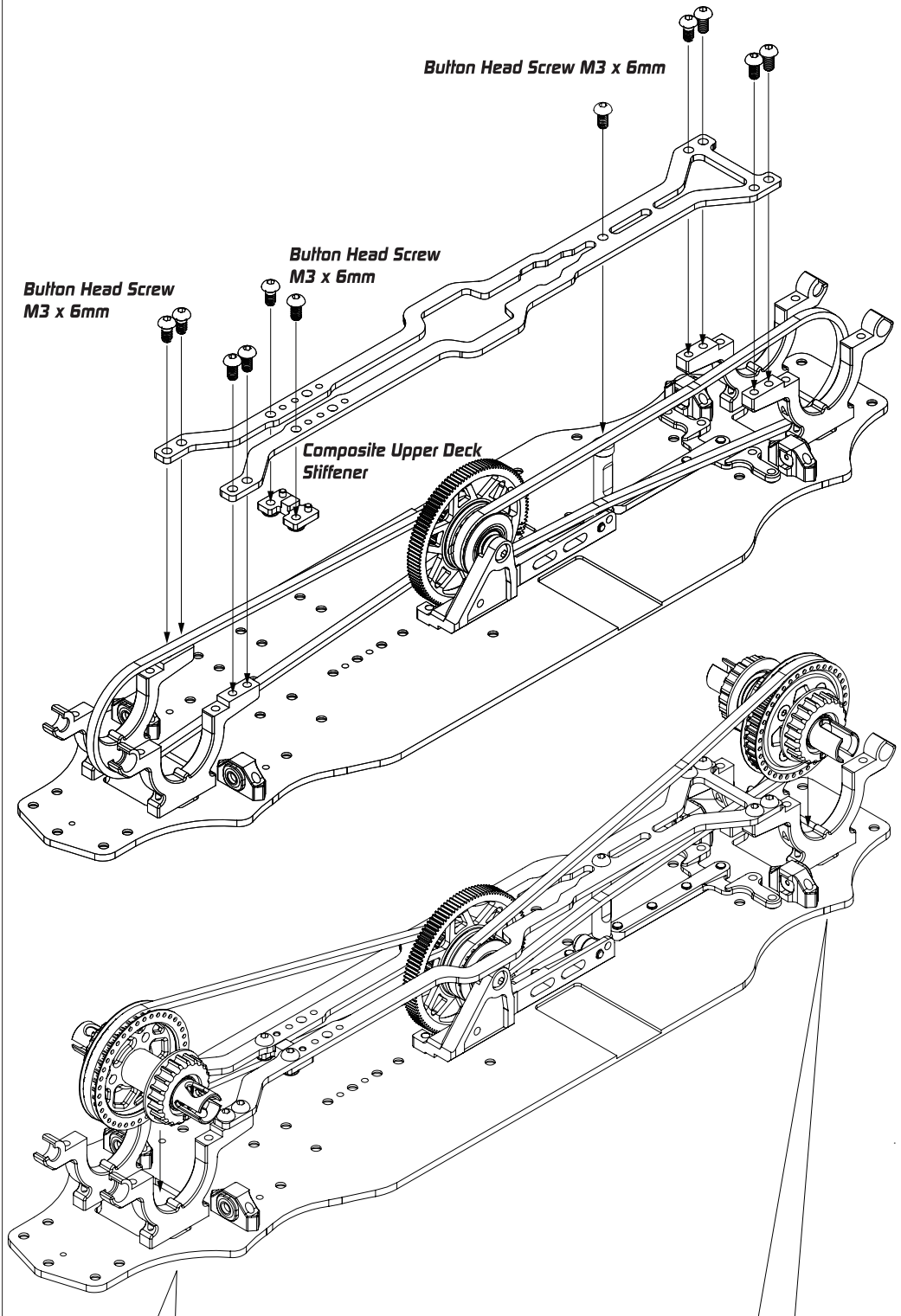
Optional

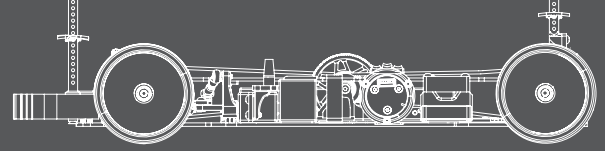


Button Head Screw M3 x 4mm
XP-40036



Upper Deck Stiffener
XP-10566

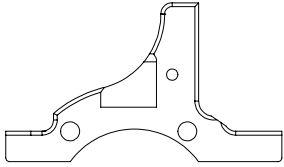




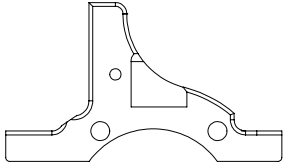
Bag H , Screw Bag



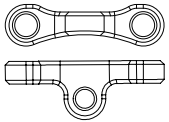
**Round Head Screw M3 x 8mm
XP-40038**



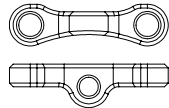
**XQ10 Separate Upper Bulkhead Type A
XP-10563**



**XQ10 Separate Upper Bulkhead Type B
XP-10558**

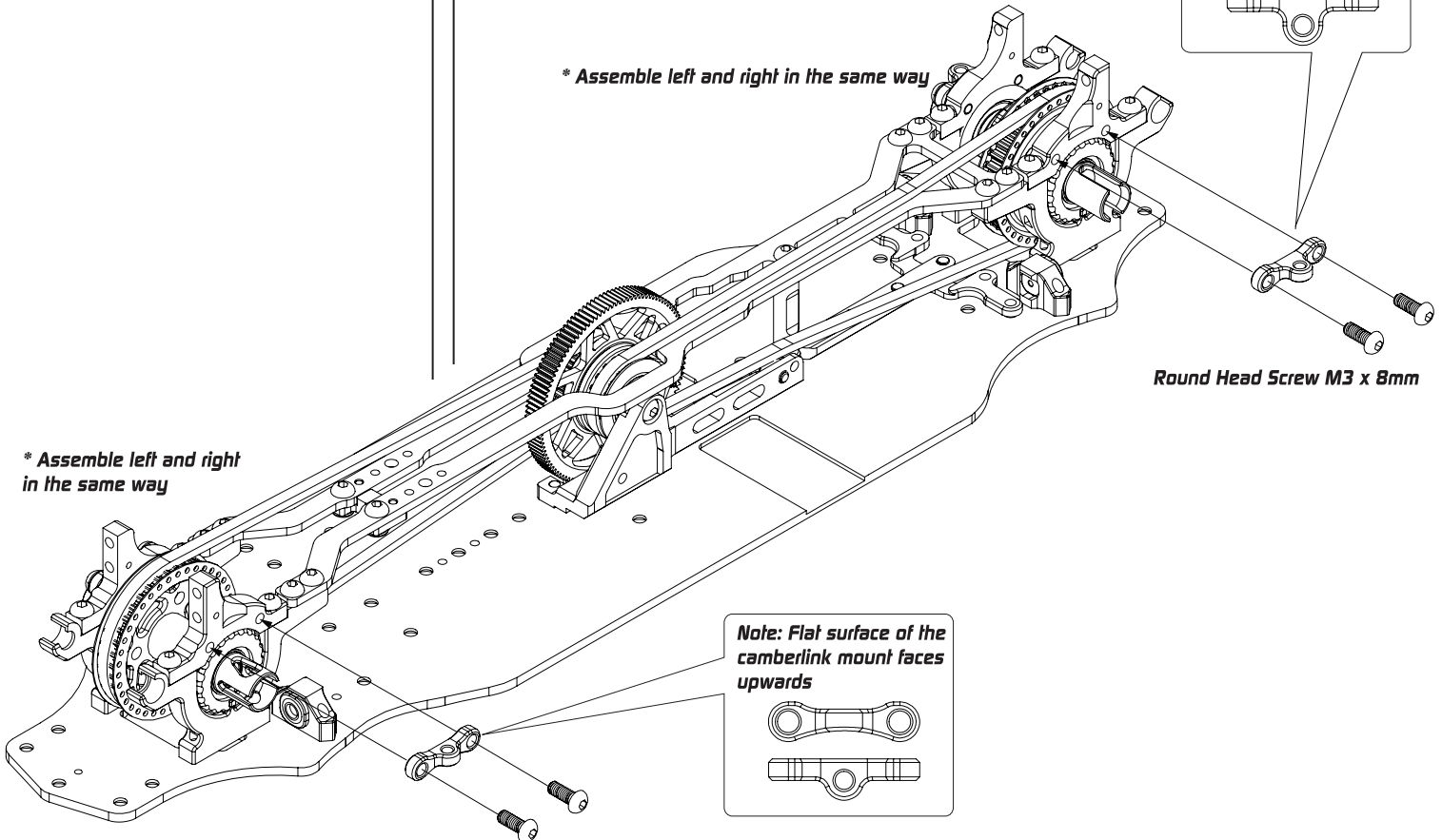


**Camberlink Mount Rear
XP-10131**



**Camberlink Mount Front
XP-10105**

** Assemble left and right
in the same way*



Round Head Screw M3 x 8mm

Round Head Screw M3 x 8mm

**XQ10 Separate Upper
Bulkhead Type B**

**XQ10 Separate Upper
Bulkhead Type A**

Round Head Screw M3 x 8mm

**XQ10 Separate Upper
Bulkhead Type A**

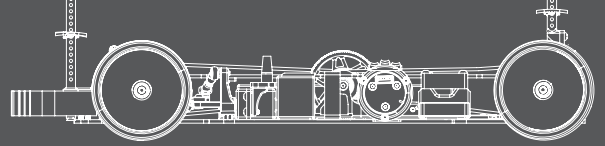
**XQ10 Separate Upper
Bulkhead Type B**

**Note: Flat surface of the
camberlink mount
faces
upwards**

** Assemble left and right in the same way*

Round Head Screw M3 x 8mm

**Note: Flat surface of the
camberlink mount
faces
upwards**



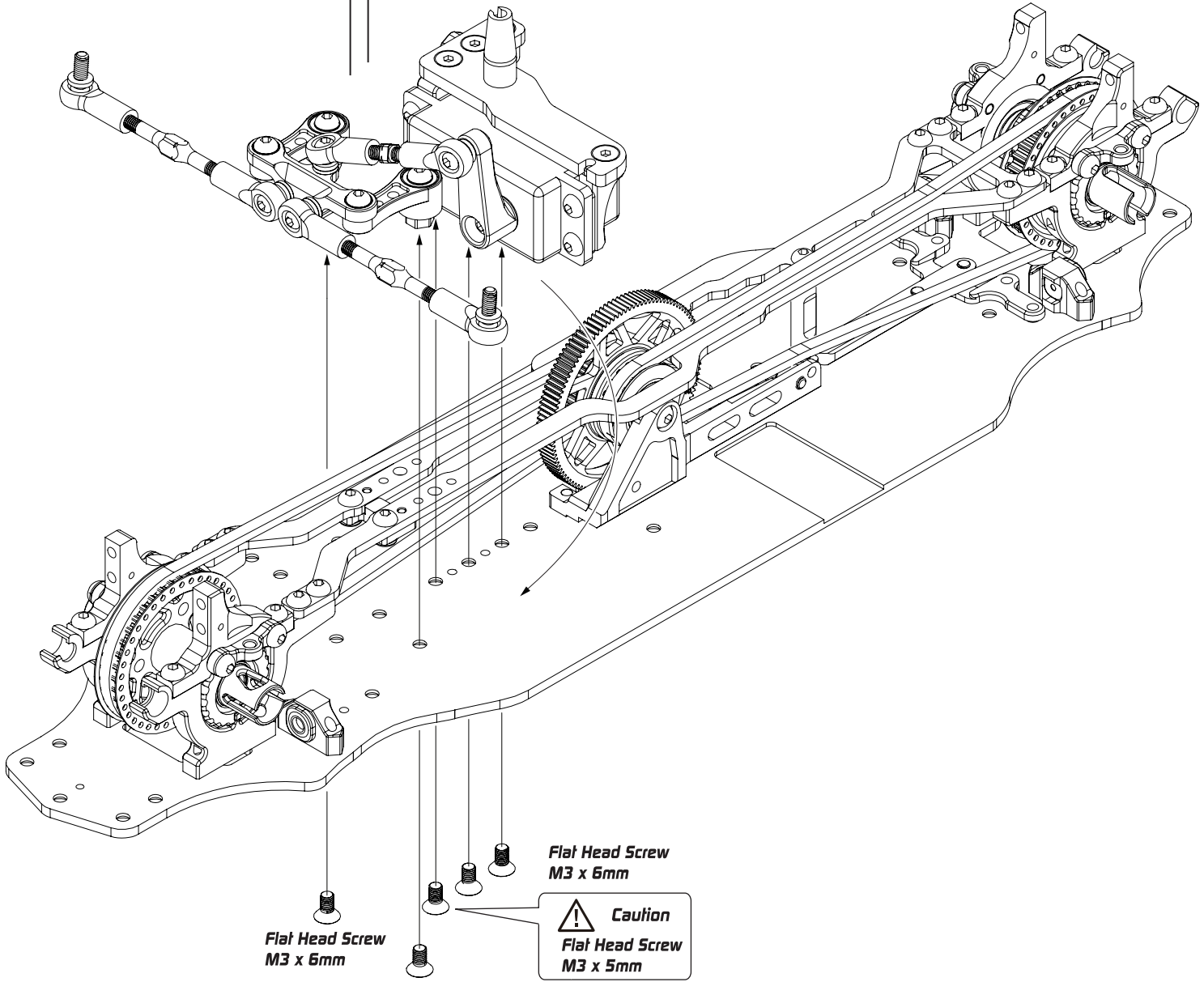
Screw Bag



Flat Head Screw M3 x 6mm
XP-40046



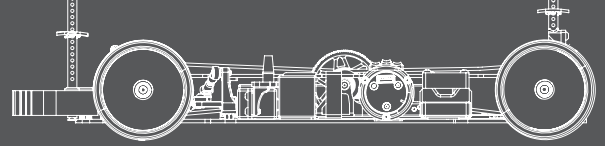
Flat Head Screw M3 x 5mm
XP-40045



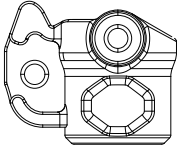
Flat Head Screw
M3 x 6mm

Flat Head Screw
M3 x 6mm

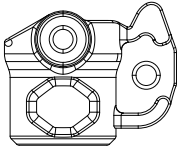
Caution
Flat Head Screw
M3 x 5mm



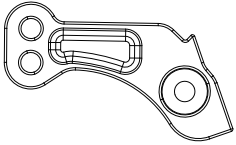
Bag I, Bag Bearing and Screw Bag



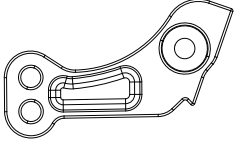
Composite Steering Block Right
XP-10109
Optional XP-10247



Composite Steering Block Left
XP-10109
Optional XP-10247



Composite Steering Block Plate Right
XP-10109
Optional XP-10247



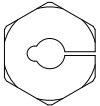
Composite Steering Block Plate Left
XP-10109
Optional XP-10247



Bearing 5 x 10 x 3mm
XP-40063



Bearing 5 x 10 x 4mm
XP-40064



Alu Wheel Hub Red
XP-10129



Pin 2 x 9.8mm
XP-40069



Round Head Screw M3 x 8mm
XP-40038



Cap Head Screw M1.6 x 4mm
XP-10129



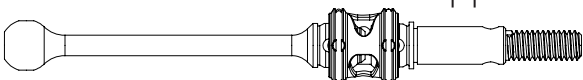
Hex Set Screw M3 x 2mm
XP-40051



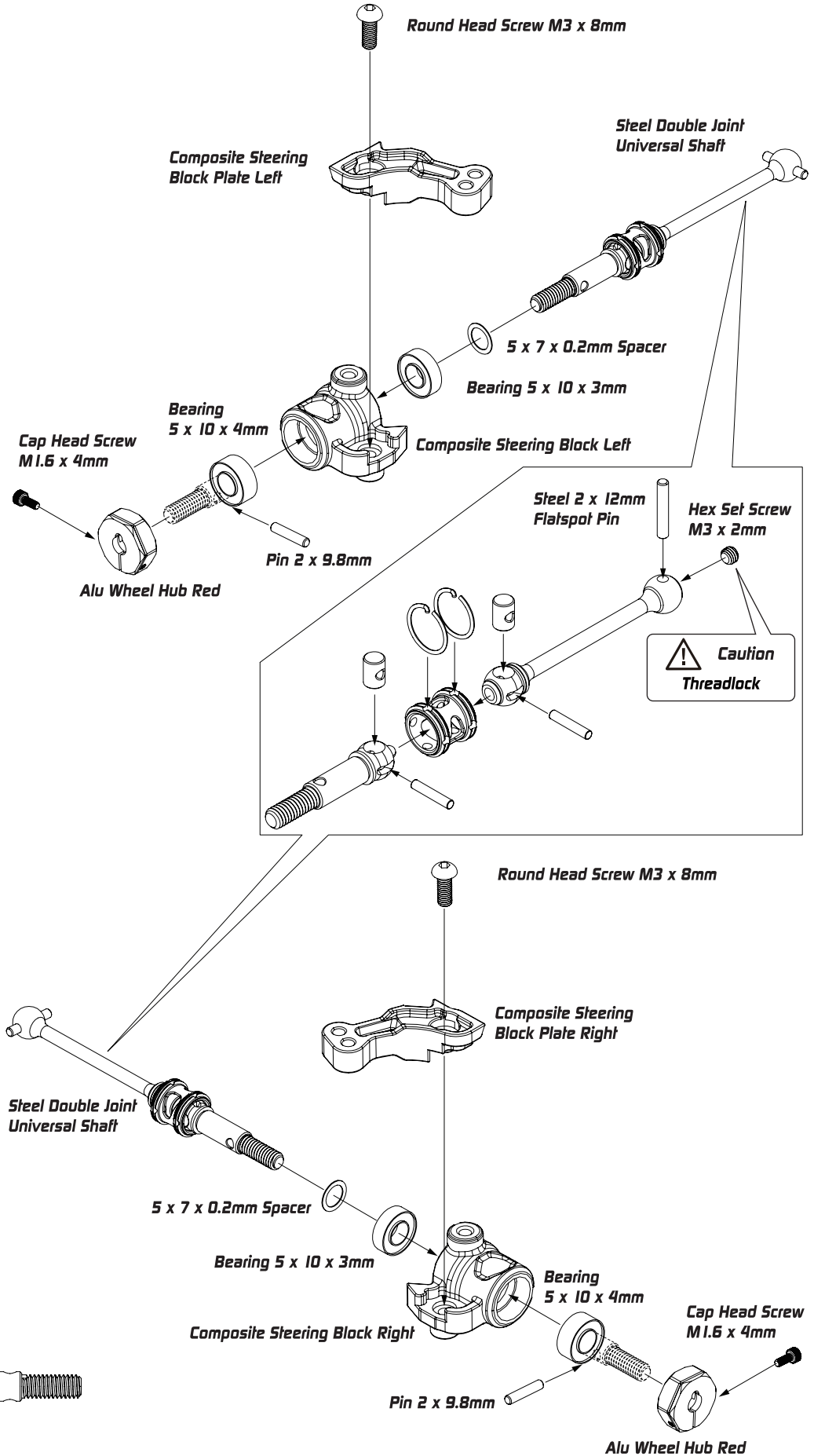
5 x 7 x 0.2mm Spacer
XP-40086

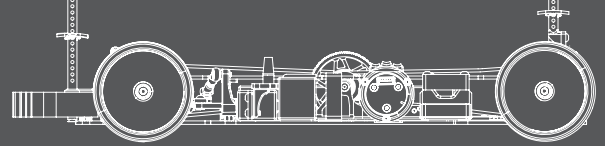


Steel 2 x 12mm Flatspot Pin for Universal
XP-40071

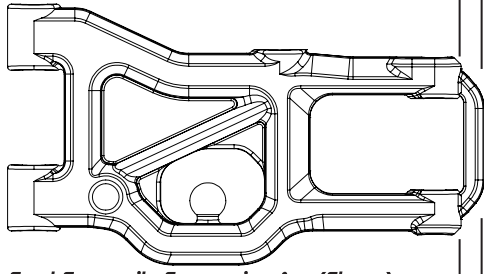


Steel Double Joint Universal Shaft
XP-10166

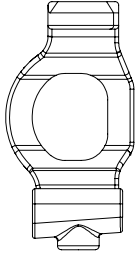




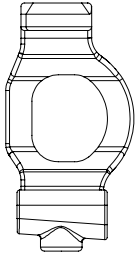
Bag 1, Spacer and Bag Screw



Front Composite Suspension Arm (Strong)
XP-10603 Optional XP-10597



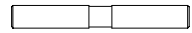
Composite C Hub 4 Degree L (Strong)
XP-10604 Optional XP-10598



Composite C Hub 4 Degree R (Strong)
XP-10604 Optional XP-10598



Suspension Pivot Pin 3 x 42mm
XP-10139



3mm Outer Suspension Pin w/ Groove
XP-10602



Alu Shim 3 x 5.5 x 1mm
XP-10119



Set Screw M3 x 3mm
XP-40052

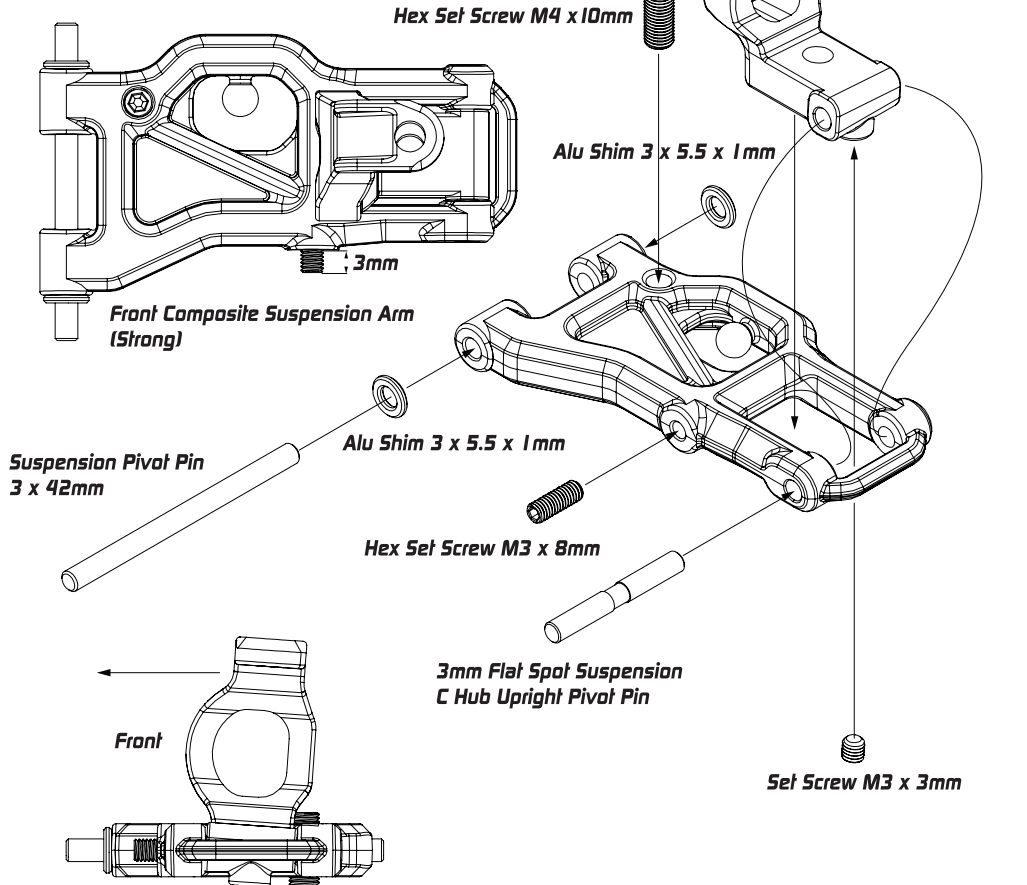
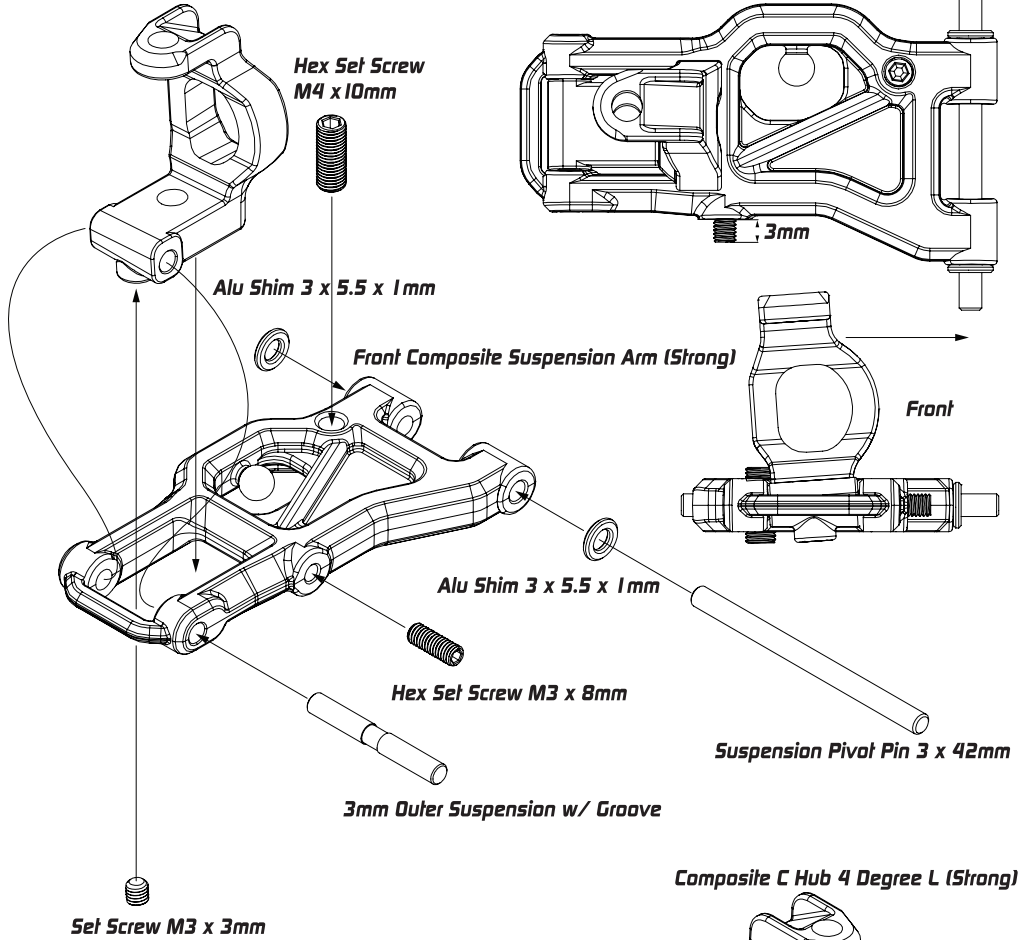


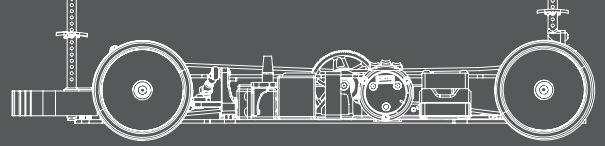
Hex Set Screw M4 x 10mm
XP-40056





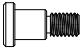
Hex Set Screw M3 x 8mm
XP-40054

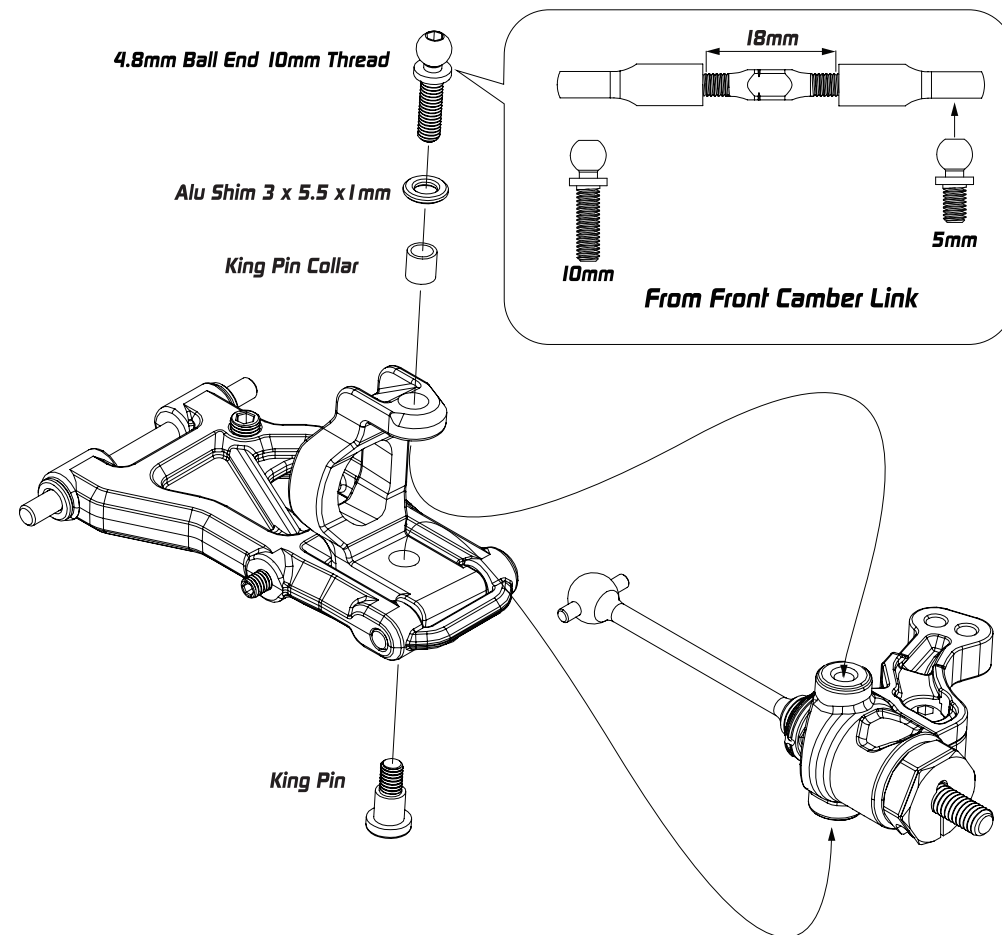
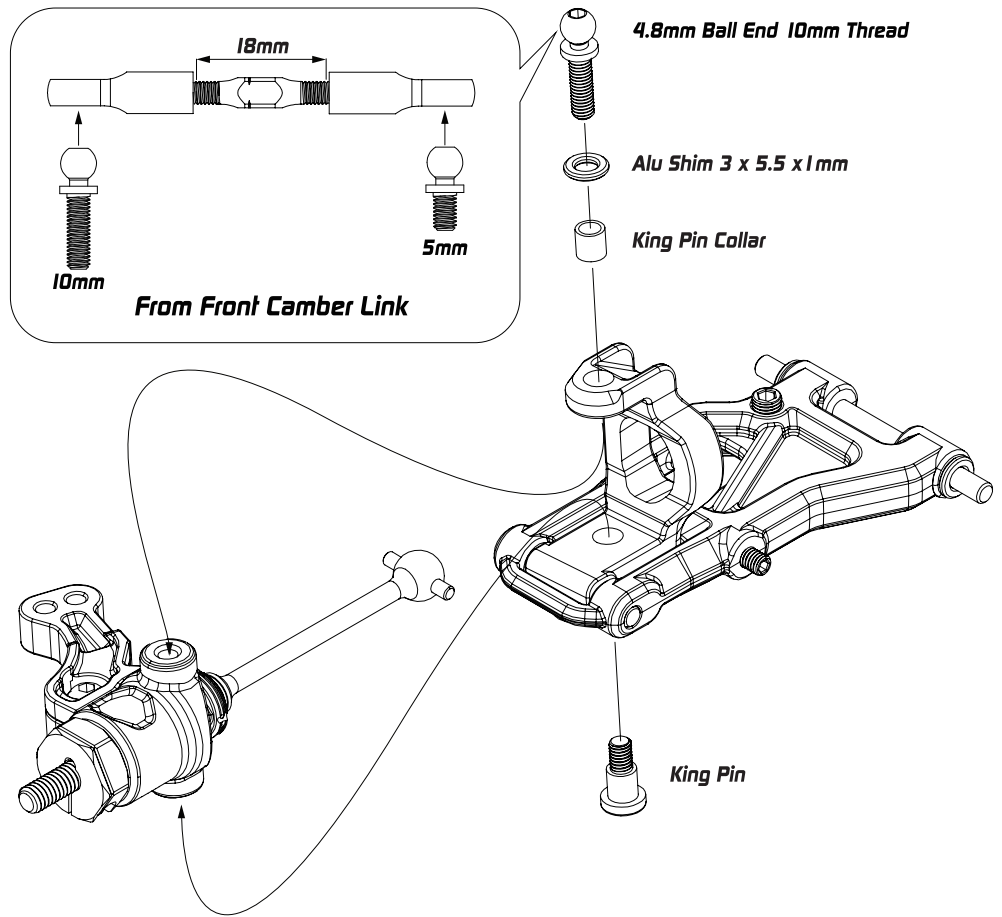
Composite C Hub 4 Degree R (Strong)

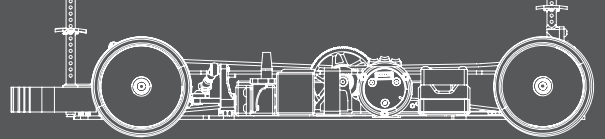




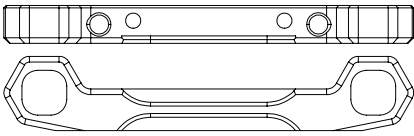
Bag 1 and Bag Spacer

-  **King Pin Collar**
XP-10164
-  **Alu Shim 3 x 5.5 x 1 mm**
XP-10119
-  **King Pin**
XP-10164





Bag G , Bag I ,Screw Bag and Bag Spacer



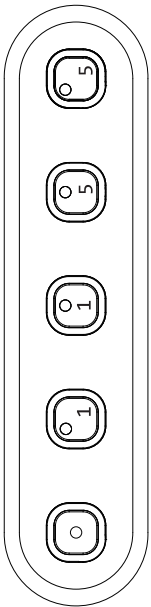
Alu Front Lower 1-Piece Suspension Holder – FF
XP-10114



Alu Shim 3 x 5.5 x 1 mm
XP-10119



Flat Head Screw M3 x 6mm
XP-40046



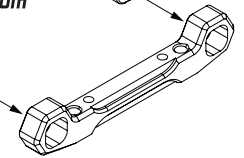
Eccentric Bushing Set
XP-10127



Diagonal Offset
Use either 0.5 or 1mm to shift the roll center in a diagonal direction from the center



Eccentric Bushing Set

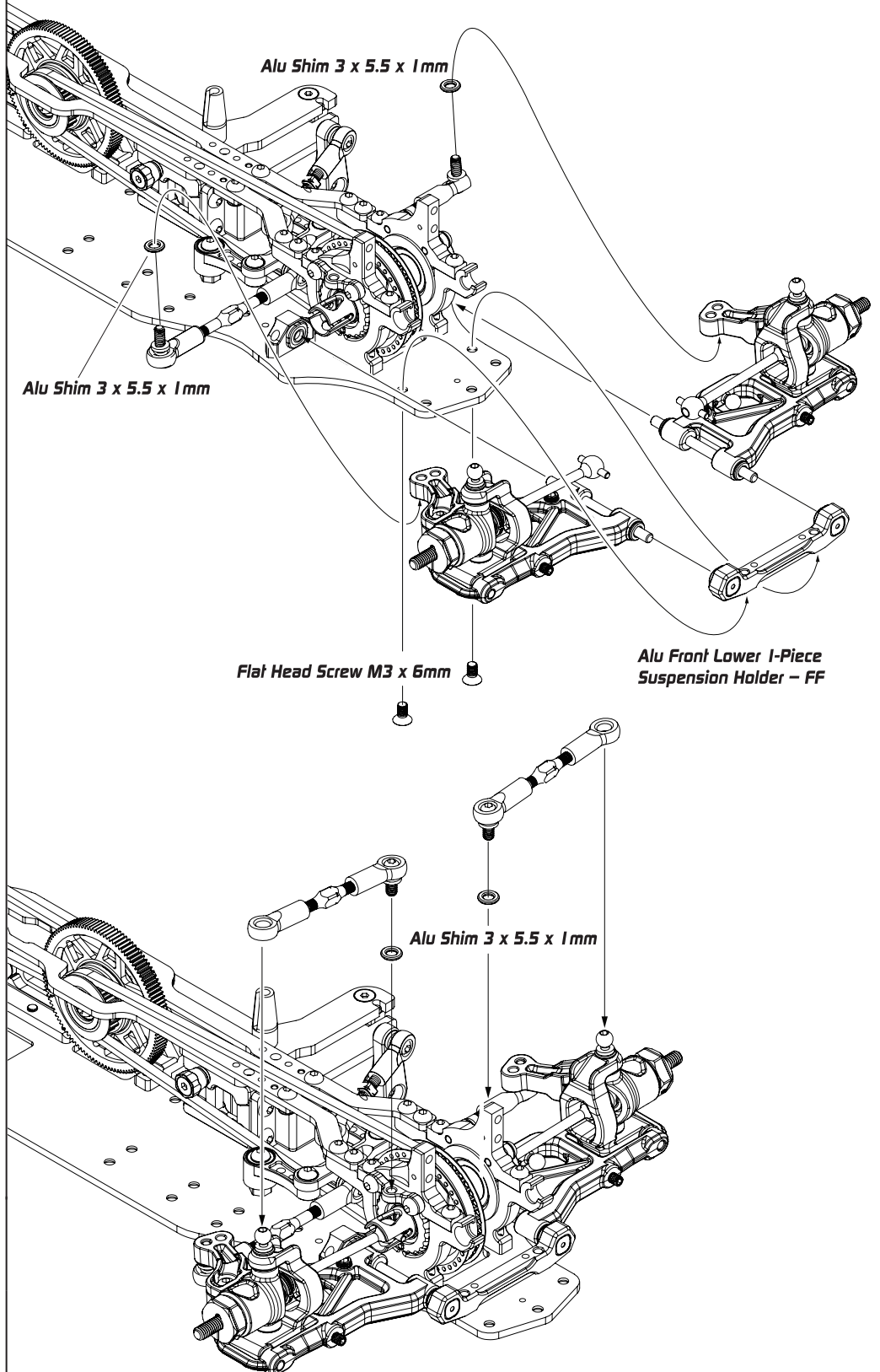


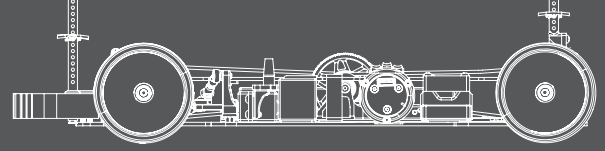
Alu Front Lower 1-Piece Suspension Holder – FF



Horizontal Offset
Choice of either 0.5 or 1mm offset from center

Default Setup

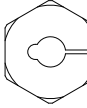




Bag J , Spacer , Bearing and Screw



Bearing 5 x 10 x 4mm
XP-40064



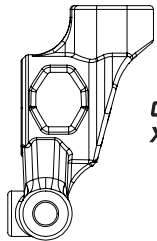
Alu Wheel Hub
XP-10129



Pin 2 x 9.8mm
XP-40069



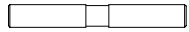
Alu Shim 3 x 5.5 x 1mm
XP-10119



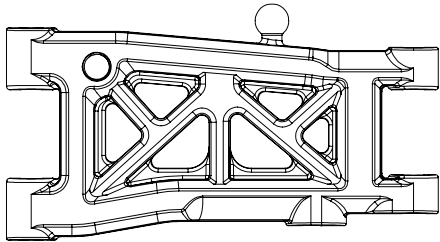
Composite Rear Upright (Strong)
XP-10605 Optional XP-10599



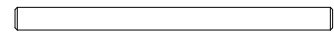
Set Screw M3 x 3mm
XP-40052



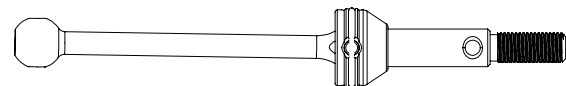
3mm Outer Suspension Pin w/ Groove
XP-10602



Composite Suspension Rear (Strong)
XP-10606 Optional XP-10597



Suspension Pivot Pin 3 x 42mm
XP-10139



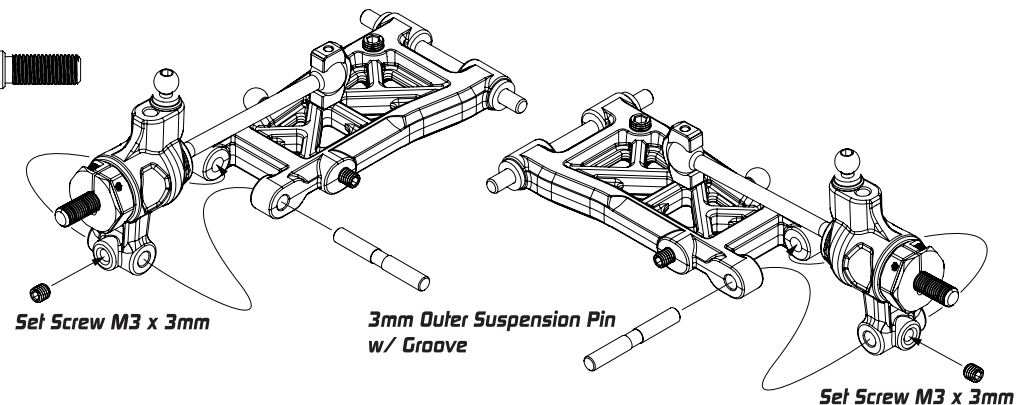
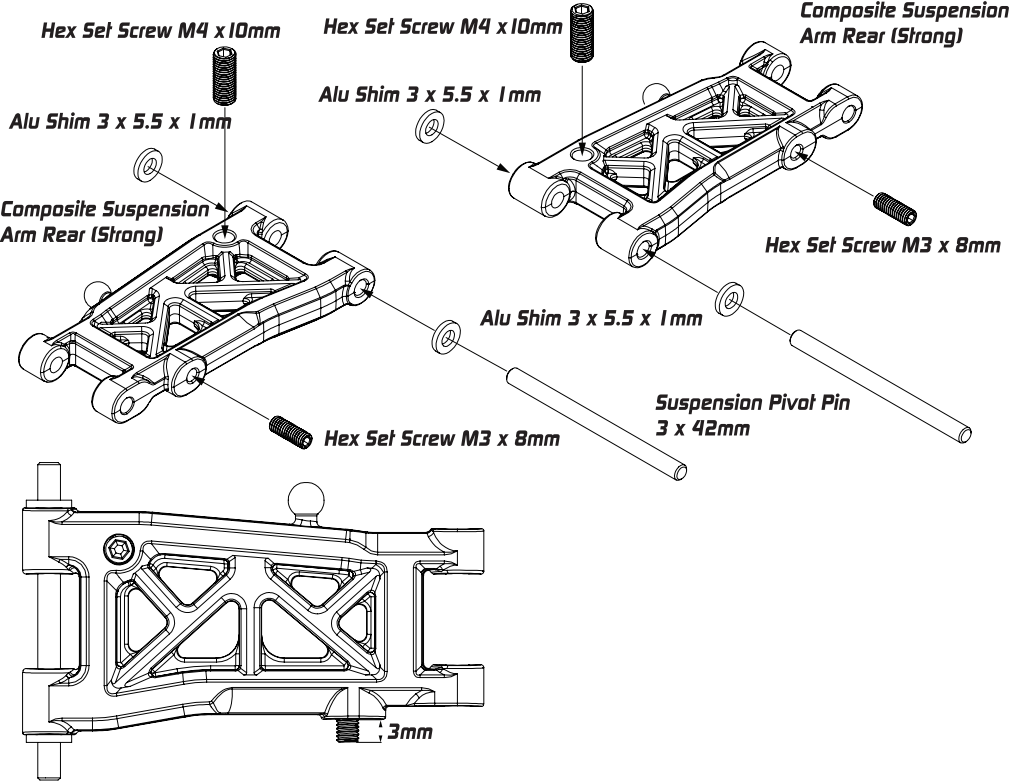
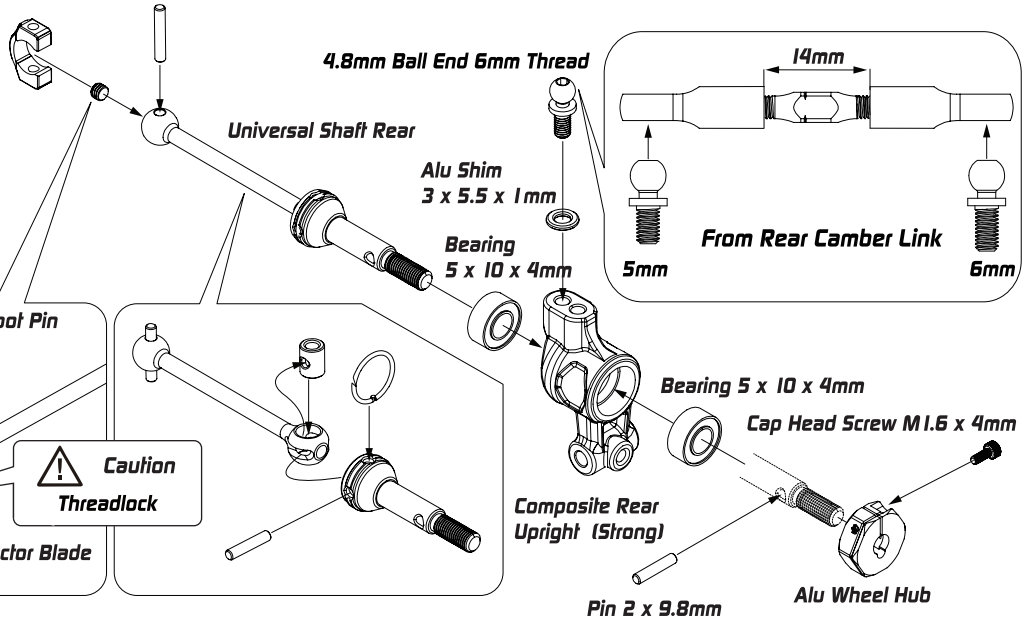
Universal Shaft Rear
XP-10167

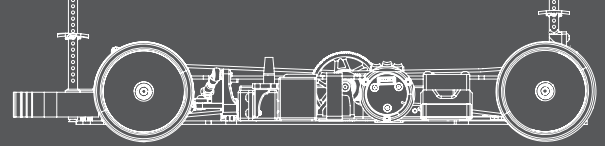


Hex Set Screw M3 x 2mm
XP-40051

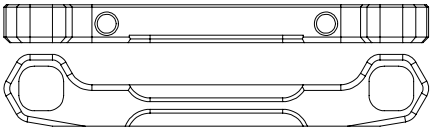


Steel 2 x 12mm Flatspot Pin for Universal
XP-40071





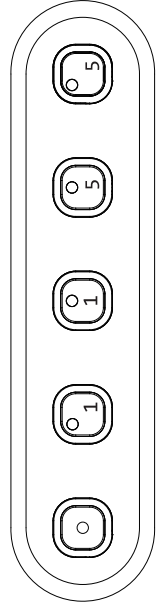
Bag G, Bag J, Spacer Bag and Screw



Alu Rear Lower 1-Piece Suspension holder - RR
XP-10124



Flat Head Screw M3 x 6mm
XP-40046



Eccentric Bushing Set
XP-10127



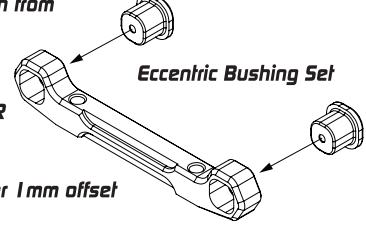
Alu Shim 3 x 5.5 x 1mm
XP-10119



Diagonal Offset
Use either 0.5 or 1 mm to shift the roll center in a diagonal direction from the center.



Alu Rear Lower 1-Piece Suspension holder - RR

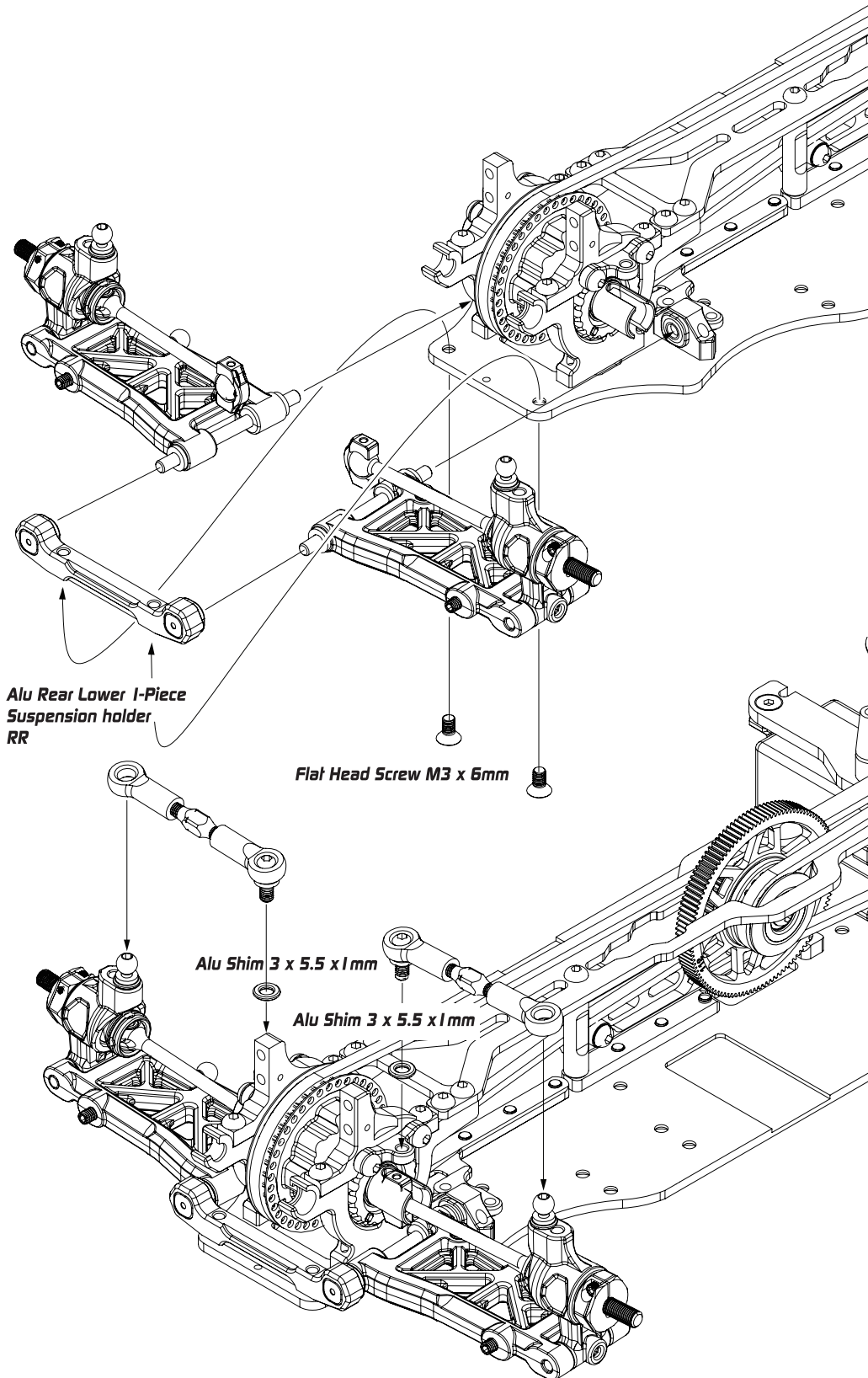


Eccentric Bushing Set



Horizontal Offset
Choice of either 0.5 or 1 mm offset from center

Default Setup

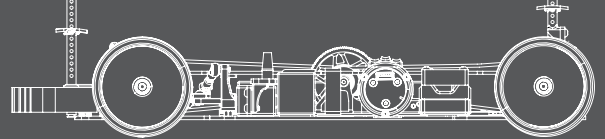


Alu Rear Lower 1-Piece Suspension holder - RR

Flat Head Screw M3 x 6mm

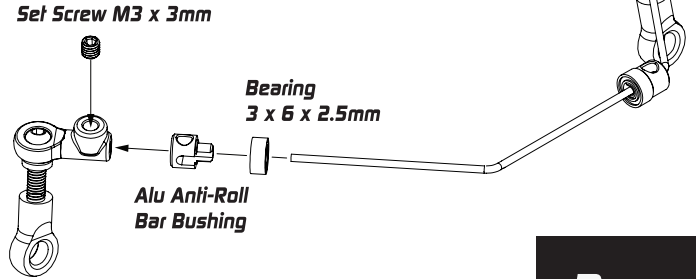
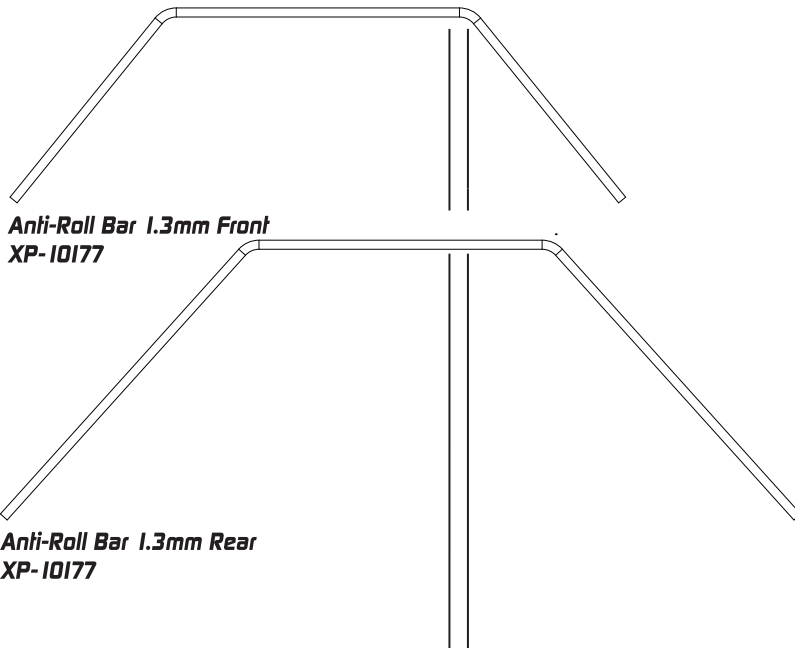
Alu Shim 3 x 5.5 x 1mm

Alu Shim 3 x 5.5 x 1mm

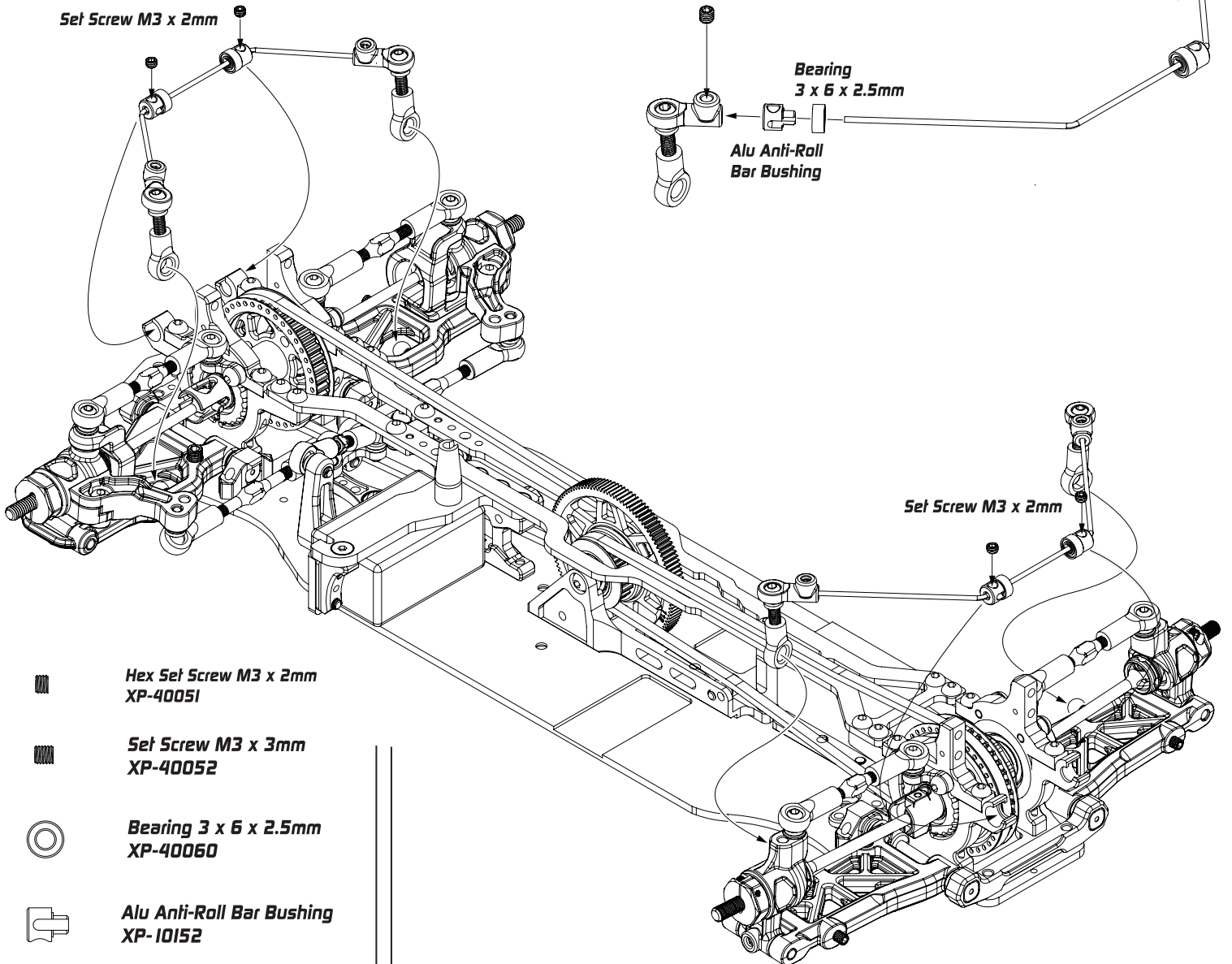
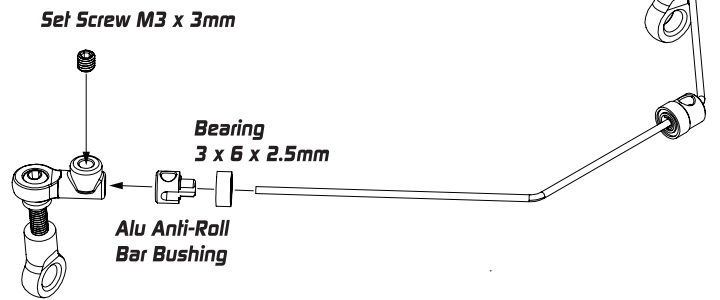






Bag K , Bearing and Screw Bag

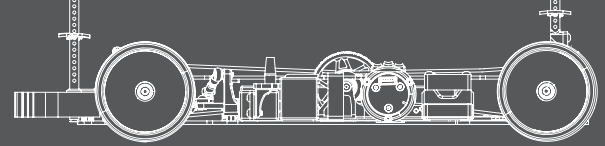
Front



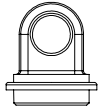
Rear



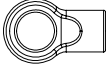
-  **Hex Set Screw M3 x 2mm**
XP-40051
-  **Set Screw M3 x 3mm**
XP-40052
-  **Bearing 3 x 6 x 2.5mm**
XP-40060
-  **Alu Anti-Roll Bar Bushing**
XP-10152



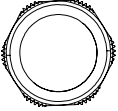
Bag L and Oil Bag



Short Shock Composite Shock Top Connector XP-10577



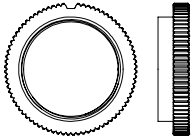
Short Shock Lower Connector XP-10577



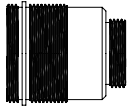
Alu Short Shock Cap XP-10578



Alu Lower Short Shock Cap XP-10579



Alu Short Shock Adjustable Nut XP-10580



Alu Short Shock Body XP-10581



Short Shock Shaft XP-10582



4 Hole Piston XP-10159



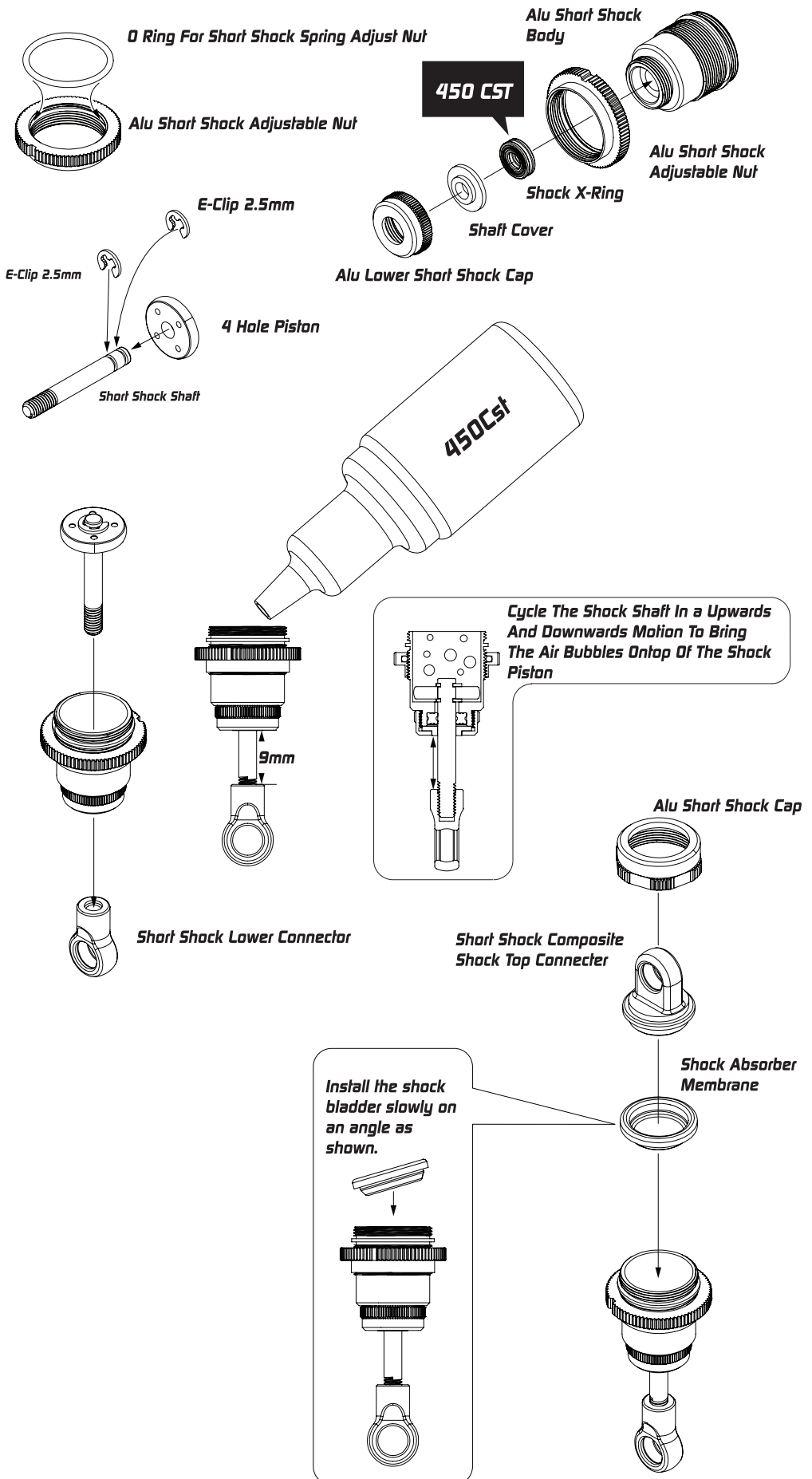
Shock Absorber Membrane XP-10147

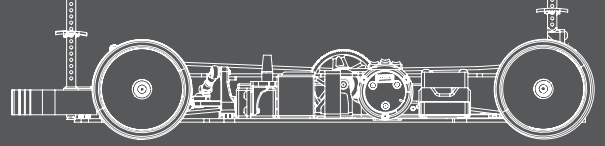


E-Clip 2.5mm XP-40057

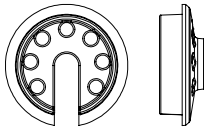


Shock X-Ring XP-10601

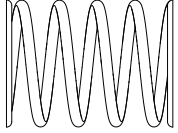




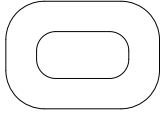
Bag L , Spacer and Screw Bag



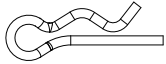
Short Spring Retainer
XP-10577



Shock Spring Medium Silver
XP-10169



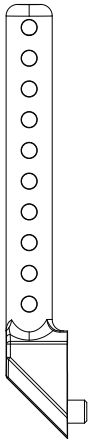
Body Height Adjuster Support
XP-10001



Body Clip
XP-10055



Bulton Head Screw M3 x 6mm
XP-40037



Rear Body Post
XP-10001



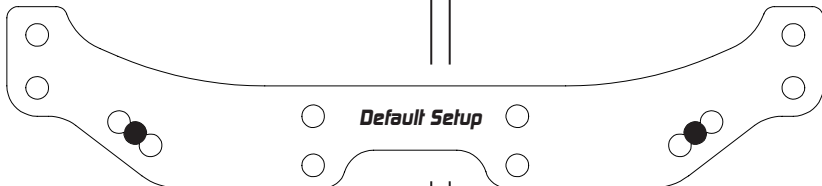
Alu Shim 3 x 5.5 x 1mm
XP-10119



Pivot Ball 5.8 mm
XP-10121



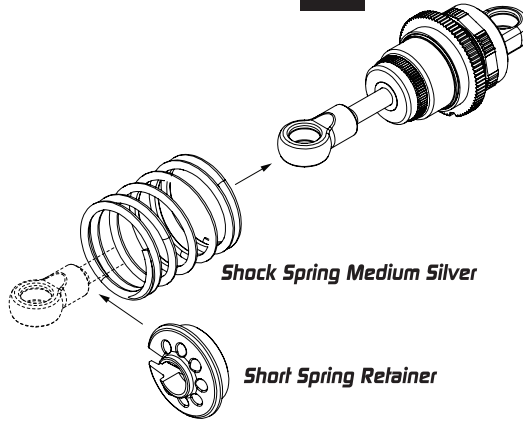
Round Head Screw M3 x 8mm
XP-40038



Default Setup

XQ10 Shock Tower Rear 3.0mm Graphite
(Short Shock)
XP-10560

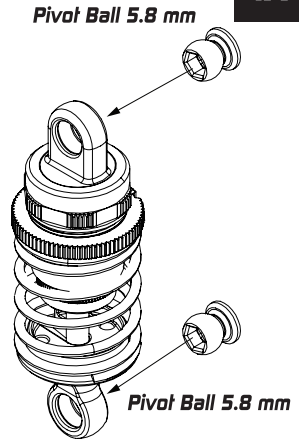
4X



Shock Spring Medium Silver

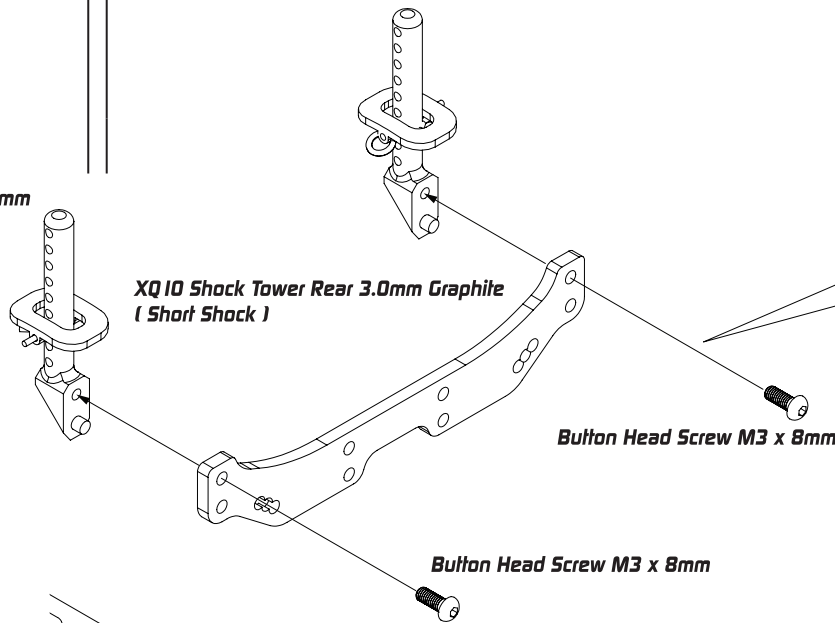
Short Spring Retainer

4X



Pivot Ball 5.8 mm

Pivot Ball 5.8 mm

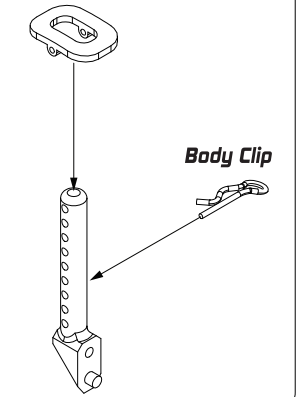


XQ10 Shock Tower Rear 3.0mm Graphite
(Short Shock)

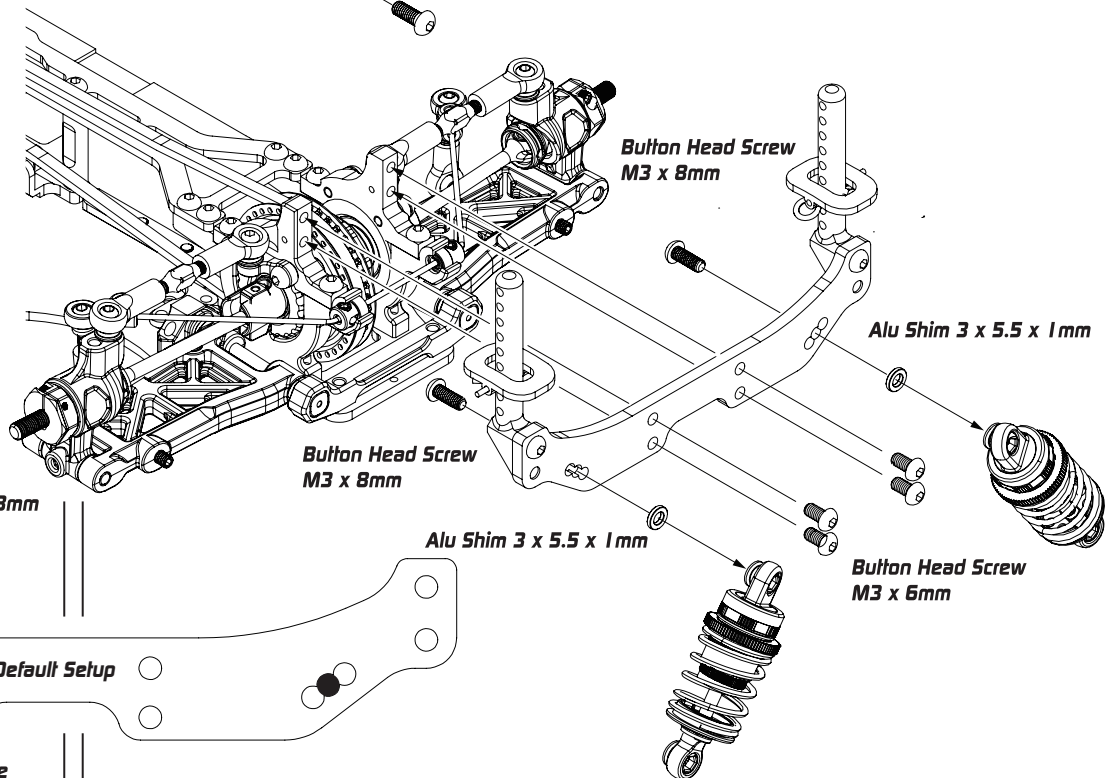
Bulton Head Screw M3 x 8mm

Bulton Head Screw M3 x 8mm

Body Height Adjuster Support



Body Clip



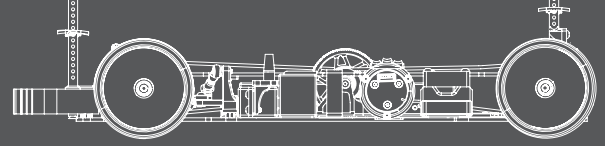
Bulton Head Screw
M3 x 8mm

Alu Shim 3 x 5.5 x 1mm

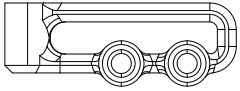
Bulton Head Screw
M3 x 8mm

Alu Shim 3 x 5.5 x 1mm

Bulton Head Screw
M3 x 6mm



Bag L , Carbon , Spacer and Screw Bag



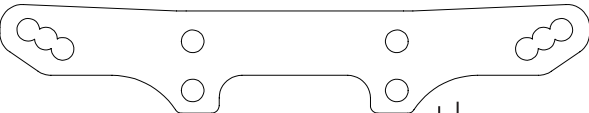
Composite Lipo Battery Backstop
XP-10180



Flat Head Screw M3 x 8mm
XP-40048



Flat Head Screw M3 x 6mm
XP-40046



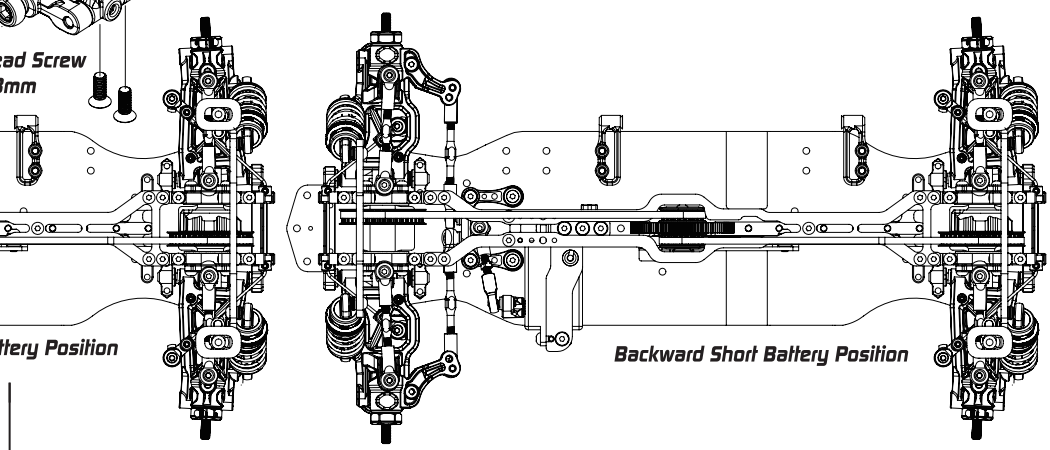
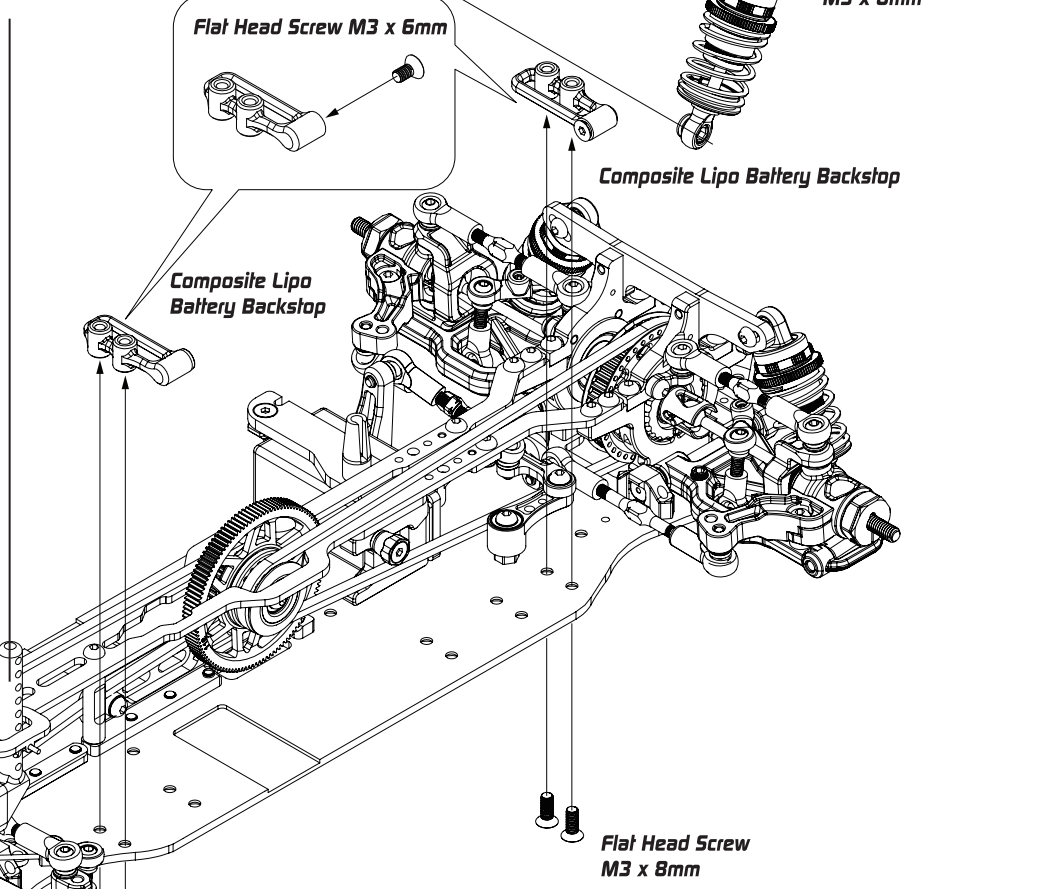
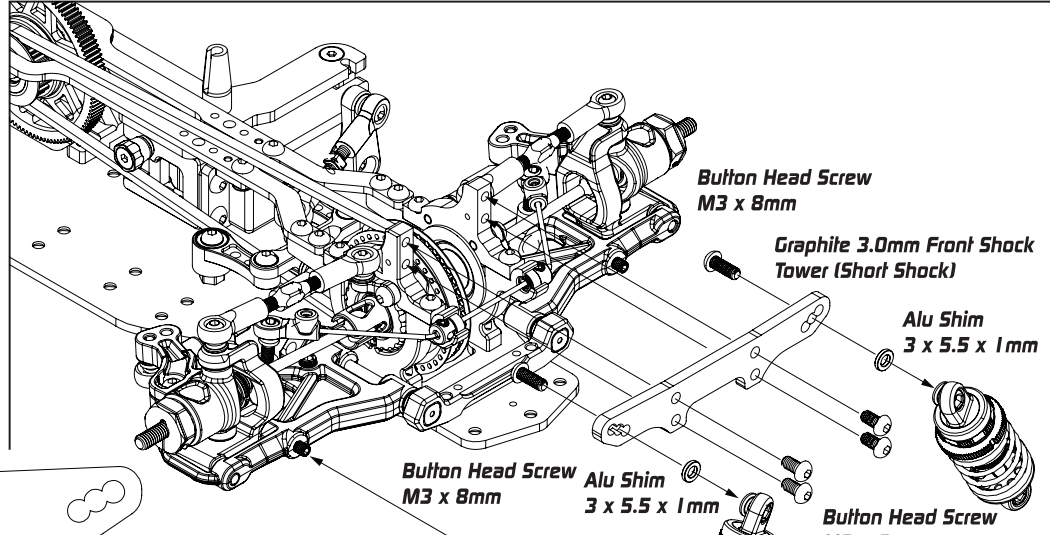
XQ10 Shock Tower Front 3.0mm Graphite
(Short Shock)
XP-10559

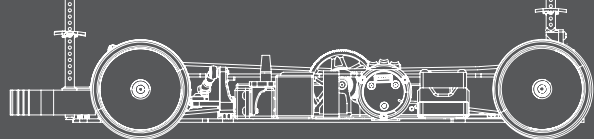


Alu Shim 3 x 5.5 x 1mm
XP-10119

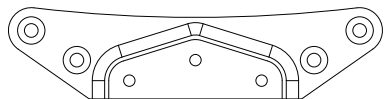


Button Head Screw M3 x 6mm
XP-40037

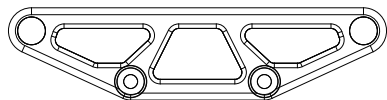




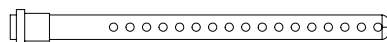
Screw Bag



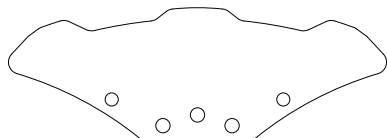
Lower Bumper
XP-10561



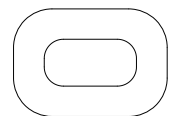
Bumper Plate For Light Bumper
XP-10561



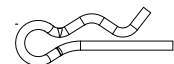
Front Body Post
XP-10561



Foam Bumper Light
XP-10562



Body Height Adjuster Support
XP-10561



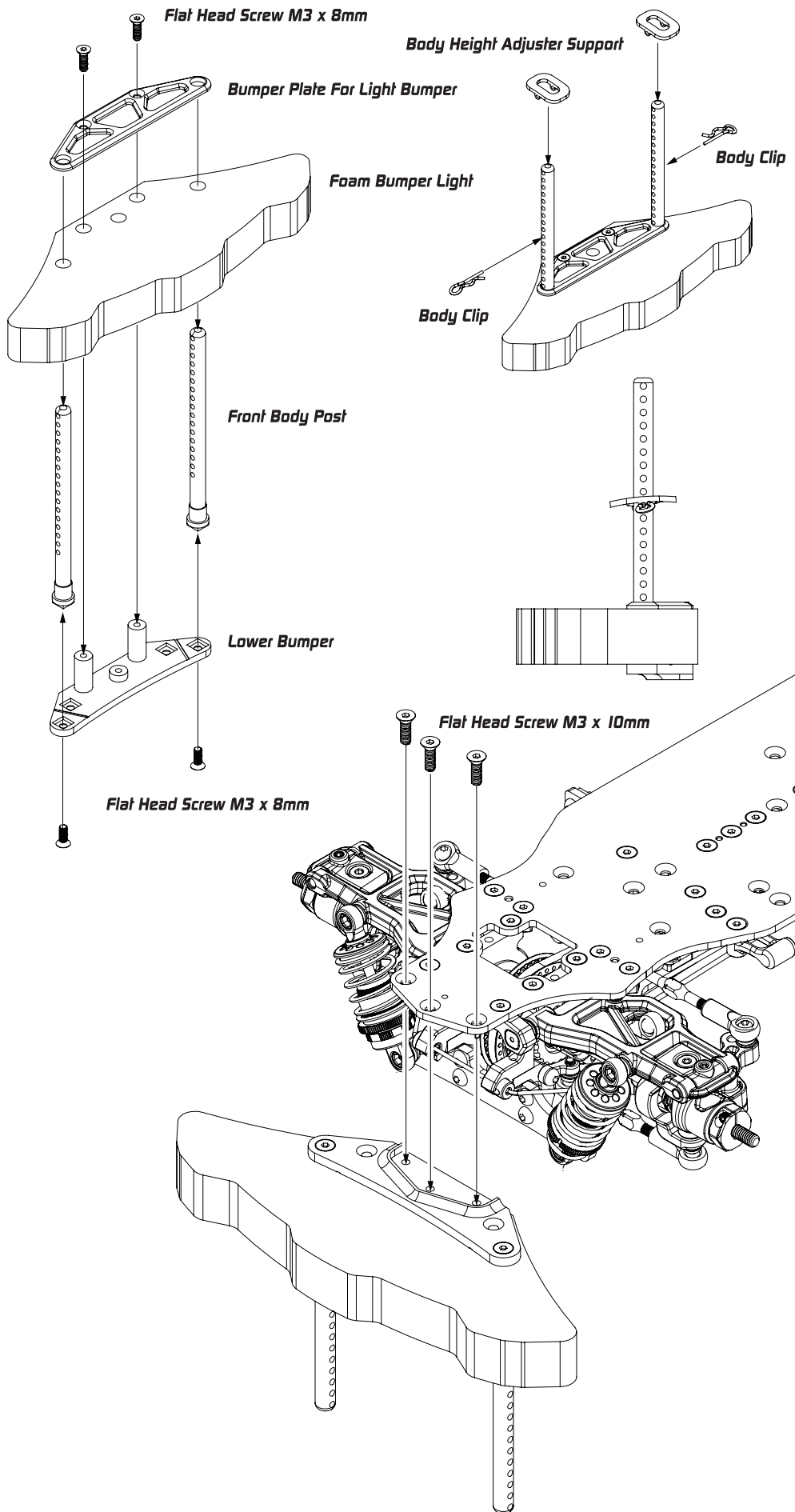
Body Clip
XP-10055

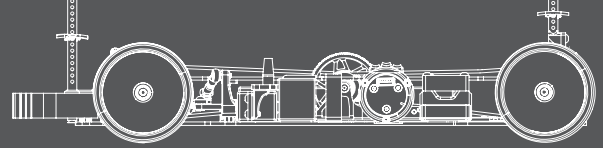


Flat Head Screw M3 x 10mm
XP-40049



Flat Head Screw M3 x 8mm
XP-40048

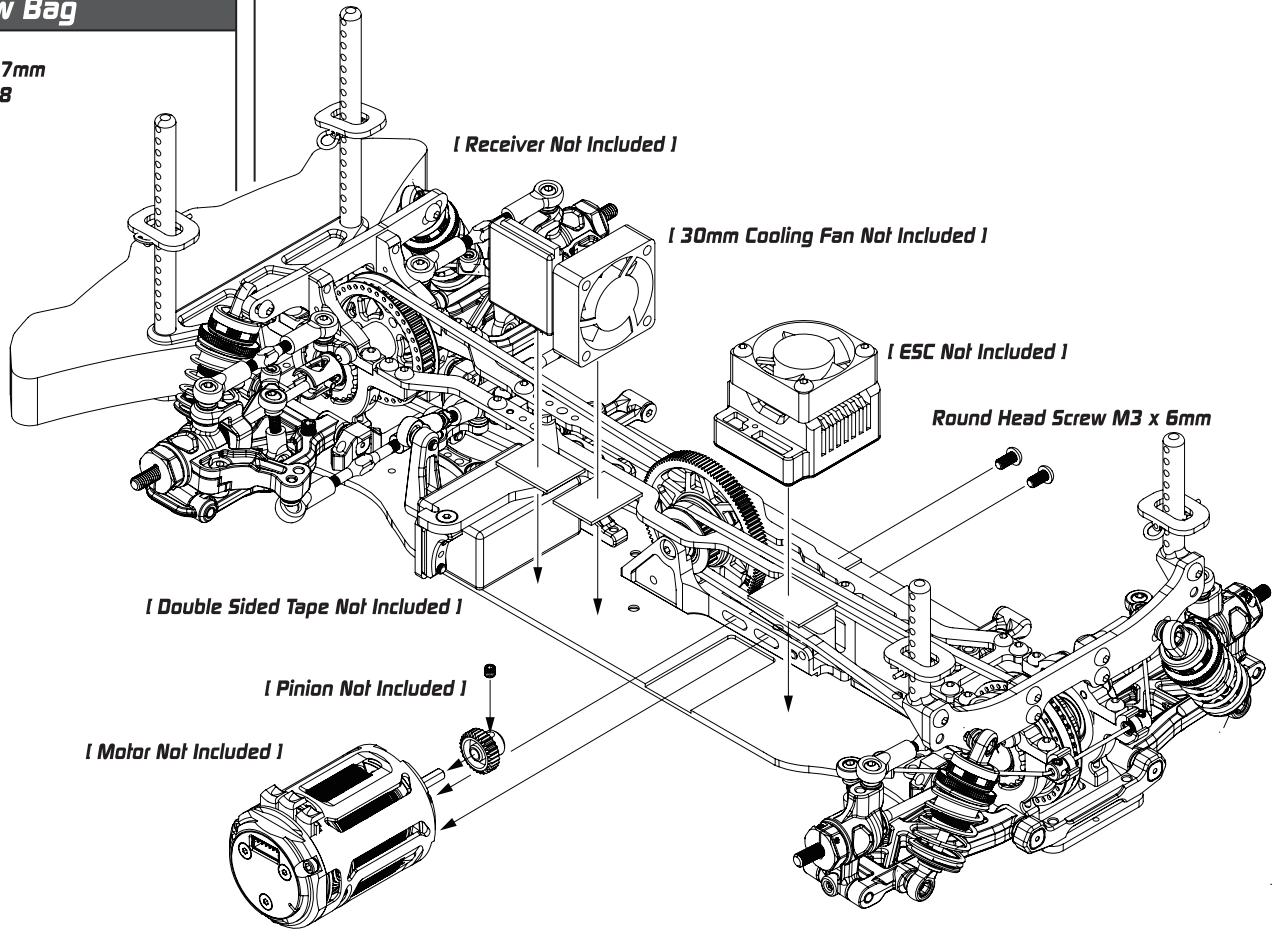




Screw Bag



Lock Nut 7mm
XP-40068



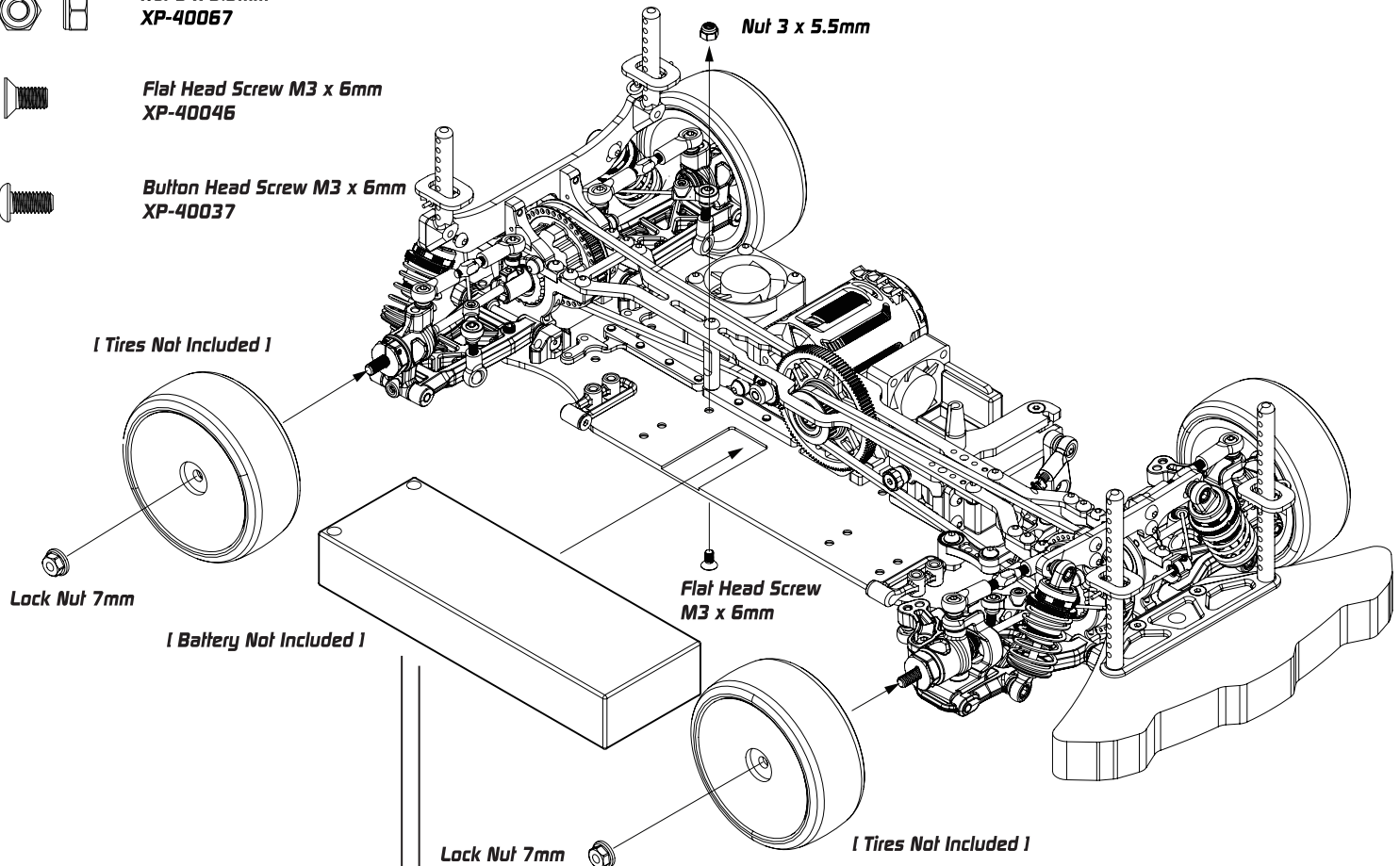
Nut 3 x 5.5mm
XP-40067

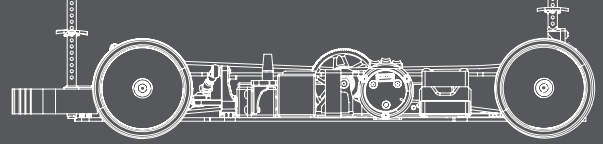


Flat Head Screw M3 x 6mm
XP-40046



Button Head Screw M3 x 6mm
XP-40037





XQ10 Original Parts		XQ10 Original Parts	
Model Number	Product Name	Model Number	Product Name
XP-10008	Gear Differential Case and Cover	XP-10577	Short Shock Composite Shock Parts
XP-10009	Gear Differential Bevel Satellite Gears Set	XP-10578	Aluminum Short Shock Cap 2pcs
XP-10011	Gear Differential Repair Parts	XP-10579	Aluminum Lower Short Shock Cap 2pcs
XP-10022	Gear Differential Set	XP-10580	Aluminum Short Shock Adjustable Nut 2pcs
XP-10105	Front Camberlink Mount 2pcs	XP-10581	Aluminum Short Shock Body 2pcs
XP-10107	Composite Ball Bearing Tension Adjustment Hub 4pcs	XP-10582	Short Shock Shaft 2pcs
XP-10109	Composite Steering Block Pair	XP-10587	Short Shock Set 2PCS
XP-10114	Aluminum FF Lower 1 Piece Suspension Mount	XP-10588	Separate Bulkhead Type A
XP-10119	Aluminum Shim 3x5.5x1.0mm Red 20pcs	XP-10589	Separate Bulkhead Type B
XP-10120	Aluminum Shim 3x5.5x2.0mm Red 20pcs	XP-10592	Graphite 2mm TopDeck
XP-10121	5.8mm Pivot Ball 8pcs	XP-10600	Silicone Gear Differential X-RING 5x2mm 10pcs
XP-10123	Aluminum 2 Piece Suspension Mount 2pcs	XP-10601	Shock X-Ring 10pcs
XP-10124	Aluminum RR Lower one Piece Suspension Mount	XP-10602	3mm Outer Suspension pin w/ Groove 4pcs
XP-10125	Aluminum Gear Diff Outdrive Adapter 2pcs	XP-10603	Front And Rear Composite Suspension Arm (Strong)
XP-10127	Eccentric Bushing Set	XP-10604	Composite C Hub 4 Degree L/R (Strong)
XP-10128	Driveshaft Protector Blade 8pcs	XP-10605	Composite Rear Upright 2 PCS (Strong)
XP-10129	Aluminum 5mm Wheel Hub Red 2pcs	XP-10606	Composite Suspension Parts Set (Strong)
XP-10131	Rear Camberlink Mount 2pcs	XP-10607	O Ring For Spring Adjust Nut 4pcs (Short Shock)
XP-10135	Motor Mount Post	XP-10608	Graphite 3.0mm Front Shock Tower (Short Shock)
XP-10139	3.0mm Suspension Pivot Pin 4pcs	XP-10609	Graphite 3.0mm Rear Shock Tower (Short Shock)
XP-10147	Shock Membrane 8pcs	XP-10610	XQ1 XQ1S Double Joint Universal Shaft Bone
XP-10148	4.8mm Ball End 5mm Thread 10pcs	XP-10611	XQ1 XQ1S Double Joint Universal Shaft Axle
XP-10149	4.8mm Ball End 6mm Thread 10pcs	XP-10612	XQ1 XQ1S Double Joint Universal Shaft Case
XP-10150	4.8mm Ball End 8mm Thread 10pcs	XP-10613	XQ1 XQ1S Double Joint Universal Shaft Coupling Pins
XP-10151	4.8mm Ball End 10mm Thread 10pcs	XP-10620	Center Pulley Post For XQ10 17.5MM
XP-10155	Ball Bearing Anti-Roll Bar Set 6pcs	XP-10622	Steel Spool Outdrive Adapter 3.5mm 2pcs
XP-10156	Steel Tumbuckle 29 mm 4pcs	XP-10629	Aluminum Center Pulley Set For XQ 10 (A)
XP-10157	Steel Steering Tumbuckle Set	XP-10630	Bando Kevlar Drive Belt Front 3 x351mm
XP-10159	Composite 1.1mm Piston Spacer Set	XP-10632	Aluminum Center Pulley Set For XQ 10 (B)
XP-10163	Composite Servo Horn Belt Tensioner Set	XP-10634	Grey Composite 4.8mm Flat Type Ball End 10mm 4pcs
XP-10164	C Hub King Pin Set 2+2	XP-10635	Grey Composite 4.8mm Flat Type Ball End 13mm 4pcs
XP-10166	Steel Double Joint Universal Shaft 2pcs	XP-10636	Grey Composite 4.8mm Flat Type Ball End 15mm 4pcs
XP-10167	Steel Universal Shaft Rear 2pcs	XP-10639	XQ10 2.0mm Graphite Mid Motor Upper Deck
XP-10168	Soft Spring Pair Black 2pcs	XP-10643	Composite Upper Deck Stiffener (2)
XP-10169	Medium Spring Pair Silver 2pcs	XP-10644	Composite Center Pulley Set For XQ 10 (A/B)
XP-10170	Stiff Spring Pair Pink 2pcs	XP-10647	Kevlar Low Friction Belt 3x351mm
XP-10176	Anti-Roll Bar 1.2mm Front and Rear 2pcs	XP-10650	Aluminum Dual Servo Saver 18.5mm 2pcs
XP-10177	Anti-Roll Bar 1.3mm Front and Rear 2pcs	XP-10651	XQ10 Aluminum Steering Plate For Dual Servo Saver
XP-10178	Anti-Roll Bar 1.4mm Front and Rear 2pcs	XP-10652	Composite Anti-Roll Bar Ball Joint
XP-10179	Gear Differential Gasket 5pcs		
XP-10180	Composite Battery Stopper Set and Layshaft Bearing Holder Set		XQ10 Option Parts
XP-10181	Gear Differential Spacer 5x15x0.4mm 10pcs	Model Number	Product Name
XP-10182	Gear Differential Spacer 3.6x9.5x0.2mm 10pcs	XP-10186	Brass Chassis Balancing Weights 15g 10g 4pcs
XP-10183	Silicone Gear Differential O-RING 25x1mm 10pcs	XP-10187	Brass Chassis Centerline Balancing Weights 15g 25g 2pcs
XP-10236	4.8mm Ball End 5mm Thread 4pcs	XP-10191	Aluminum Rf One Piece Suspension Mount
XP-10237	4.8mm Ball End 6mm Thread 4pcs	XP-10192	Aluminum Adjustable Battery Stoppers
XP-10238	4.8mm Ball End 8mm Thread 4pcs	XP-10196	Brass RF One Piece Suspension Mount
XP-10239	4.8mm Ball End 10mm Thread 4pcs	XP-10198	Brass 2 Piece Suspension Mount
XP-10240	Aluminum Shim 3x5.5x1.0mm Red 10pcs	XP-10199	Brass FF 1 Piece Suspension Mount
XP-10241	Aluminum Shim 3x5.5x2.0mm Red 10pcs	XP-10200	Brass RR 1 Piece Suspension Mount
XP-10264	Composite Spool 3BT Set	XP-10220	Camberlink Stiffener set
XP-10265	Composite Spool Cups 2pcs	XP-10222	Graphite Option Steering Knuckle Plate 2pcs
XP-10336	Steel Tumbuckle 18mm 4pcs	XP-10242	Brass Chassis Balancing Weights 10g 5g 4pcs
XP-10343	Graphite 3.0mm Floating Servo Holder For XP-10495	XP-10243	Graphite 2.25mm Upper Bumper Holder
XP-10494	Aluminum Steering Post For Dual Servo Saver 11.5mm 2pcs	XP-10247	Left and Right Hard Composite Steering Block
XP-10549	Aluminium Rear Stiffener Deck	XP-10255	Camber Stiffener Link Ball End
XP-10551	XQ10 2.25mm Graphite Mid Motor Main Chassis Plate	XP-10268	On-power Control System 3mm Graphite Knuckle Plate 2pcs
XP-10552	XQ10 2.0mm Graphite Mid Motor Upper Deck	XP-10269	On-power Control System Ball Stud Set
XP-10553	XQ10 Aluminum Mid Motor Mount	XP-10320	Graphite Option Steering Knuckle plate (Less ackermann)
XP-10554	XQ10 Graphite 3.0mm Chassis Stiffener	XP-10334	39.3mm Spring Steel Double Joint Universal Shaft 2pcs
XP-10555	XQ10 Aluminum Mid Motor Servo Mount	XP-10496	Kevlar Drive Belt 3 x 351mm
XP-10556	Steel Spool Outdrive Adapter 2pcs	XP-10565	Composite Suspension Parts Set (Hard Strong)
XP-10558	XQ10 Separate Upper Bulkhead Type B	XP-10566	Upper Deck Stiffener
XP-10559	XQ10 Shock Tower Front 3.0mm Graphite (Short Shock)	XP-10597	Front And Rear Composite Suspension Arm (Strong Hard)
XP-10560	XQ10 Shock Tower Rear 3.0mm Graphite (Short Shock)	XP-10598	Composite C Hub 4 Degree L/R (Strong Hard)
XP-10561	Bumper Body Post (Foam Bumer LIGHT)	XP-10599	Composite Rear Upright 2 PCS (Strong Hard)
XP-10562	Foam Bumer Light	XP-10641	On-power Control System
XP-10563	XQ10 Separate Upper Bulkhead Type A	XP-10653	Aluminum Mid Motor Main Chassis Plate XQ10

Driver _____ Track Surface _____ Track Temperature _____
 Date _____ Track Traction _____ Result _____ Air Temperature _____
 Track _____ Country _____ Best Lap _____ Humidity _____ Remark _____

Front

Spacer mm
Spacer mm
3 2 1
Spacer mm
Spacer mm
1 2 3
5.2 5.0 4.8 4.6 4.4 4.2 4
4 4.2 4.4 4.6 4.8 5.0 5

C-Hub	Hex Offset _____ mm	_____ mm
<input type="checkbox"/> M <input type="checkbox"/> H	Camber _____	_____
Steering Block	Ride Height _____ mm	_____ mm
<input type="checkbox"/> M <input type="checkbox"/> H	DownStop _____ mm	_____ mm
Suspension Arm	Sway Bar _____ mm	_____ mm
<input type="checkbox"/> M <input type="checkbox"/> H		

Optional On-Power Control System

Spacer mm
Spacer mm
Spacer mm
Spacer mm

Hex Offset _____ mm	Steering Block
Camber _____	<input type="checkbox"/> M <input type="checkbox"/> H
Ride Height _____ mm	Suspension Arm
DownStop _____ mm	<input type="checkbox"/> M <input type="checkbox"/> H
Sway Bar _____ mm	

Front
 Toe Out _____
 Front Tire Additive Arena
 Lower Arm Spacer mm
 Shock Tower Spacer mm
 Wheelbase Spacer
 FF _____ mm
 FR _____ mm

Rear
 Rear Toe In _____
 Rear Tire Additive Arena
 Lower Arm Spacer mm
 Shock Tower Spacer mm
 Link Spacer mm
 Wheelbase Spacer
 RF _____ mm
 RR _____ mm
 Weight _____ g

Suspension Mount Setup

FF	FR
<input type="checkbox"/> 1 <input type="checkbox"/> Aluminium	<input type="checkbox"/> 1 <input type="checkbox"/> Aluminium <input type="checkbox"/> Spill
<input type="checkbox"/> 0.5 <input type="checkbox"/> Brass	<input type="checkbox"/> 0.5 <input type="checkbox"/> Brass <input type="checkbox"/> Solid
RR	RF
<input type="checkbox"/> 1 <input type="checkbox"/> Aluminium	<input type="checkbox"/> 1 <input type="checkbox"/> Aluminium <input type="checkbox"/> Spill
<input type="checkbox"/> 0.5 <input type="checkbox"/> Brass	<input type="checkbox"/> 0.5 <input type="checkbox"/> Brass <input type="checkbox"/> Solid

Flex Control

Nut
 Center Post

Standard Battery
 Short Battery (Forward Position)
 Short Battery (Backward Position)

Damper Setup

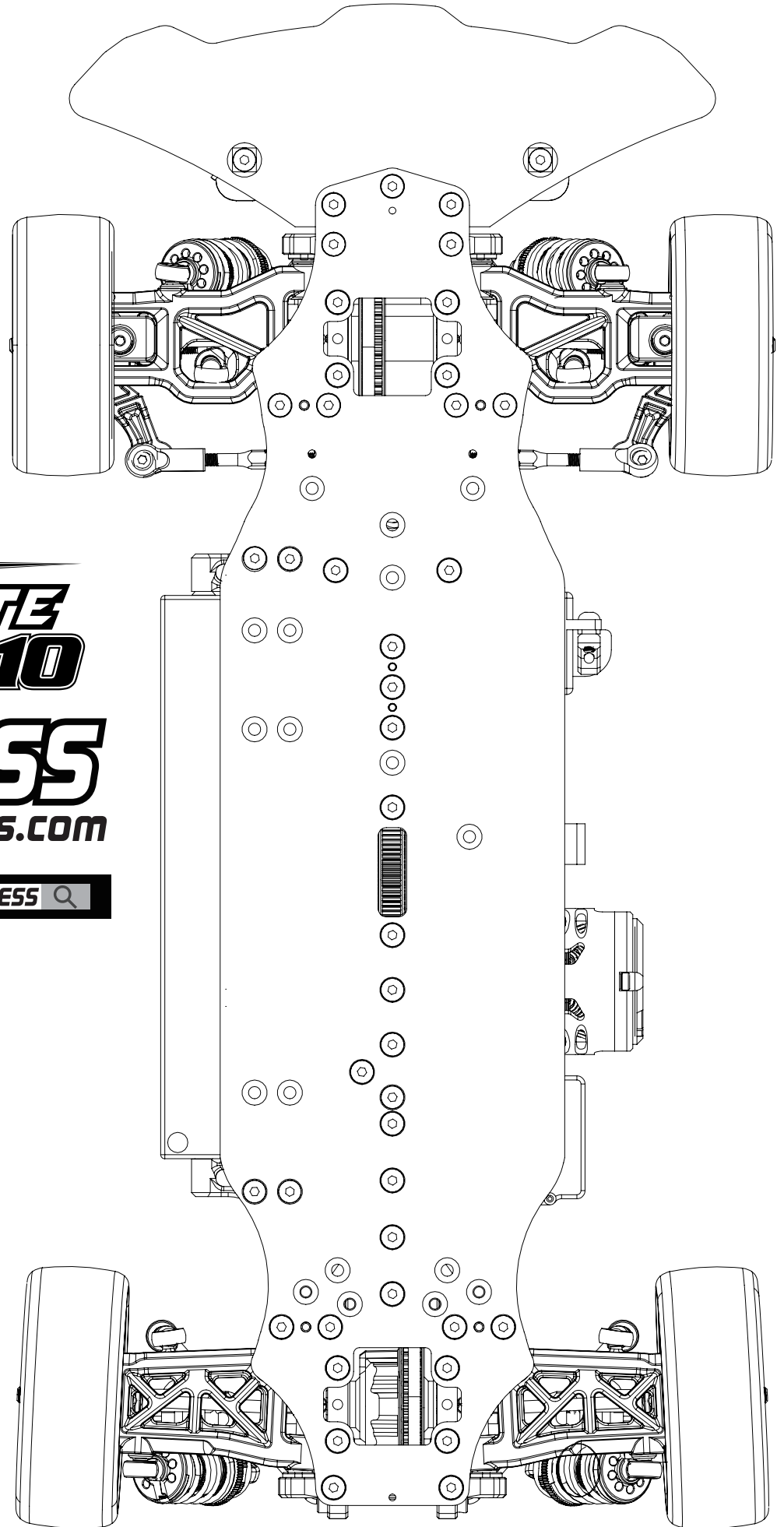
Front	Rear
Spring _____	Spring _____
Oil _____	Oil _____
Rebound _____	Rebound _____
Piston _____	Piston _____
Length _____	Length _____
Foam Insert <input type="checkbox"/>	Foam Insert <input type="checkbox"/>
Hole In Cap <input type="checkbox"/>	Hole In Cap <input type="checkbox"/>

Transmission Setup

Front	Rear
Gear Diff _____	Gear Diff _____
Oil _____	Oil _____
Weight _____ g	Weight _____ g
Position _____	Position _____

Others

Servo _____ Tires _____
 Esc _____ Additive _____
 Motor _____ Body _____
 Spur _____ P/ _____ T Rear Wing _____
 Pinon _____ P/ _____ T FDR _____



EXECUTE
1/10 COMPETITION TOURING CAR
XQ10

XPRESS
www.rc-xpress.com



RC XPRESS 🔍