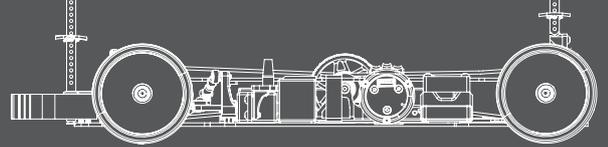


EXECUTE

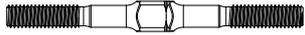
1110 COMPETITION TOURING CAR

XQ10R

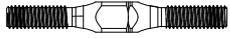
INSTRUCTION MANUAL



Bag A



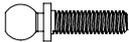
Turnbuckle M3 x 39mm
XP-10157



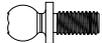
Turnbuckle M3 x 29mm
XP-10156



Turnbuckle M3 x 18mm
XP-10157



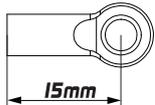
4.8mm Ball 10mm Thread
XP-10151



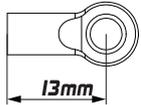
4.8mm Ball 6mm Thread
XP-10149



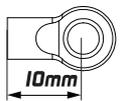
4.8mm Ball 5mm Thread
XP-10148



4.8mm Flat Type Ball End 15mm
XP-10636



4.8mm Flat Type Ball End 13mm
XP-10635

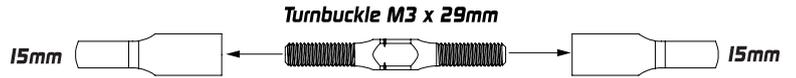


4.8mm Flat Type Ball End 10mm
XP-10634

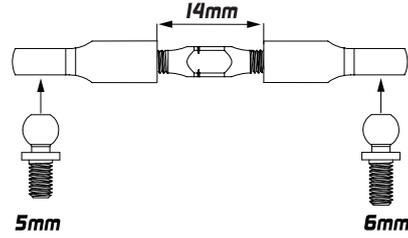


Composite Anti-Roll Bar Ball Joint
XP-10652

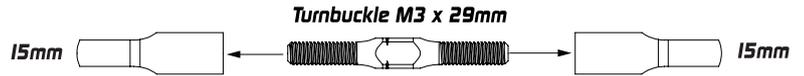
2X



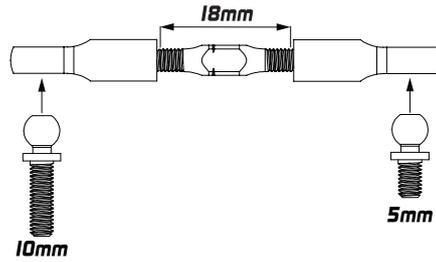
For Rear Camber Link



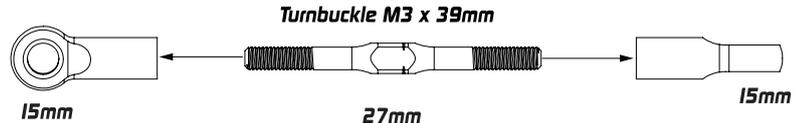
2X



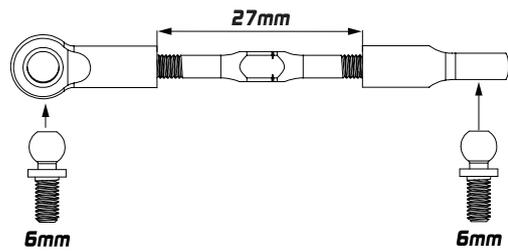
For Front Camber Link



2X



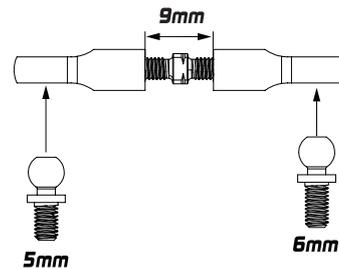
For Steering



1X

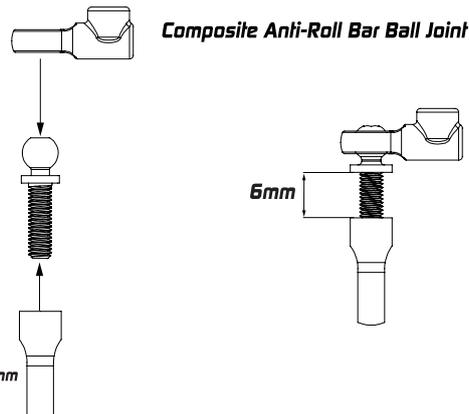


For Servo

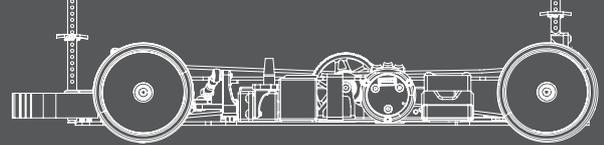


4X

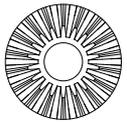
For Swaybar



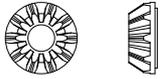
4.8mm Ball End
10mm Thread



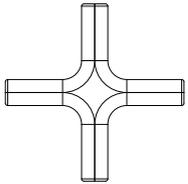
Bag B and Bearing Bag



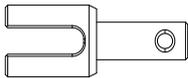
Bevel Gears 18T
XP-10009



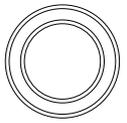
Bevel Gears 10T
XP-10009



Gear Diff Cross Pin
XP-10009



Alu Gear Diff Outdrive Adapter
XP-10125



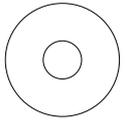
Bearing 10 x 15 x 4mm
XP-40065



Silicone Gear Differential X-RING 5x2mm
XP-10600



Pin 2 x 9.8mm
XP-40069



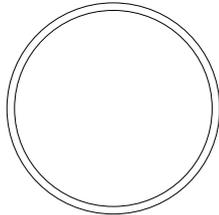
Spacer 5 x 15.5 x 0.4mm
XP-10181



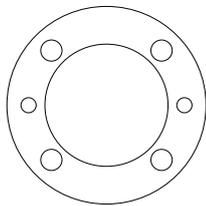
Spacer 3.6 x 9.5 x 0.2mm
XP-10182



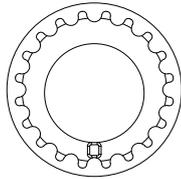
Flat Head Screw M2.5 x 8mm
XP-40044



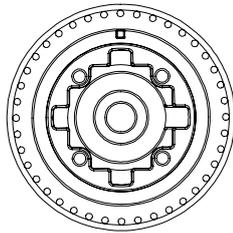
O-ring 25 x 1mm
XP-10183



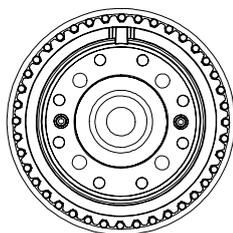
Diff Gasket
XP-10179



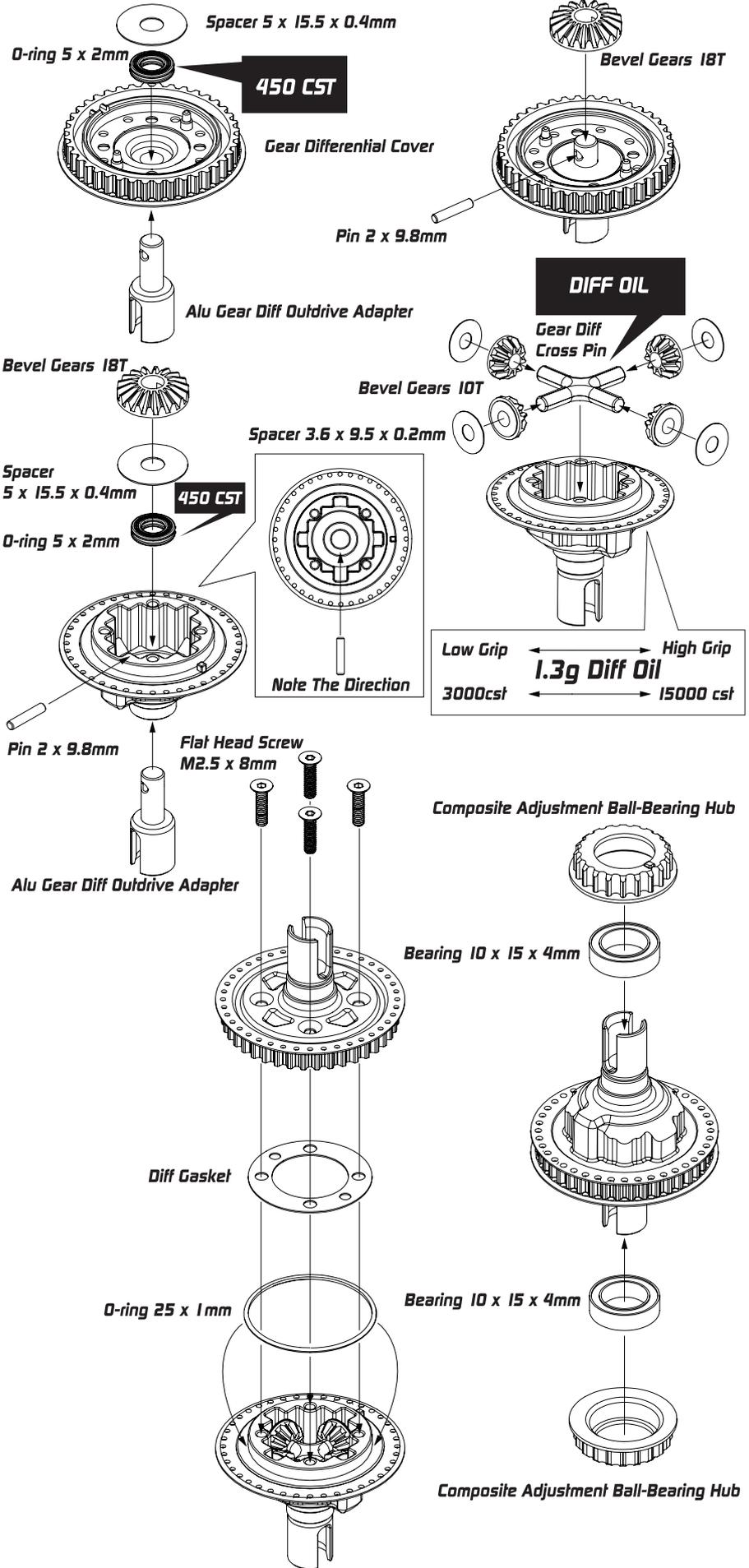
Composite Adjustment
Ball-Bearing Hub
XP-10107

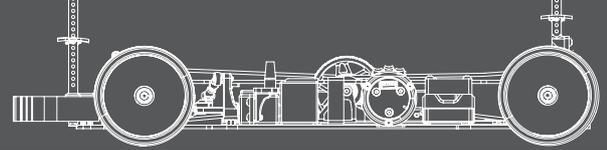


Gear Differential Case
XP-10008

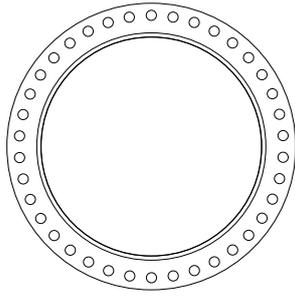
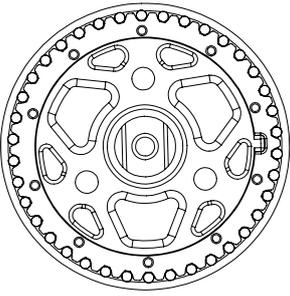


Gear Differential Cover
XP-10008

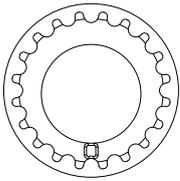




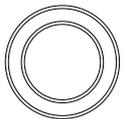
Bag C , Bag Bearing and Screw Bag



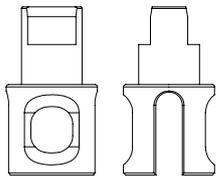
Composite 38T Spool Set
XP-10264



Composite Adjustment Ball-Bearing Hub
XP-10107



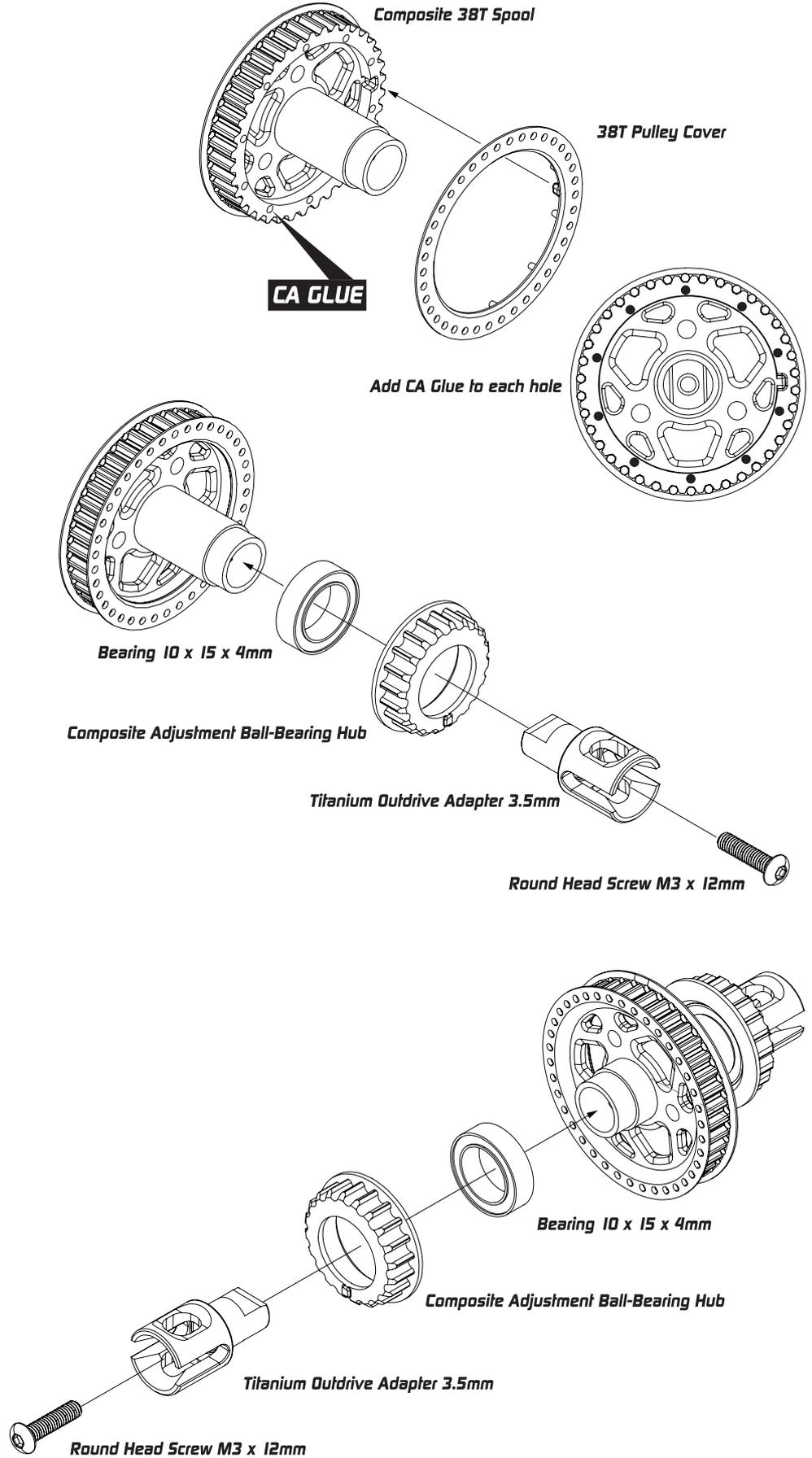
Bearing 10 x 15 x 4mm
XP-40065

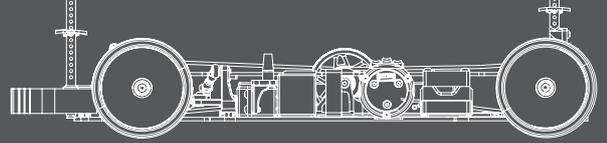


Titanium Outdrive Adapter 3.5mm
XP-10671

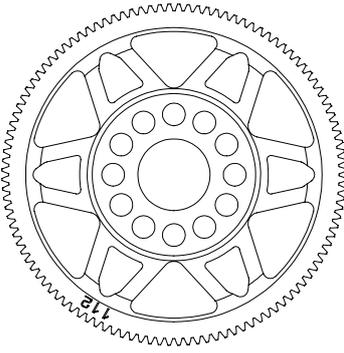


Round Head Screw M3 x 12mm
XP-40040

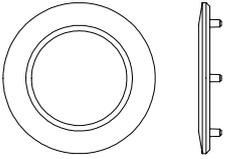




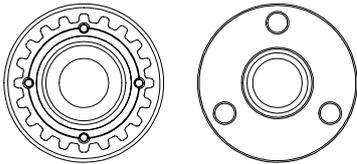
Bag D , Bag Bearing and Screw Bag



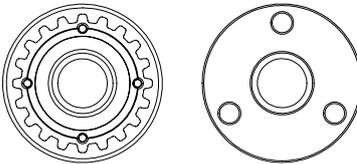
Spur Gear 64P 112T
XP-40084



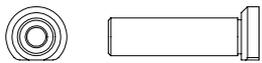
Center Pulley Cover
XP-10644



Center Pulley A
XP-10644



Center Pulley B
XP-10644



Center Pulley Post
XP-10620



Round Head Screw M3 x 6mm
XP-40037



Bearing 5 x 10 x 4mm
XP-40064



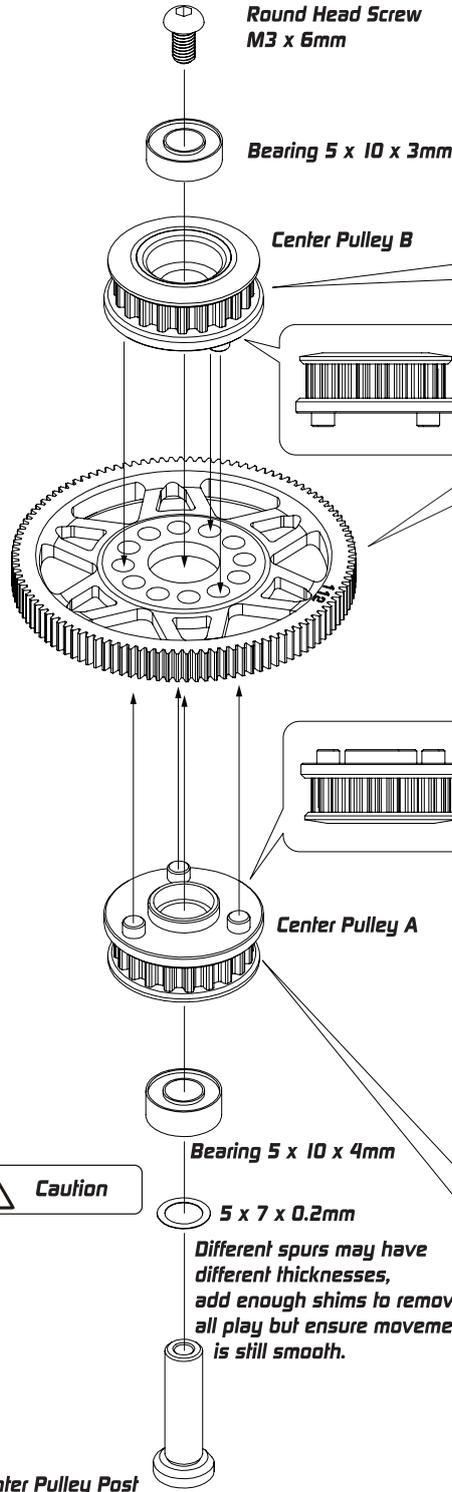
Bearing 5 x 10 x 3mm
XP-40063



5 x 7 x 0.1mm Spacer
XP-40117



5 x 7 x 0.2mm Spacer
XP-40086



Caution

Bearing 5 x 10 x 4mm

5 x 7 x 0.2mm

Different spurs may have different thicknesses, add enough shims to remove all play but ensure movement is still smooth.

Center Pulley Post

Add CA Glue to each hole

Center Pulley Cover

CA GLUE

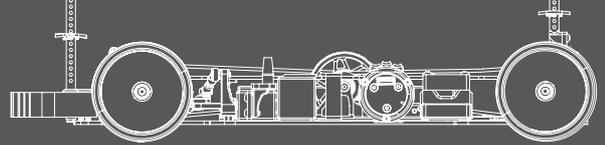
64P Spur Gear

- OP** High Composite Spur Gear 64P 94T XP-40122
- OP** High Composite Spur Gear 64P 96T XP-40082
- OP** High Composite Spur Gear 64P 98T XP-40081
- OP** High Composite Spur Gear 64P 100T XP-40121
- OP** High Composite Spur Gear 64P 110T XP-40083
- KIT** High Composite Spur Gear 64P 112T XP-40084
- OP** High Composite Spur Gear 64P 114T XP-40085

Add CA Glue to each hole

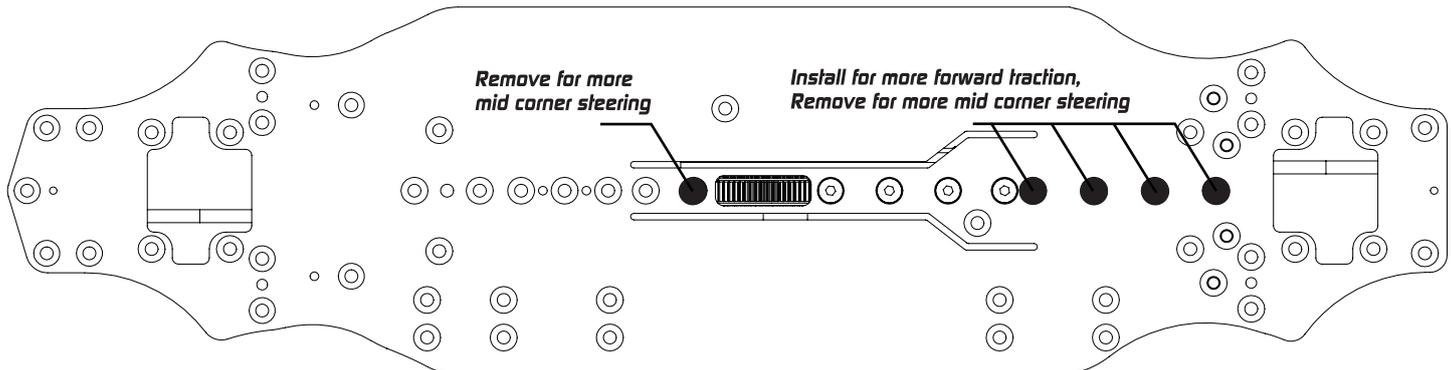
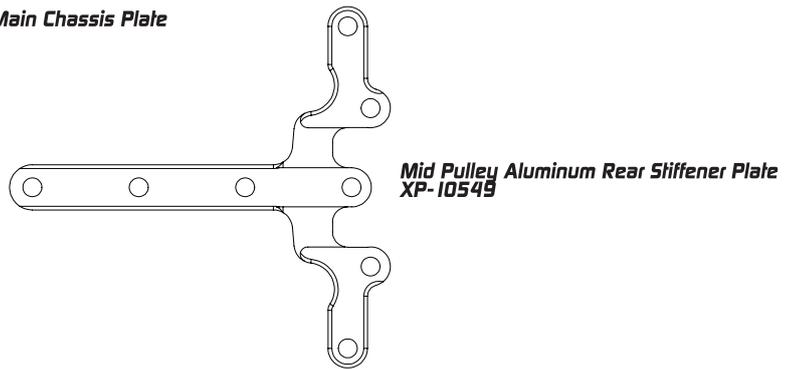
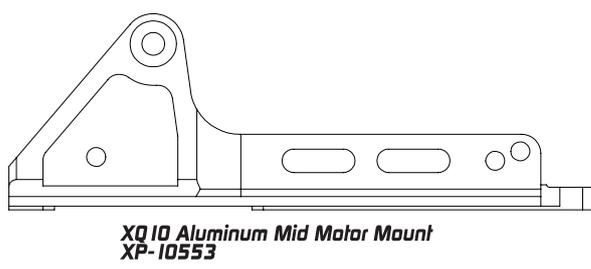
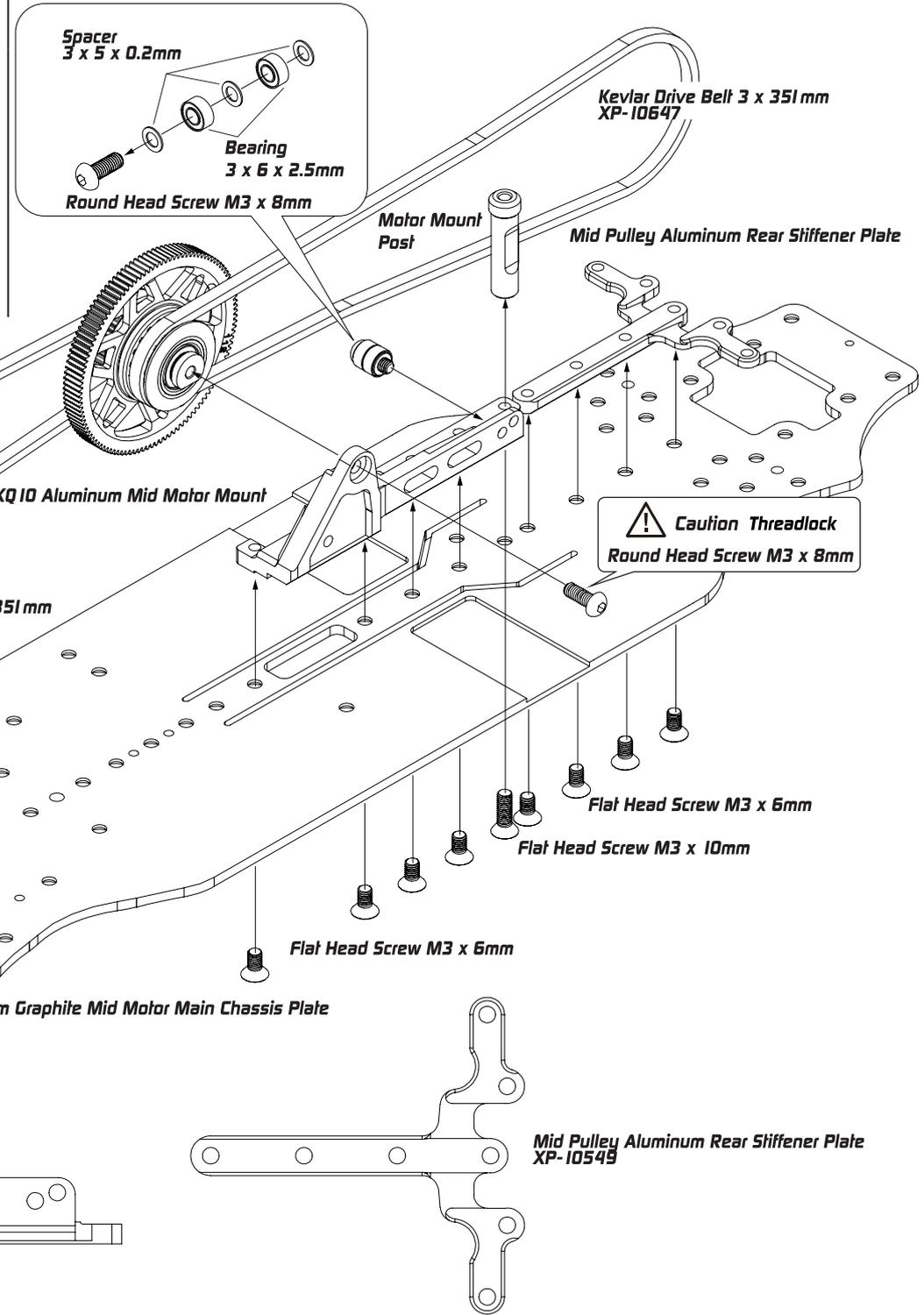
Center Pulley Cover

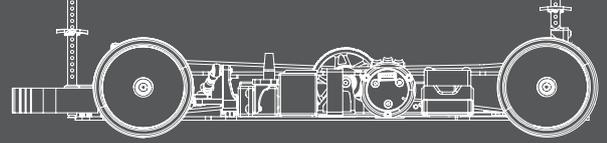
CA GLUE



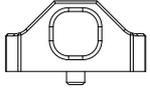
Bag F, Bag Carbon Bag Bearing and Screw Bag

-  **Flat Head Screw M3 x 6mm**
XP-40046
-  **Round Head Screw M3 x 8mm**
XP-40038
-  **Spacer 3 x 5 x 0.2mm**
XP-40066
-  **Bearing 3 x 6 x 2.5mm**
XP-40060
-  **Motor Mount Post**
XP-10135





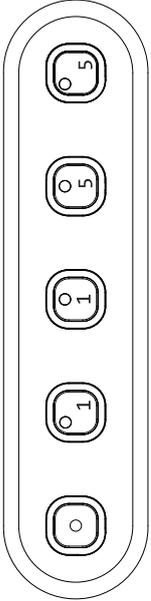
Bag G and Screw Bag



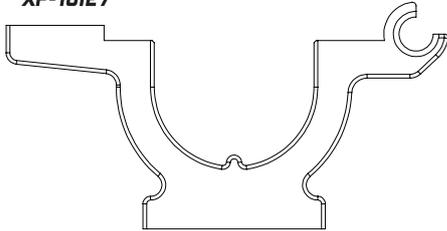
Alu Lower 2-Piece Suspension Holder
XP-10123



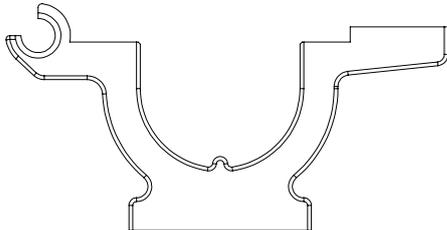
Flat Head Screw M3 x 6mm
XP-40046



Eccentric Bushing Set
XP-10127

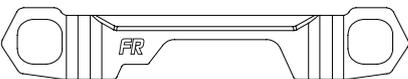


Separate Bulkhead Type A
XP-10588



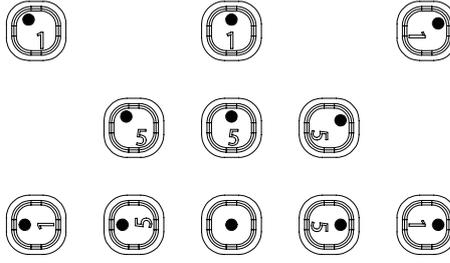
Separate Bulkhead Type B
XP-10589

Optional



Aluminum FR One Piece Suspension Mount
XP-10637

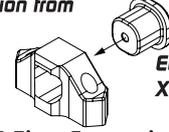
Brass FR One Piece Suspension Mount
XP-10638



Diagonal Offset

Use either 0.5 or 1 mm to shift the roll center in a diagonal direction from the center.

4X

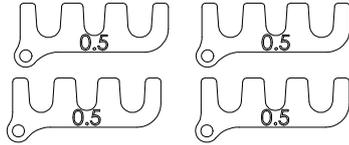


Eccentric Bushing Set
XP-10127

Alu Lower 2-Piece Suspension Holder XP-10123

Horizontal Offset

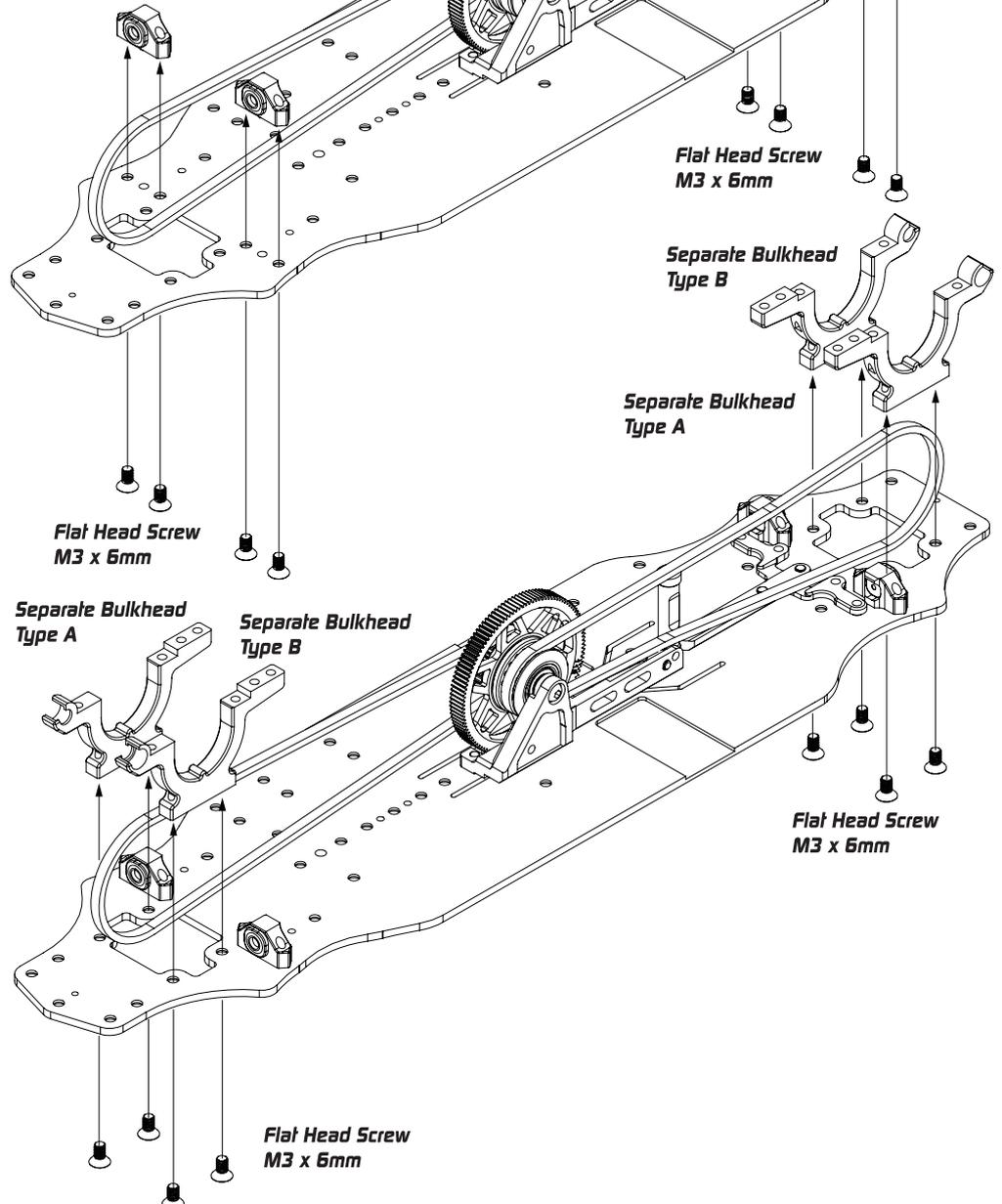
Choice of either 0.5 or 1 mm offset from center

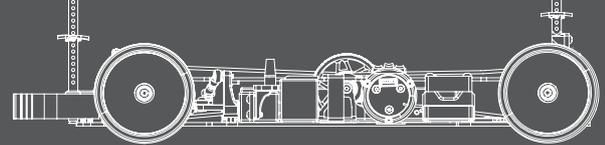


Lower Suspension Mount Spacer 0.5mm
XP-10726

For High Traction

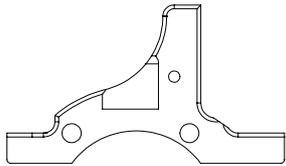
Alu Lower 2-Piece Suspension Holder



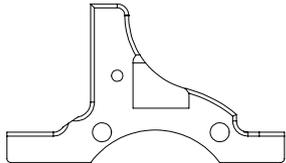


Bag H , Screw Bag

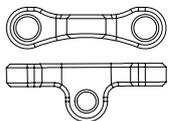
 **Round Head Screw M3 x 8mm**
XP-40038



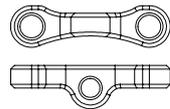
XQ10 Separate Upper Bulkhead Type A
XP-10563



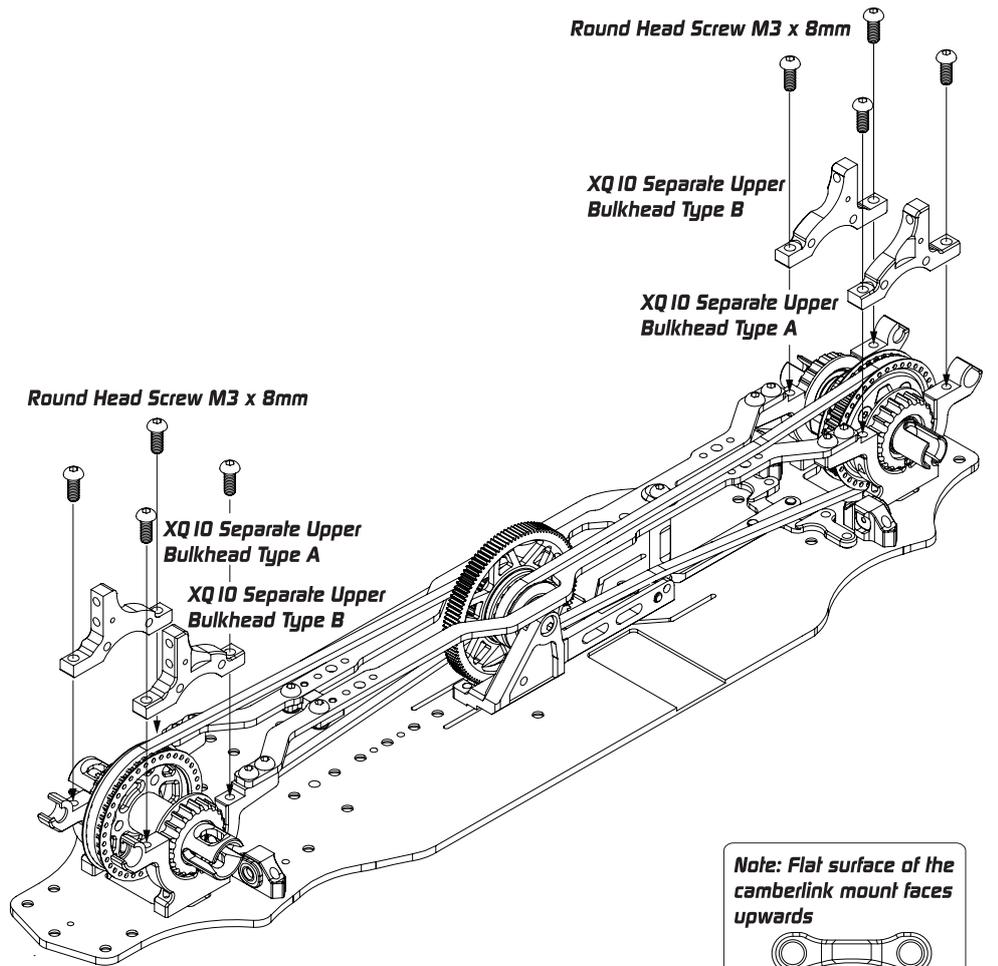
XQ10 Separate Upper Bulkhead Type B
XP-10558



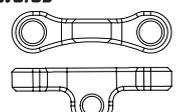
Camberlink Mount Rear
XP-10131



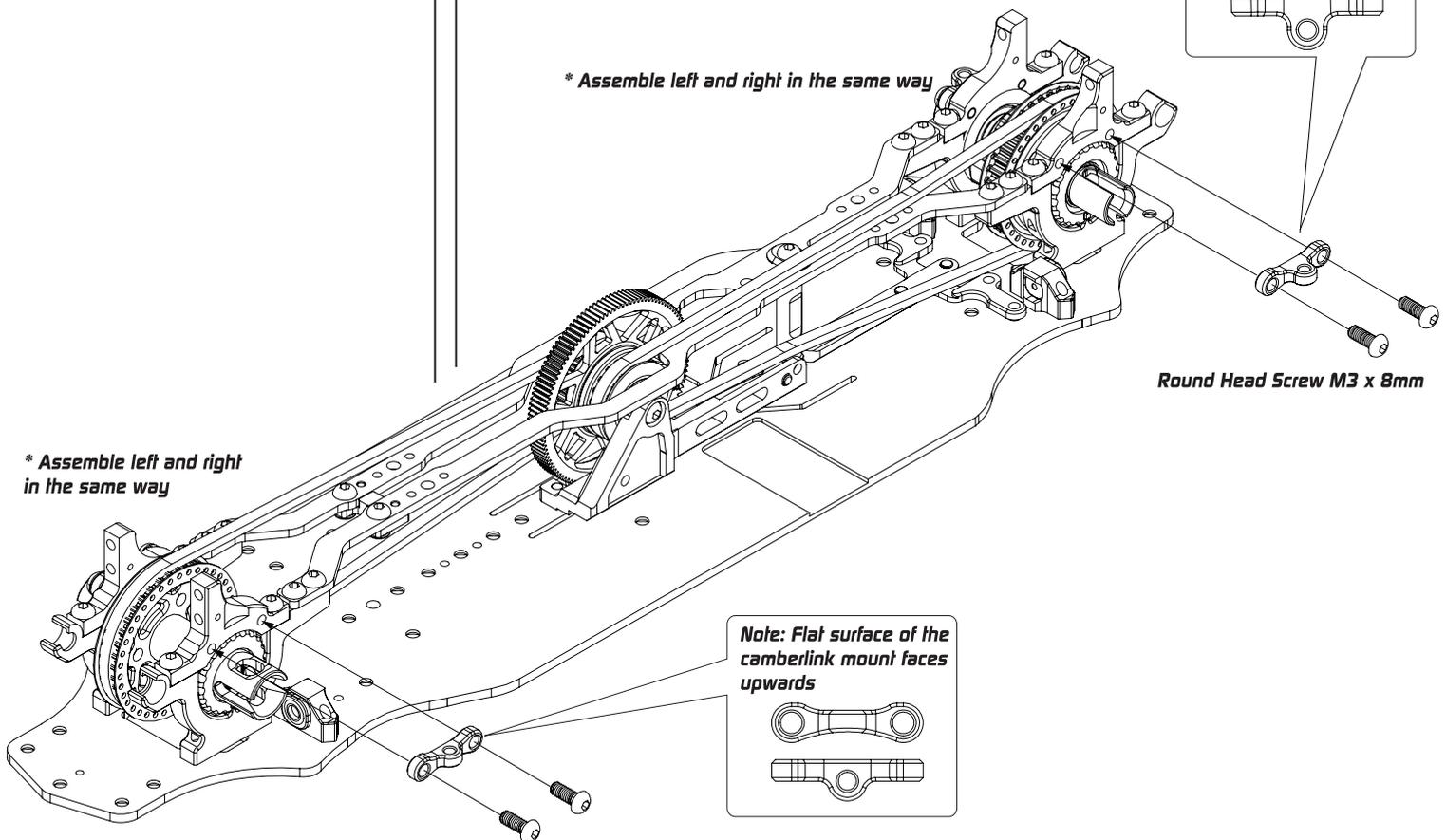
Camberlink Mount Front
XP-10105



Note: Flat surface of the camberlink mount faces upwards

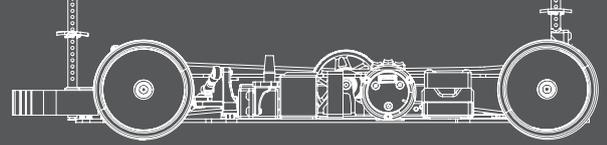


*** Assemble left and right in the same way**

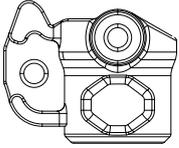


*** Assemble left and right in the same way**

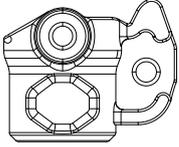
Round Head Screw M3 x 8mm



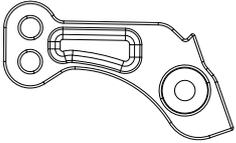
Bag I, Bag Bearing and Screw Bag



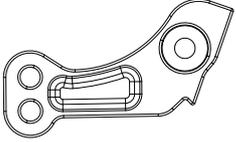
Hard Composite Steering Block Right
XP-10247



Hard Composite Steering Block Left
XP-10247



Hard Composite Steering Block Plate Right
XP-10247



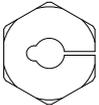
Hard Composite Steering Block Plate Left
XP-10247



Bearing 5 x 10 x 3mm
XP-40063



Bearing 5 x 10 x 4mm
XP-40064



Alu Wheel Hub Red
XP-10129



Pin 2 x 9.8mm
XP-40069



Round Head Screw M3 x 8mm
XP-40038



Cap Head Screw M1.6 x 4mm
XP-10129



Hex Set Screw M3 x 2mm
XP-40051



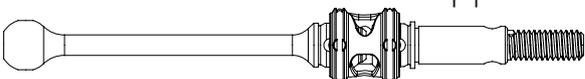
5 x 7 x 0.2mm Spacer
XP-40086



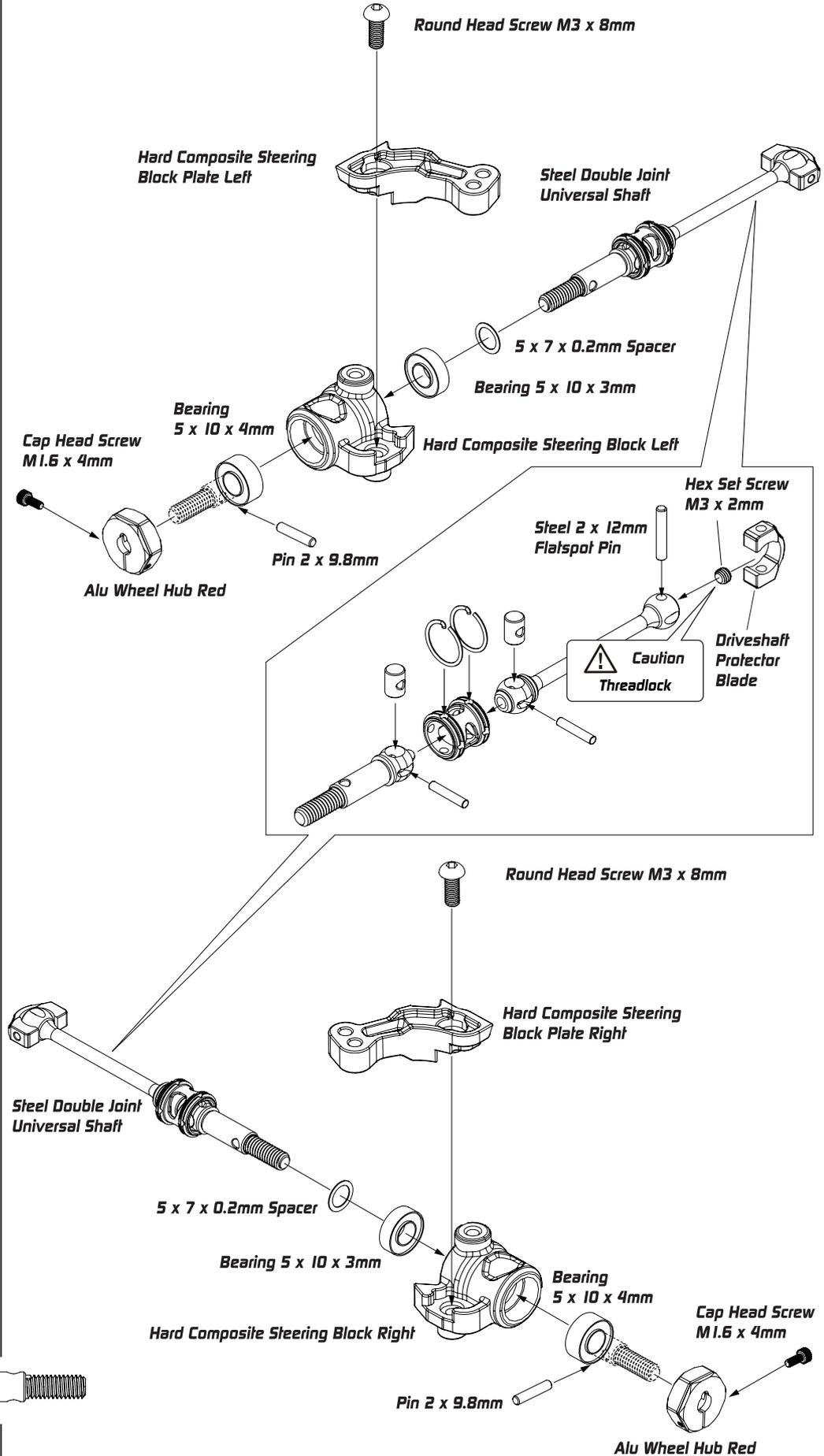
Steel 2 x 12mm Flatspot Pin for Universal
XP-40071

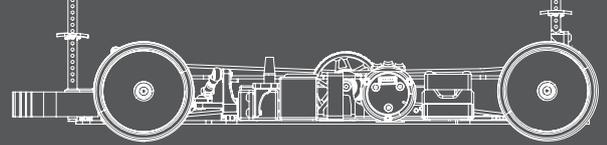


Driveshaft Protector Blade
XP-10128

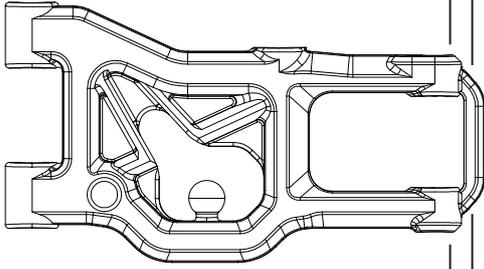


Steel Double Joint Universal Shaft
XP-20018

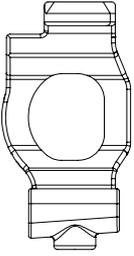




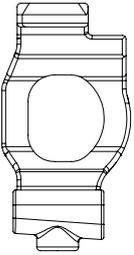
Bag 1, Spacer and Bag Screw



Strong Front Composite Suspension Arms V2
XP-10923



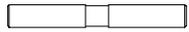
Hard Strong Composite V2
C Hub 4 Degree Left
XP-10810



Hard Strong Composite V2
C Hub 4 Degree Right
XP-10810



Suspension Pivot Pin 3 x 42mm
XP-10139



3mm Outer Suspension Pin w/ Groove
XP-10602



Alu Shim 3 x 5.5 x 1mm
XP-10119



Set Screw M3 x 3mm
XP-40052

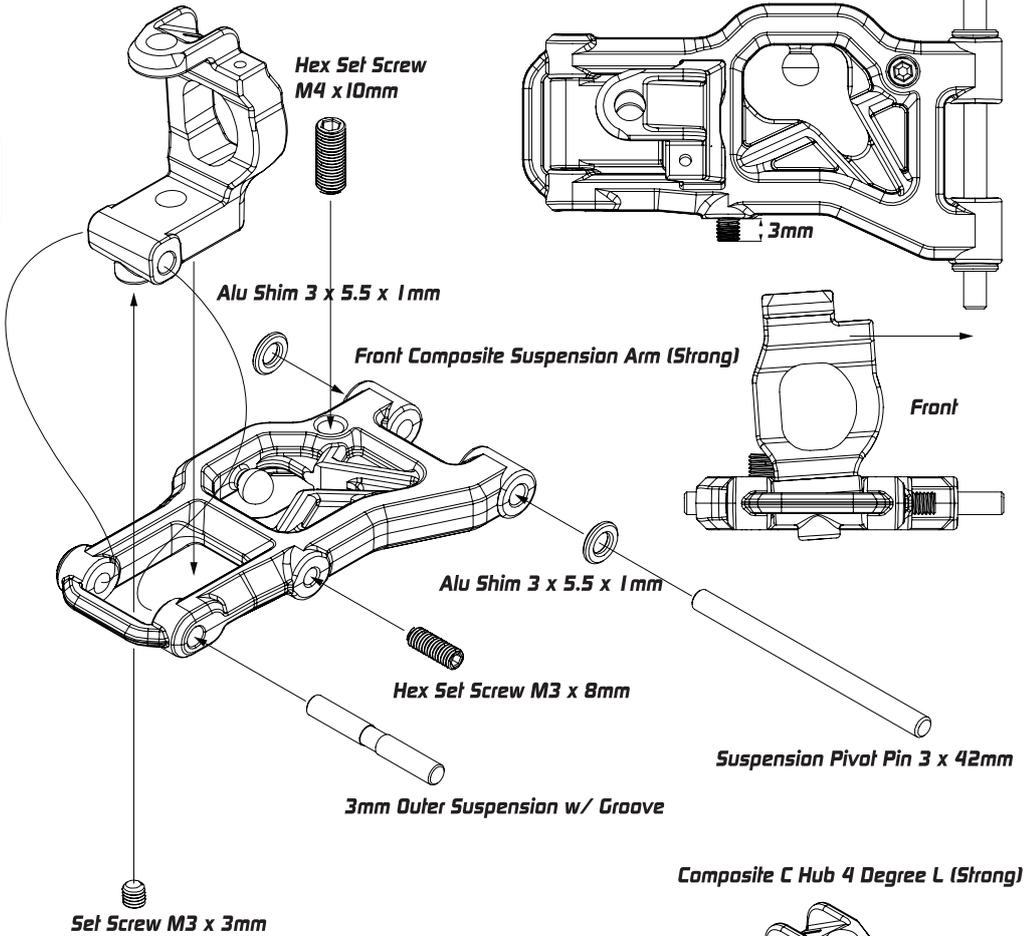


Hex Set Screw M4 x 10mm
XP-40056

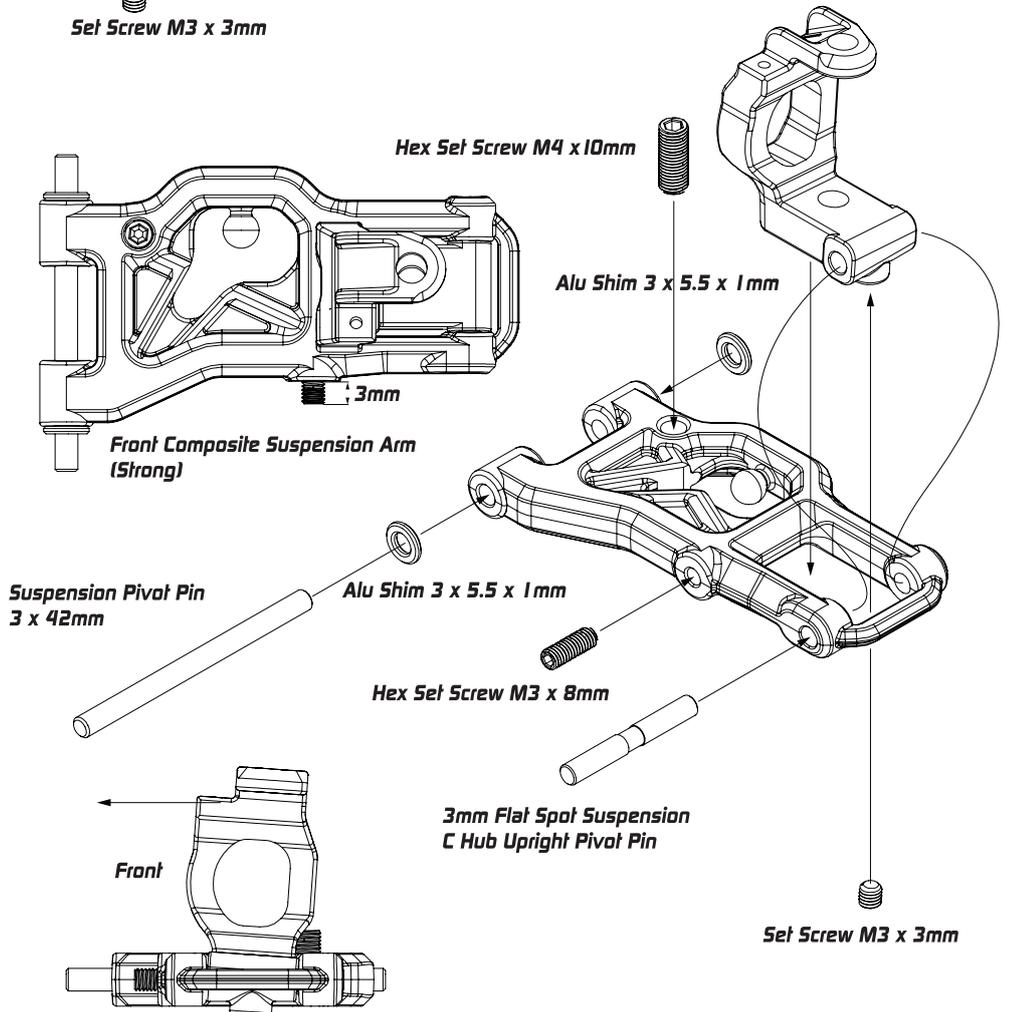


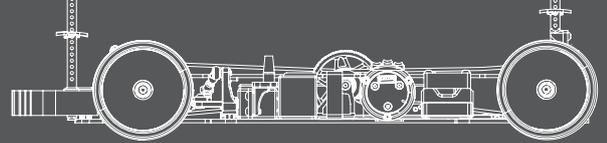
Hex Set Screw M3 x 8mm
XP-40054

Composite C Hub 4 Degree R (Strong)



Composite C Hub 4 Degree L (Strong)



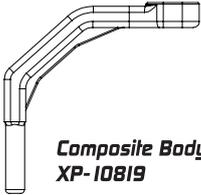


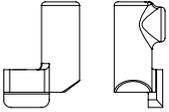
Bag 1 and Bag Spacer

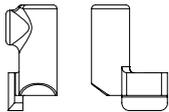
 **Alu Shim 3 x 5.5 x 1 mm**
XP-10119

 **King Pin Collar V2**
XP-10401

 **King Pin V2**
XP-10401

 **Composite Body Support Brace**
XP-10819

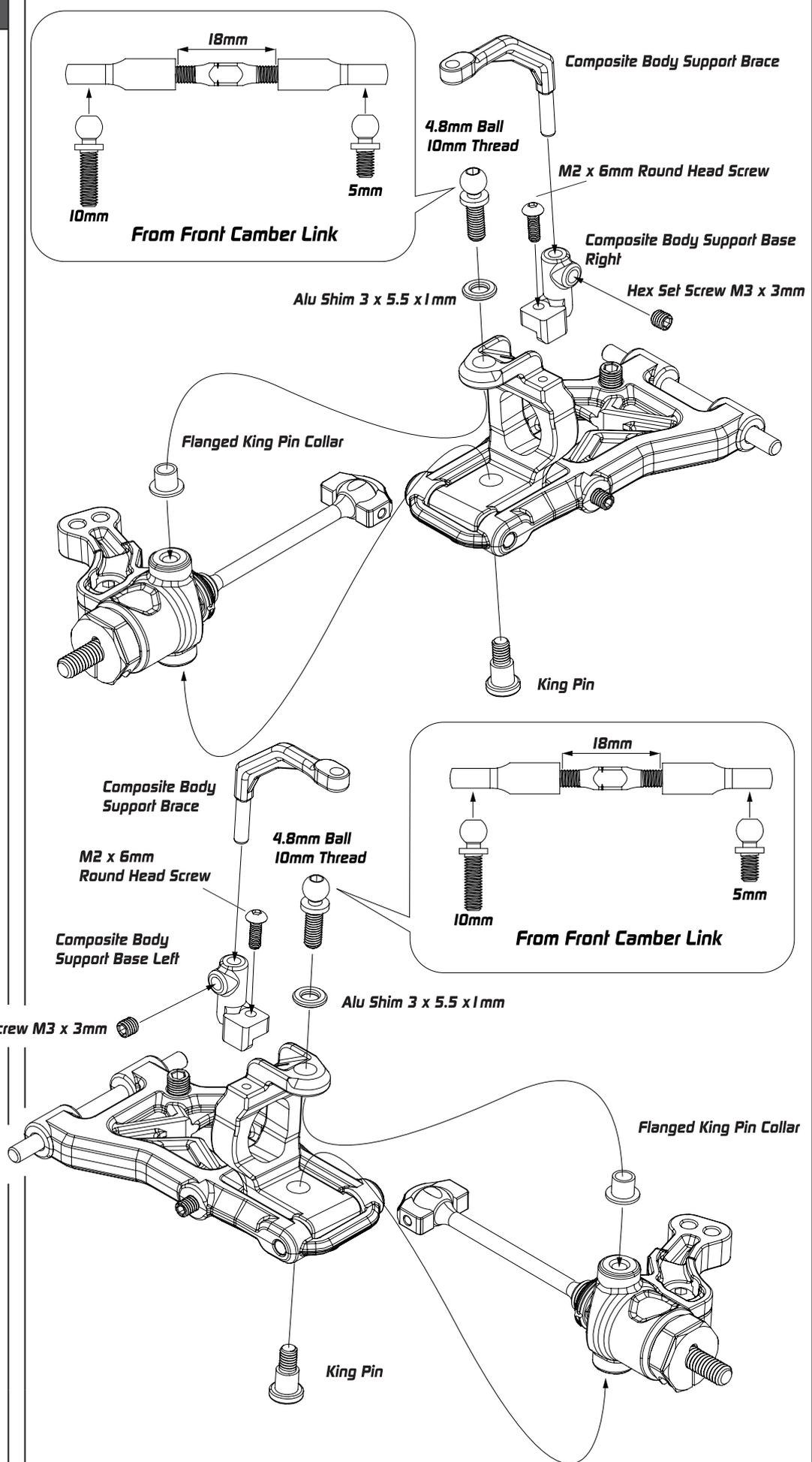
 **Composite Body Support Base - Left**
XP-10819

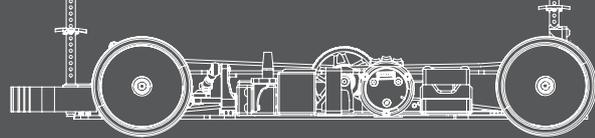
 **Composite Body Support Base - Right**
XP-10819

 **Hex Screw Round Head M2 x 6mm**
XP-40100

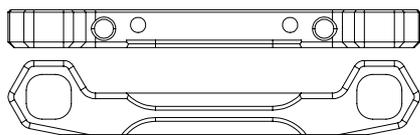
 **Set Screw M3 x 3mm**
XP-40052

 **Hex Set Screw M3 x 3mm**





Bag G , Bag I ,Screw Bag and Bag Spacer



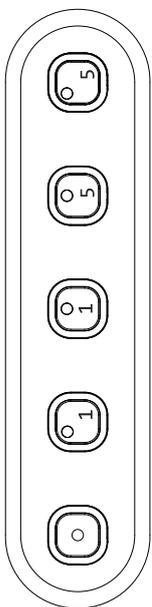
Alu Front Lower I-Piece Suspension Holder – FF
XP-10114



Alu Shim 3 x 5.5 x 1 mm
XP-10119

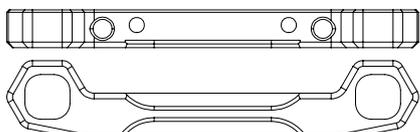


Flat Head Screw M3 x 6 mm
XP-40046

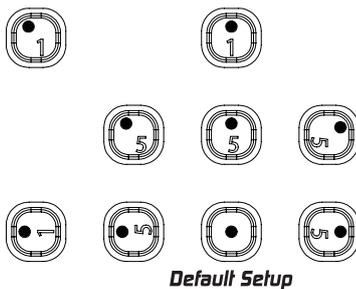


Eccentric Bushing Set
XP-10127

Optional



Brass Front Lower I-Piece Suspension Holder – FF
XP-10199

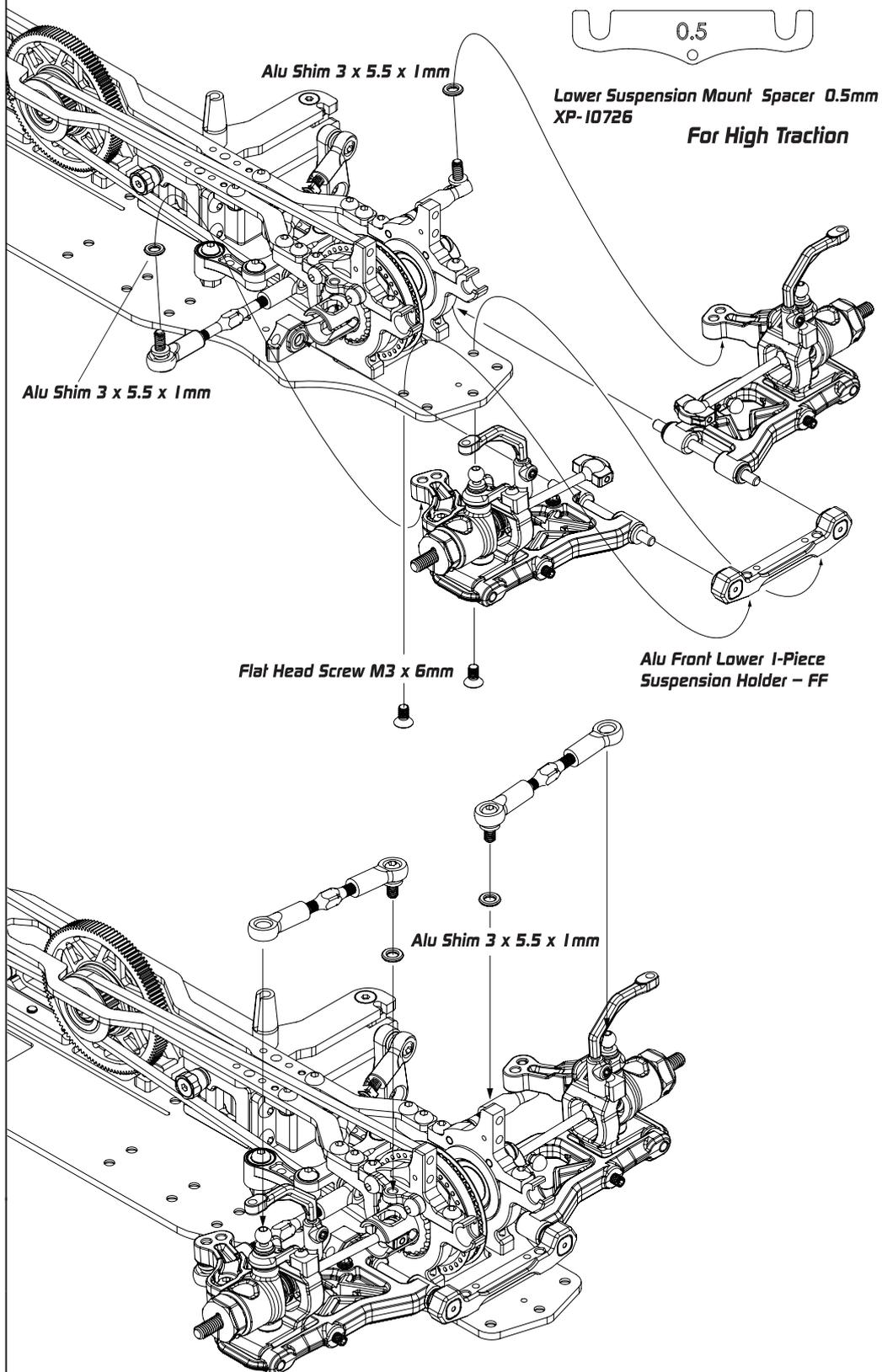


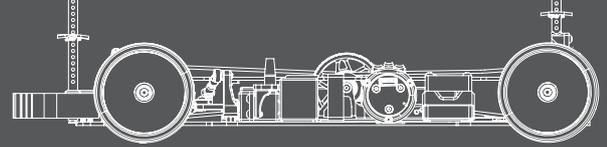
Diagonal Offset
Use either 0.5 or 1 mm to shift the roll center in a diagonal direction from the center

Eccentric Bushing Set

Horizontal Offset
Choice of either 0.5 or 1 mm offset from center

Alu Front Lower I-Piece Suspension Holder – FF

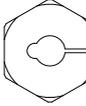




Bag J, Spacer, Bearing and Screw



Bearing 5 x 10 x 4mm
XP-40064



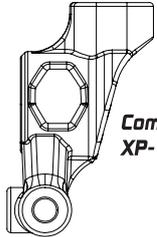
Alu Wheel Hub
XP-10129



Pin 2 x 9.8mm
XP-40069



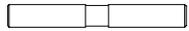
Alu Shim 3 x 5.5 x 1mm
XP-10119



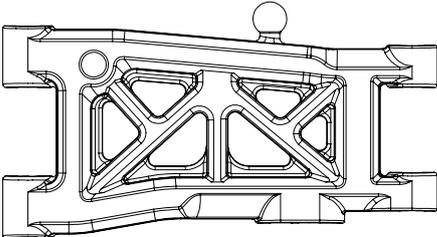
Composite Rear Upright (Hard) V2
XP-10822



Set Screw M3 x 3mm
XP-40052



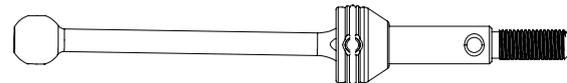
3mm Outer Suspension Pin w/ Groove
XP-10602



Strong Rear Composite Suspension Arms V2
XP-10923



Suspension Pivot Pin 3 x 42mm
XP-10139



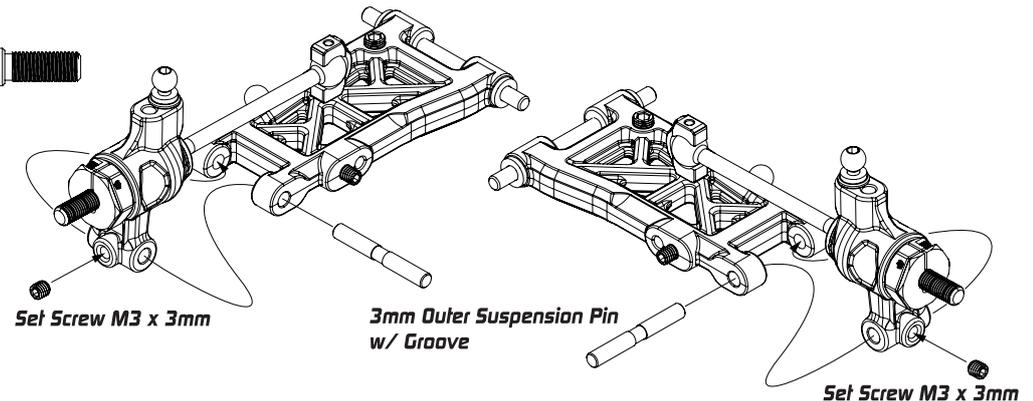
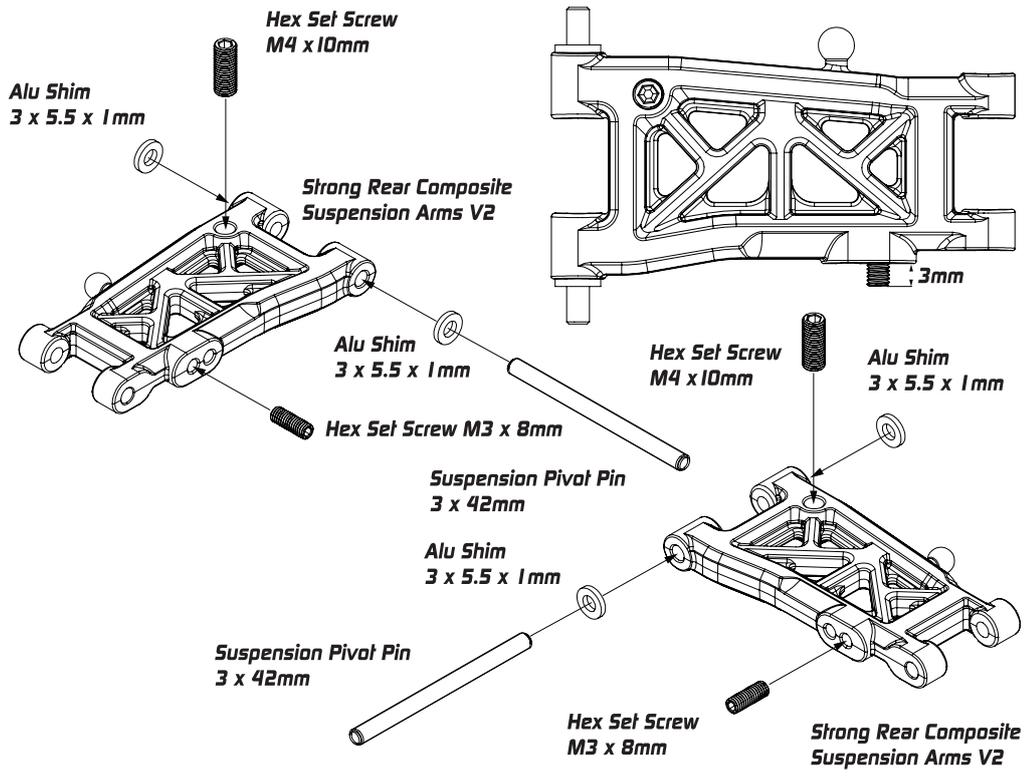
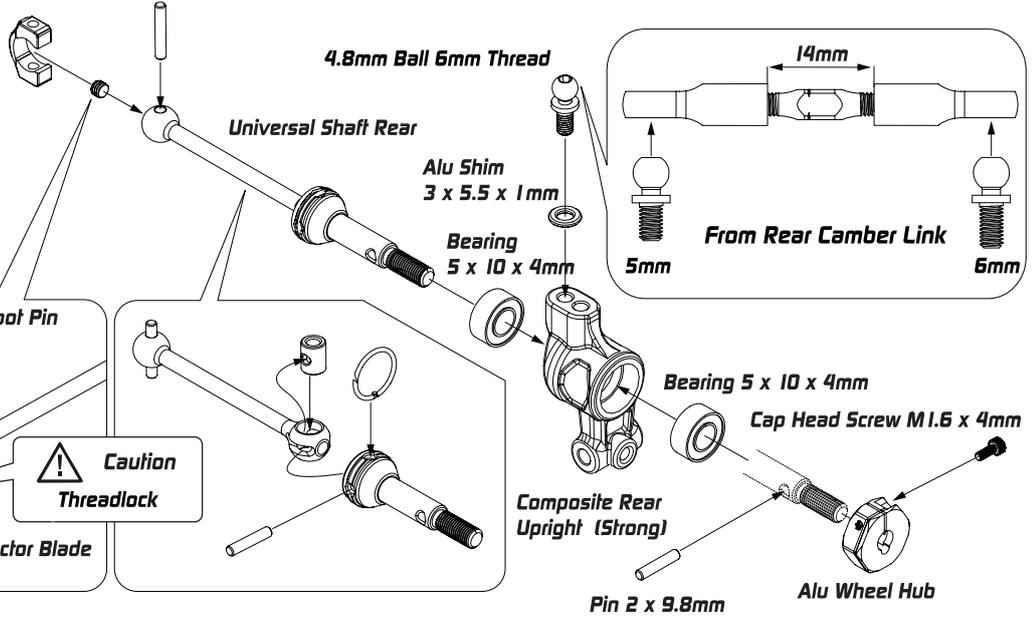
Universal Shaft Rear
XP-10167

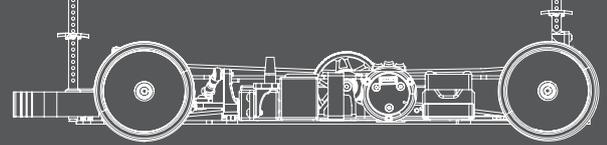


Hex Set Screw M3 x 2mm
XP-40051

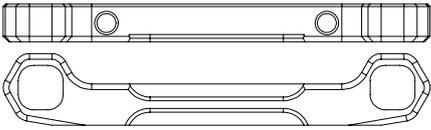


Steel 2 x 12mm Flatspot Pin for Universal
XP-40071





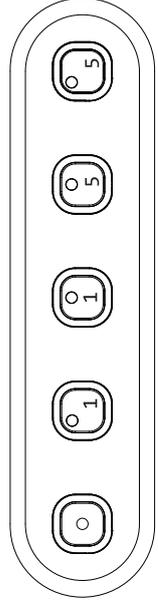
Bag G, Bag J, Spacer Bag and Screw



Alu Rear Lower 1-Piece Suspension holder - RR
XP-10124



Flat Head Screw M3 x 6mm
XP-40046

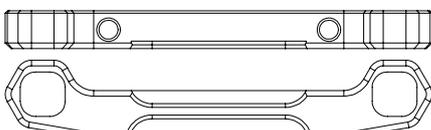


Eccentric Bushing Set
XP-10127

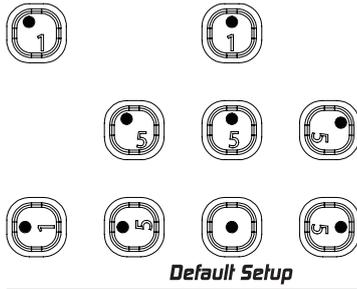


Alu Shim 3 x 5.5 x 1mm
XP-10119

Optional



Brass Rear Lower 1-Piece Suspension holder - RR
XP-10200



Diagonal Offset
Use either 0.5 or 1 mm to shift the roll center in a diagonal direction from the center.

Alu Rear Lower 1-Piece Suspension holder - RR

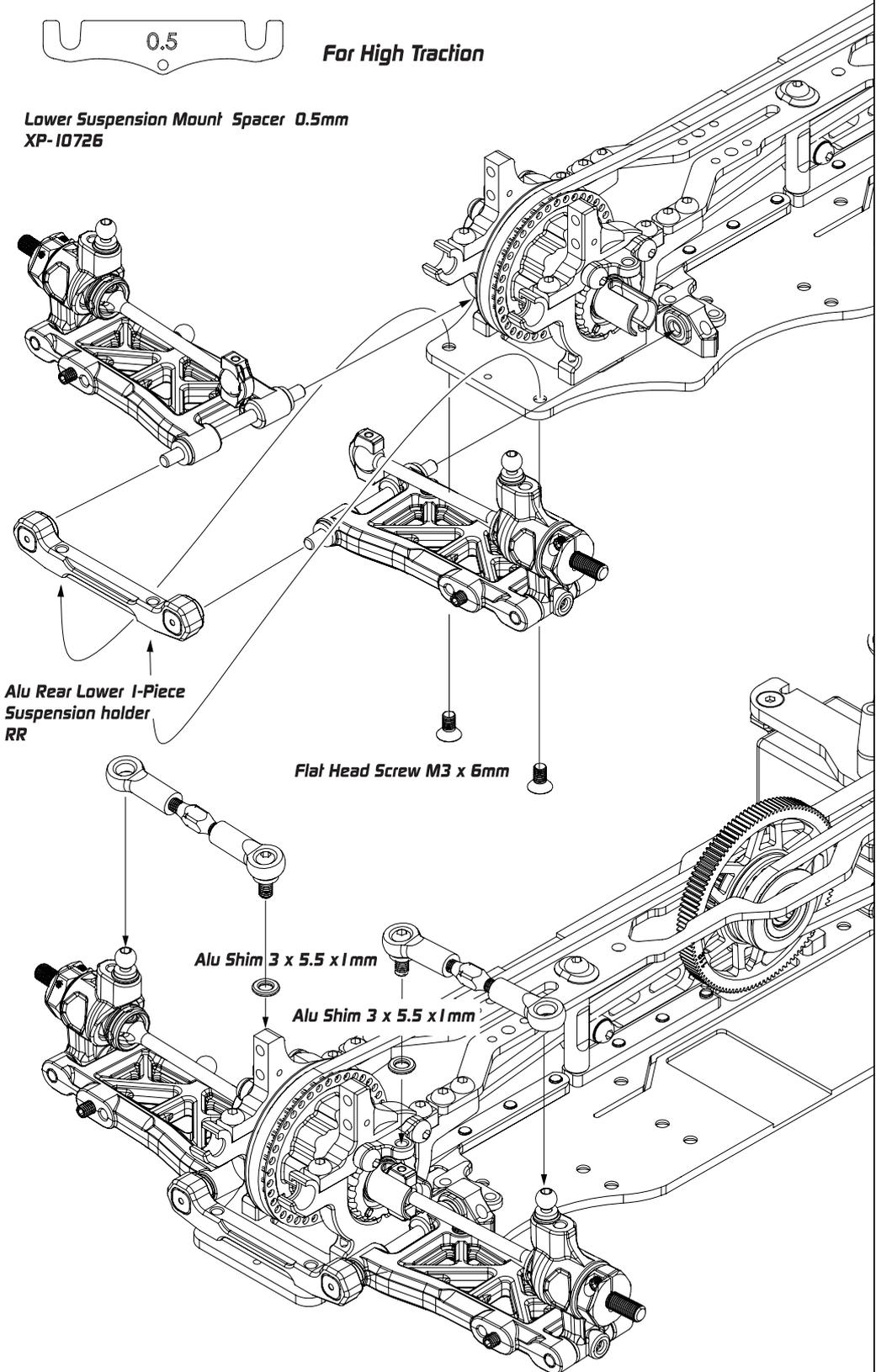
Eccentric Bushing Set

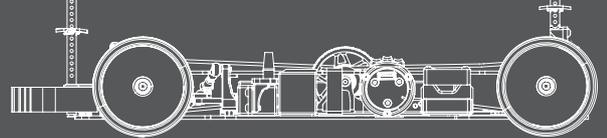
Horizontal Offset
Choice of either 0.5 or 1 mm offset from center



For High Traction

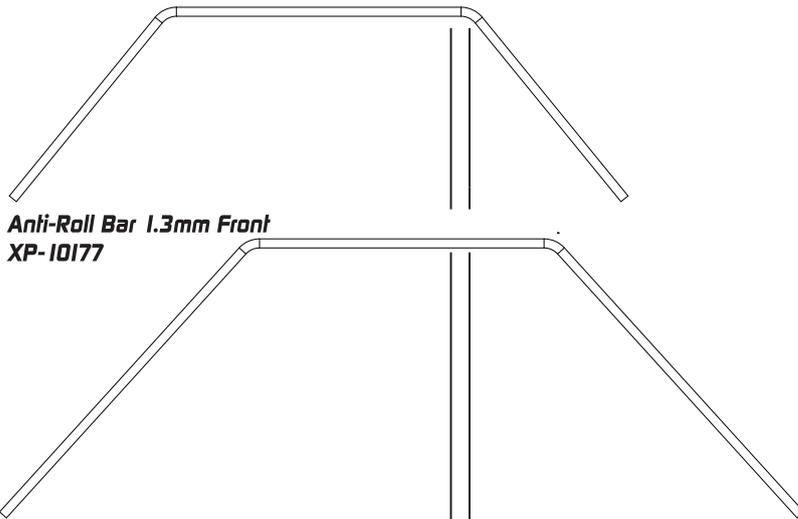
Lower Suspension Mount Spacer 0.5mm
XP-10726





Bag K , Bearing and Screw Bag

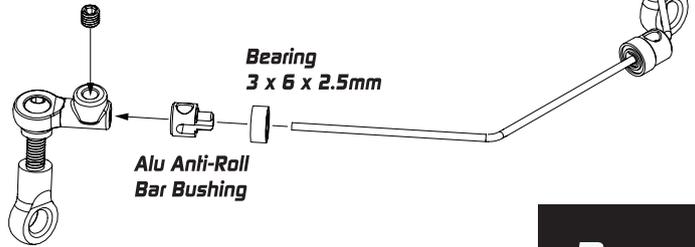
Front



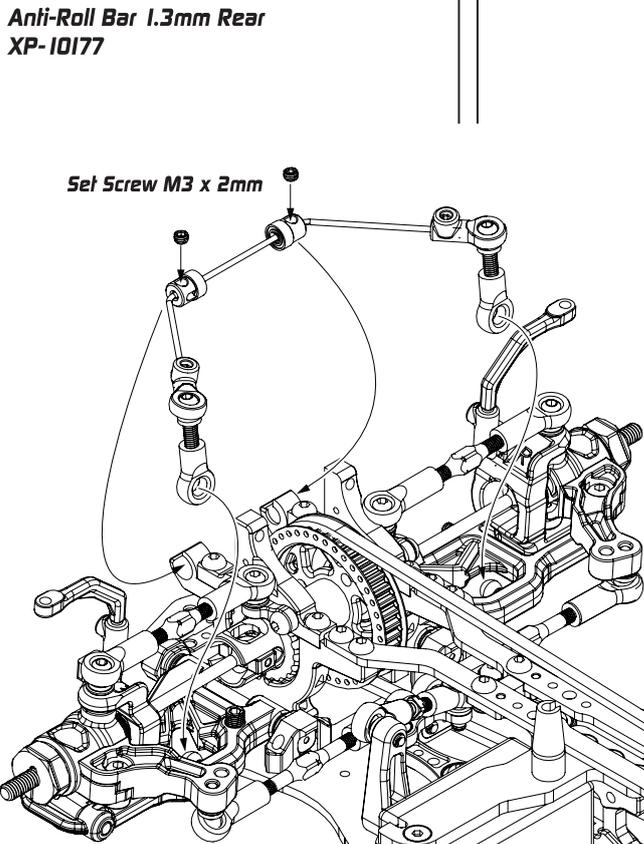
Set Screw M3 x 3mm

Bearing
3 x 6 x 2.5mm

Alu Anti-Roll
Bar Bushing



Rear

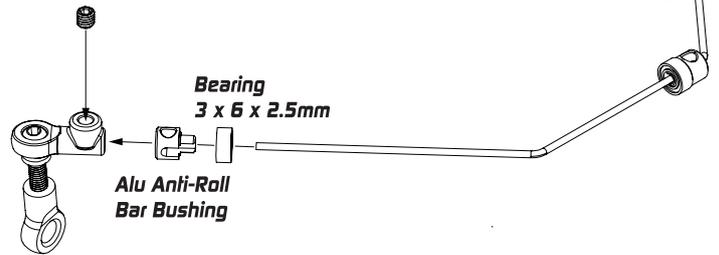


Set Screw M3 x 2mm

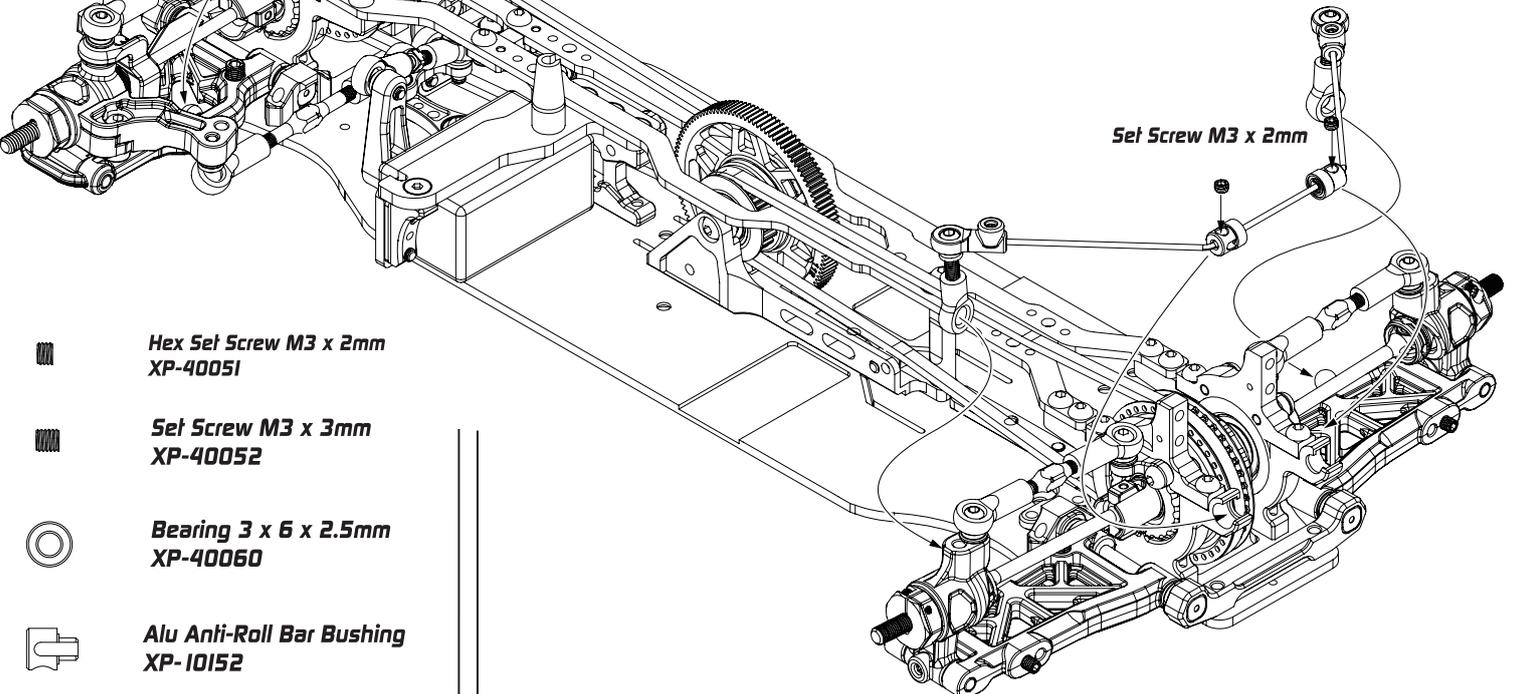
Set Screw M3 x 3mm

Bearing
3 x 6 x 2.5mm

Alu Anti-Roll
Bar Bushing



Set Screw M3 x 2mm



Hex Set Screw M3 x 2mm
XP-40051



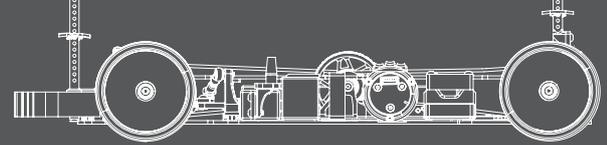
Set Screw M3 x 3mm
XP-40052



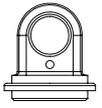
Bearing 3 x 6 x 2.5mm
XP-40060



Alu Anti-Roll Bar Bushing
XP-10152



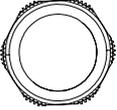
Bag L and Oil Bag



Long Travel Short Shock Composite Shock Top Connector XP-10724



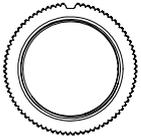
Long Travel Short Shock Lower Connector XP-10724



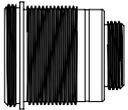
Alu Short Shock Cap XP-10578



Alu Lower Short Shock Cap XP-10579



Alu Short Shock Adjustable Nut XP-10580



Long Travel Aluminum Short Shock Body XP-10725



Short Shock Shaft XP-10582



4 Hole Piston XP-10159



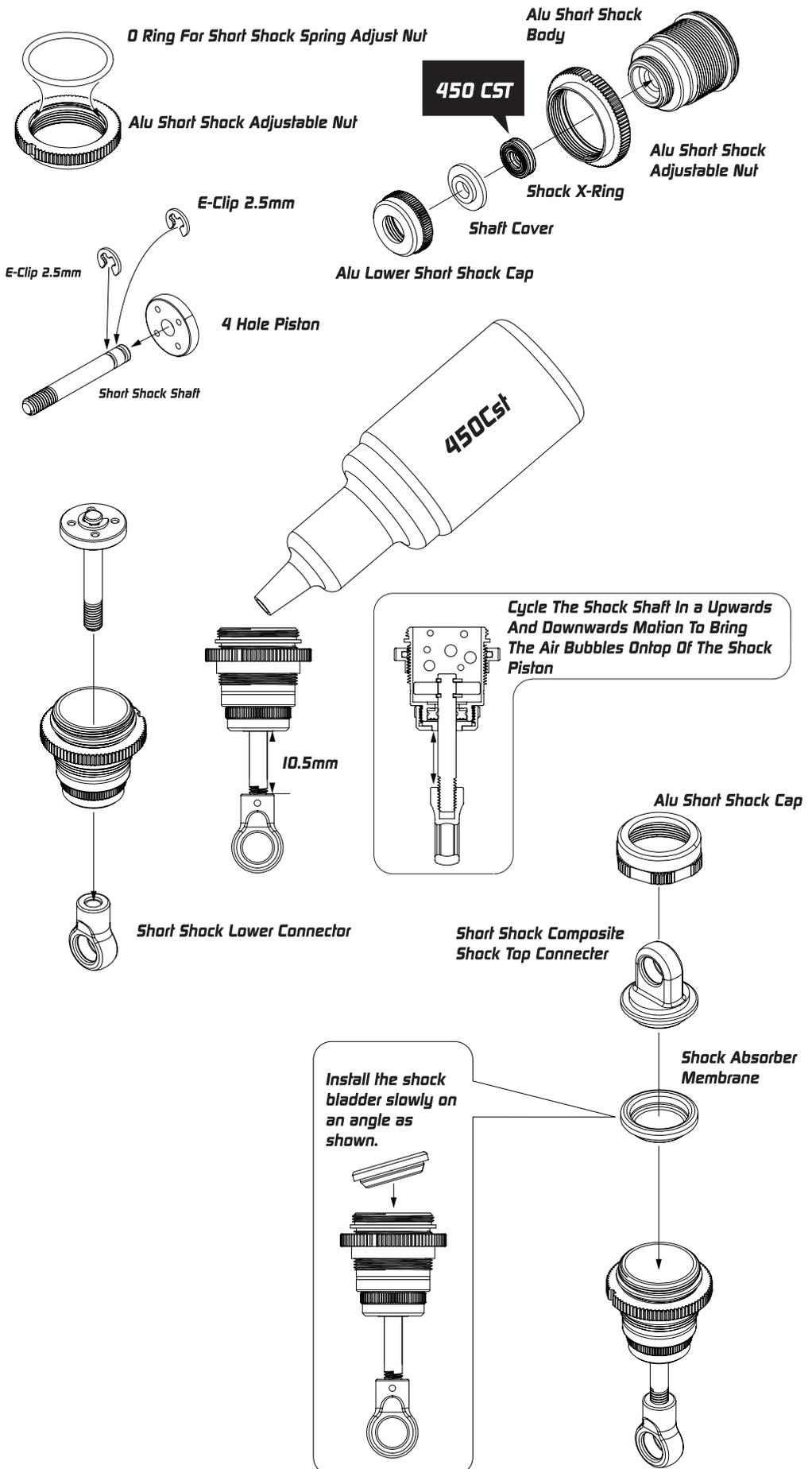
Shock Absorber Membrane XP-10147

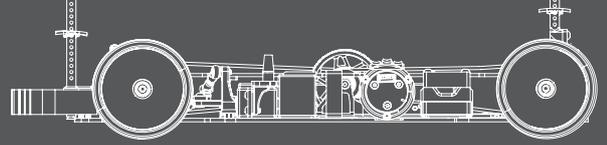


E-Clip 2.5mm XP-40057

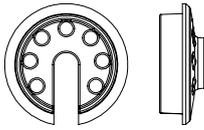


Shock X-Ring XP-10601

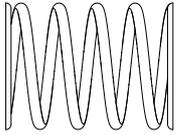




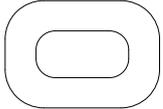
Bag L , Spacer and Screw Bag



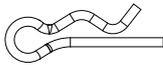
Short Spring Retainer
XP-10577



Shock Spring Medium Silver
XP-10169



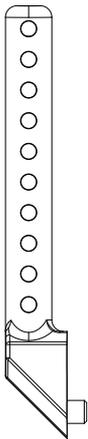
Body Height Adjuster Support
XP-10001



Body Clip
XP-10055



Round Head Screw M3 x 6mm
XP-40037



Rear Body Post
XP-10863



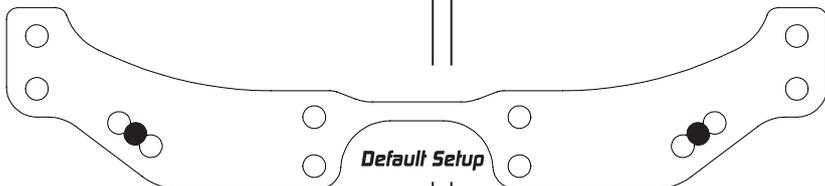
Alu Shim 3 x 5.5 x 1mm
XP-10119



Pivot Ball 5.5 mm
XP-10121



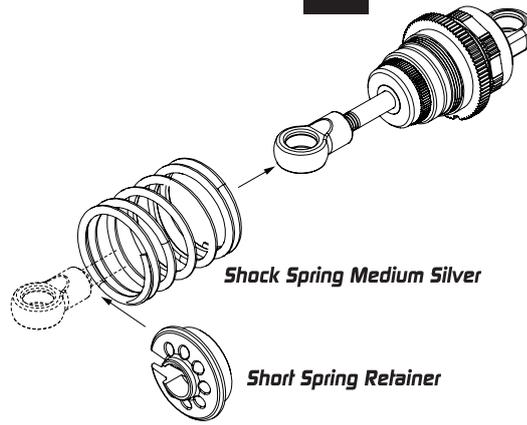
Round Head Screw M3 x 8mm
XP-40038



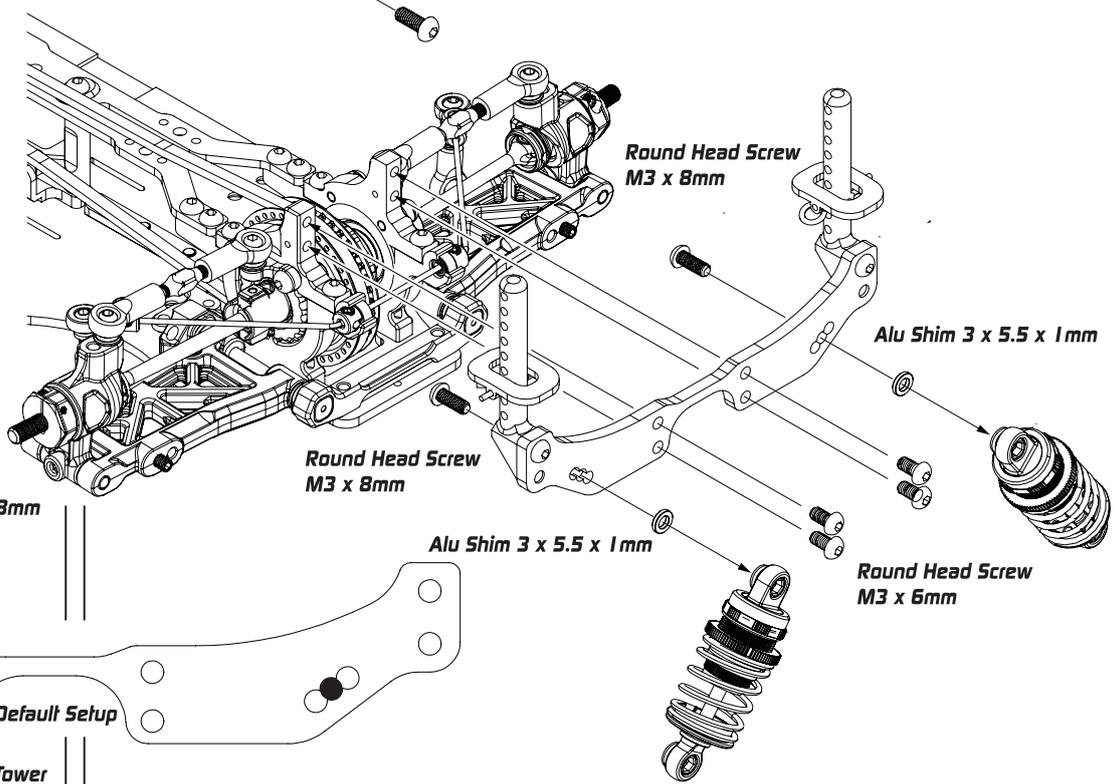
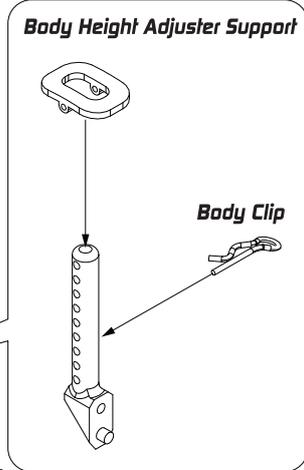
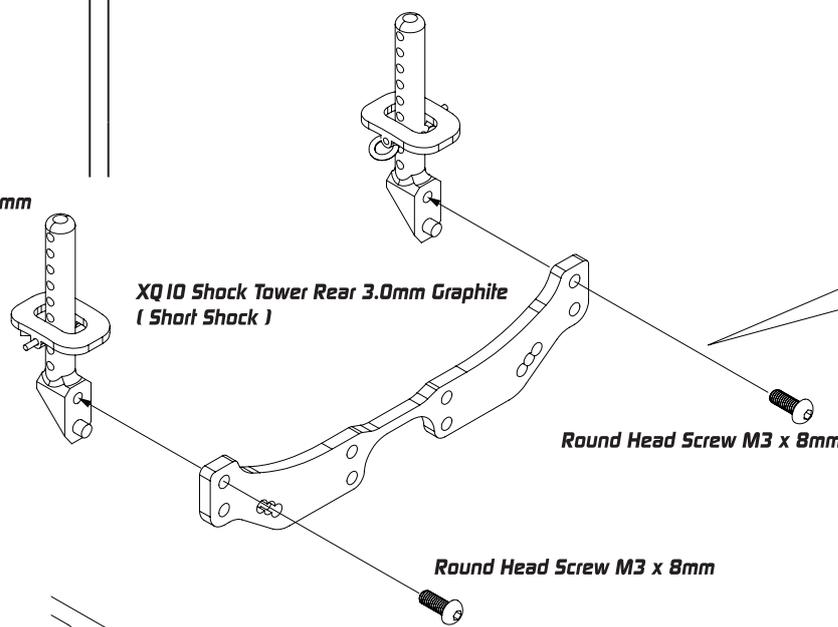
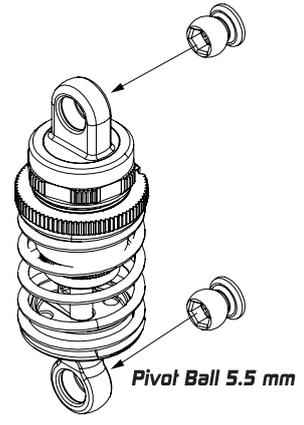
Graphite 3.0mm Rear High Flex Shock Tower
XP-10560

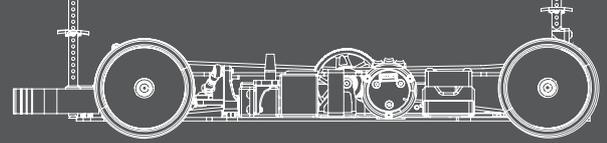
Default Setup

4X

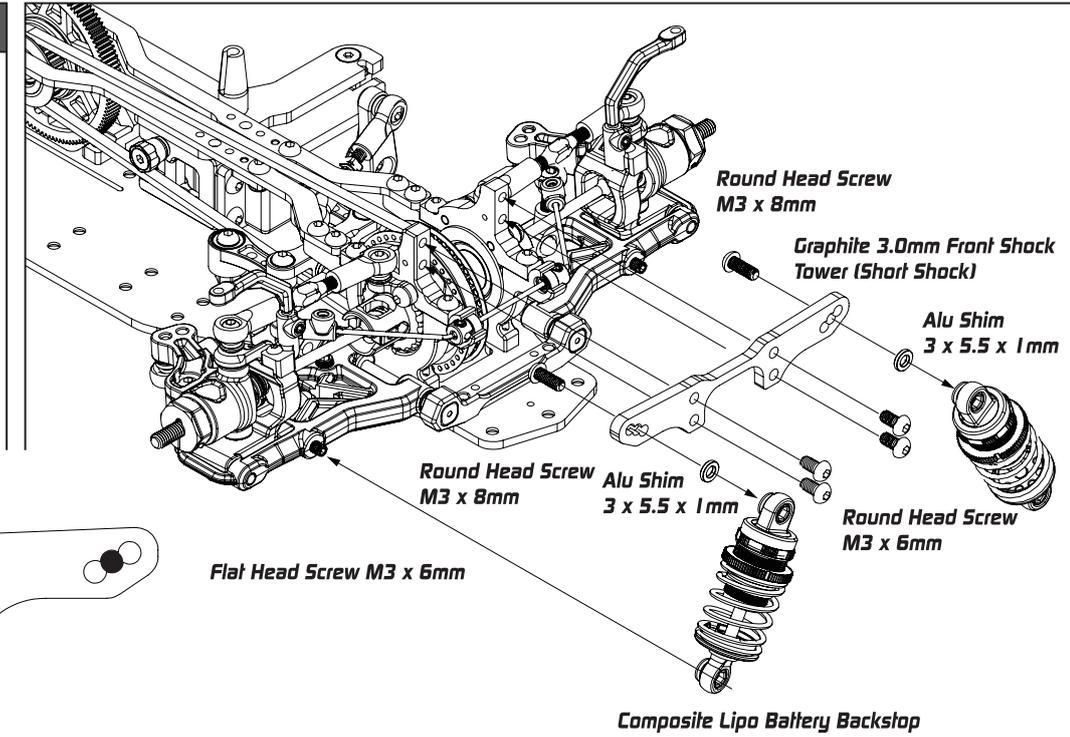


4X





Bag L , Carbon , Spacer and Screw Bag



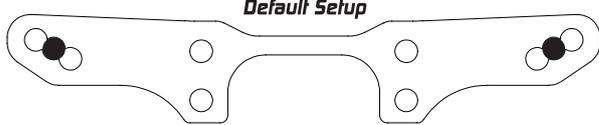
**Flat Head Screw M3 x 8mm
XP-40048**



**Flat Head Screw M3 x 6mm
XP-40046**



**Alu Shim 3 x 5.5 x 1mm
XP-10119**

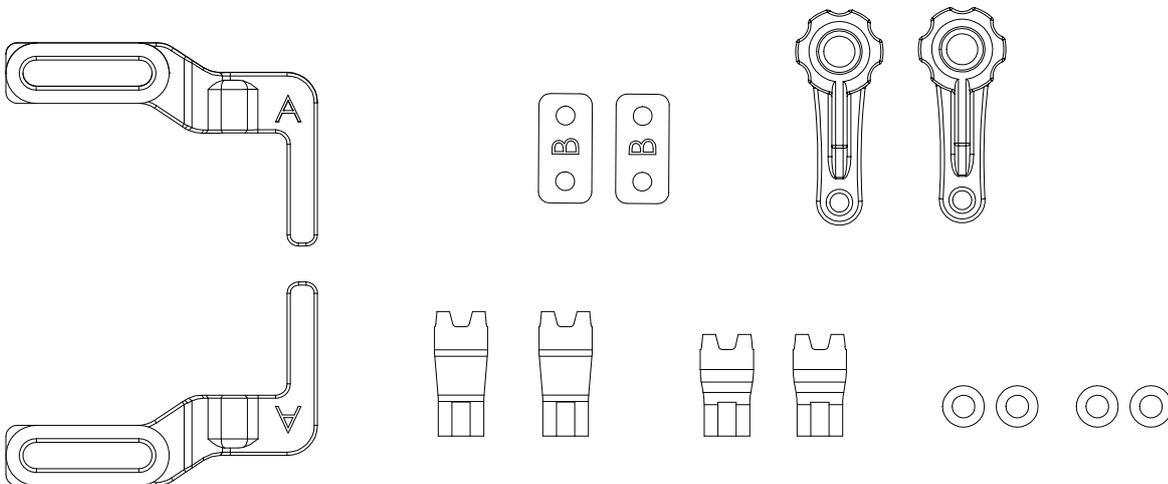


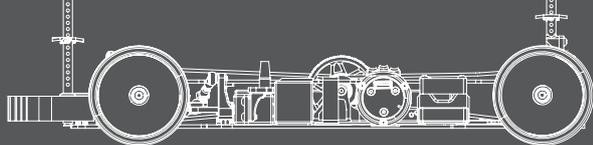
**Graphite 3.0mm Front High Flex Shock Tower
XP-10833**



**Round Head Screw M3 x 6mm
XP-40037**

Prepare These Composite Battery Holder From Bag 0

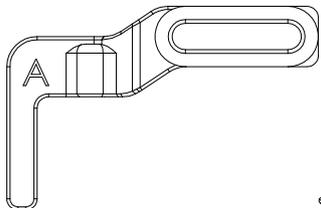




Bag O and HW K



Composite Battery Holder Base A Back XP-10717



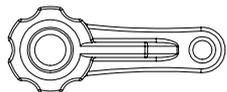
Composite Battery Holder Base A Front XP-10717



Composite Battery Adaptor B XP-10717



Hex Set Screw M3 x 4mm XP-40053



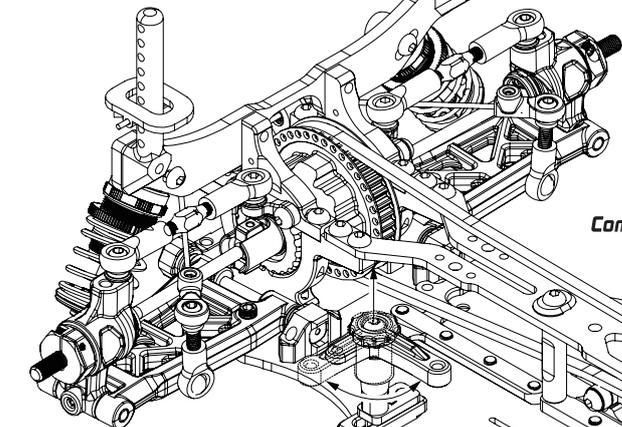
Composite Battery Holder XP-10717



Composite Battery Holder Post For Standard Battery XP-10717



Flat Head Screw M3 x 6mm XP-40046



Composite Battery Holder Post For LCG Battery XP-10717



Battery Holder Spring XP-10717



Battery Holder Post XP-10717



Round Head Screw M3 x 12mm XP-40040

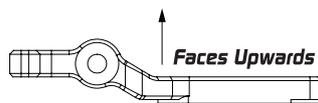


Flat Head Screw M3 x 8mm XP-40048

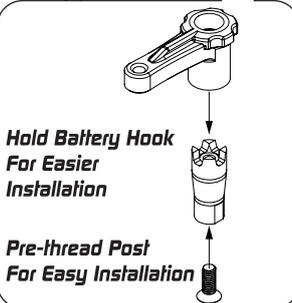
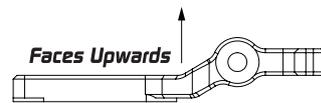


Flat Head Screw M3 x 14mm XP-40114

Note The Direction

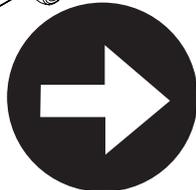


Note The Direction

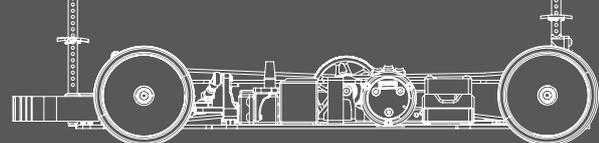


Hold Battery Hook For Easier Installation

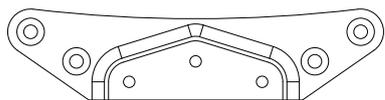
Pre-thread Post For Easy Installation



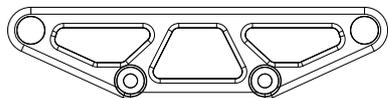
More Information On Next Page



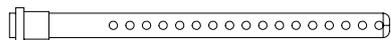
Screw Bag



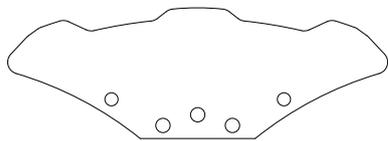
Lower Bumper
XP-10863



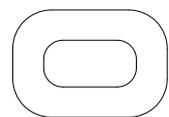
Bumper Plate For Light Bumper
XP-10863 Optional XP-10243, XP-10387



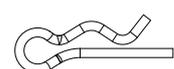
Front Body Post
XP-10863



Foam Bumper Light
XP-10562



Body Height Adjuster Support
XP-10863



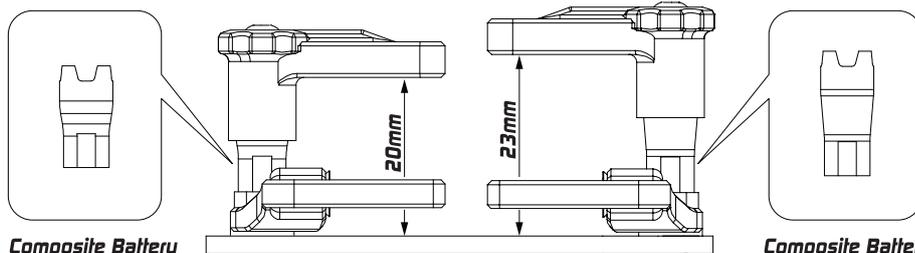
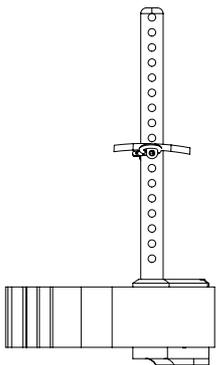
Body Clip
XP-10055



Flat Head Screw M3 x 10mm
XP-40049



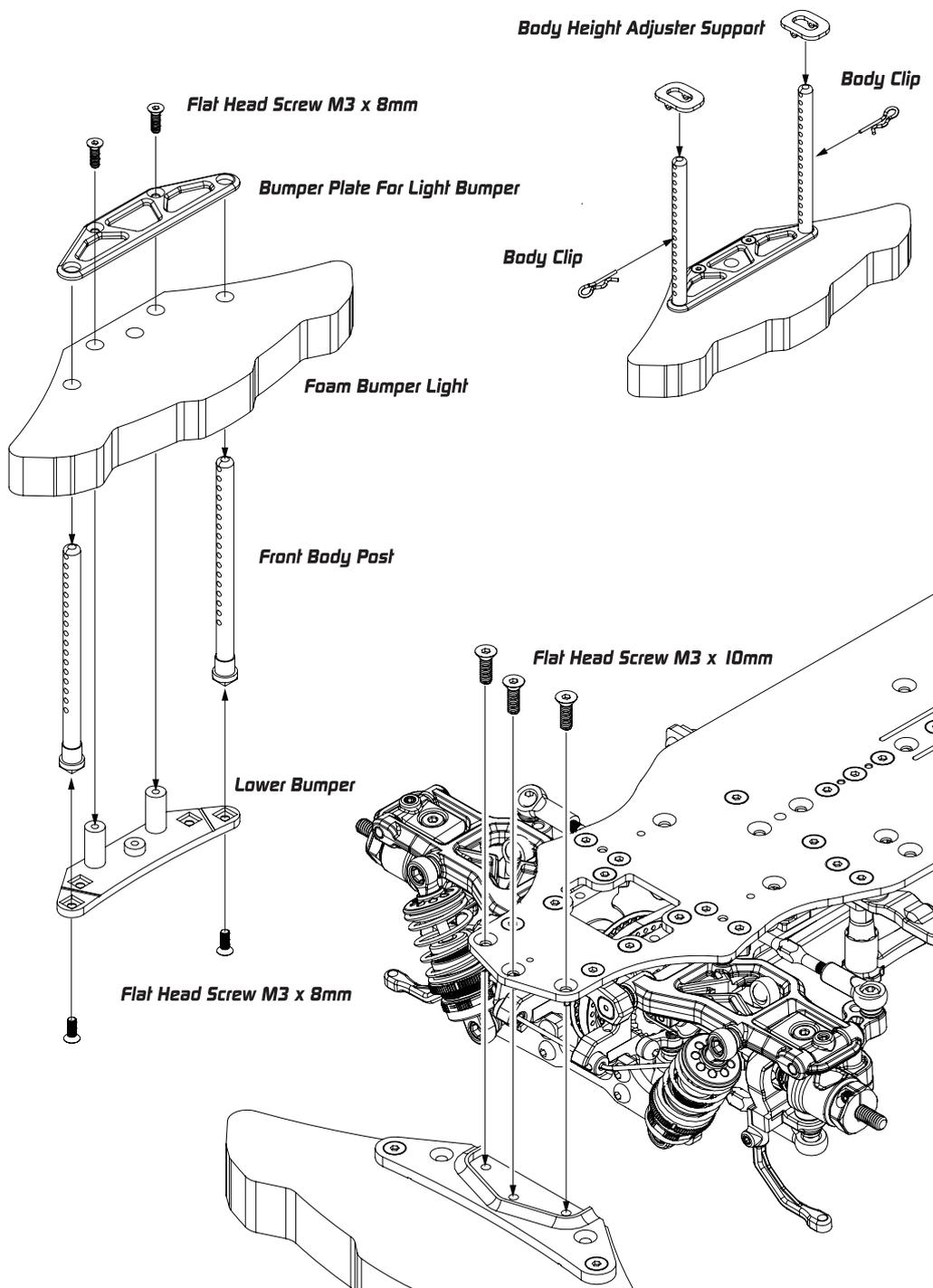
Flat Head Screw M3 x 8mm
XP-40048

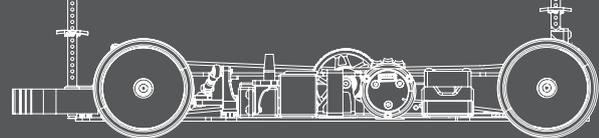


Composite Battery Holder Post For LCG Battery
XP-10717

Freely Adjust Height Of Post With Shims,
Change To a 16mm Screw If Needed

Composite Battery Holder Post For Standard Battery
XP-10717

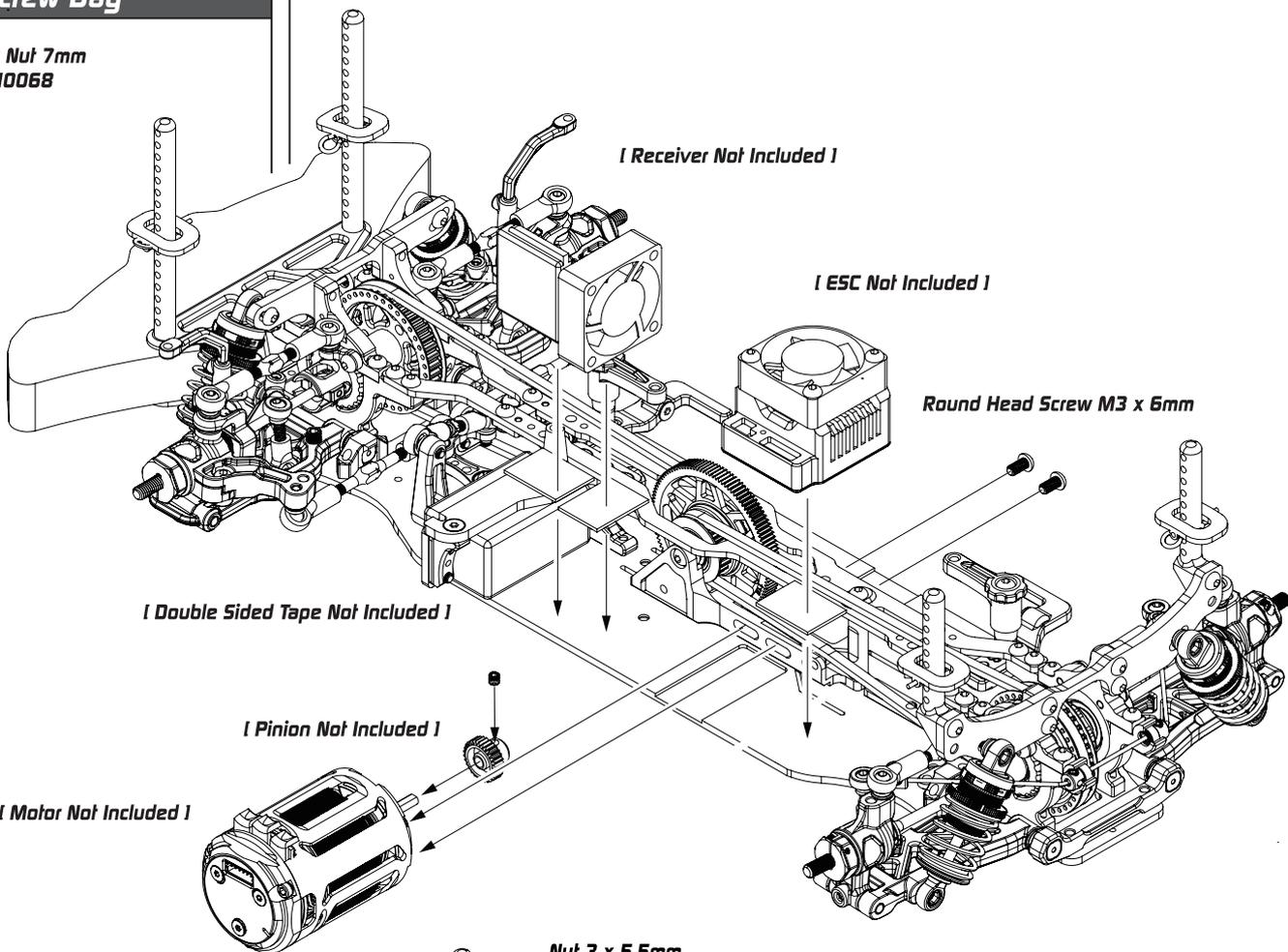




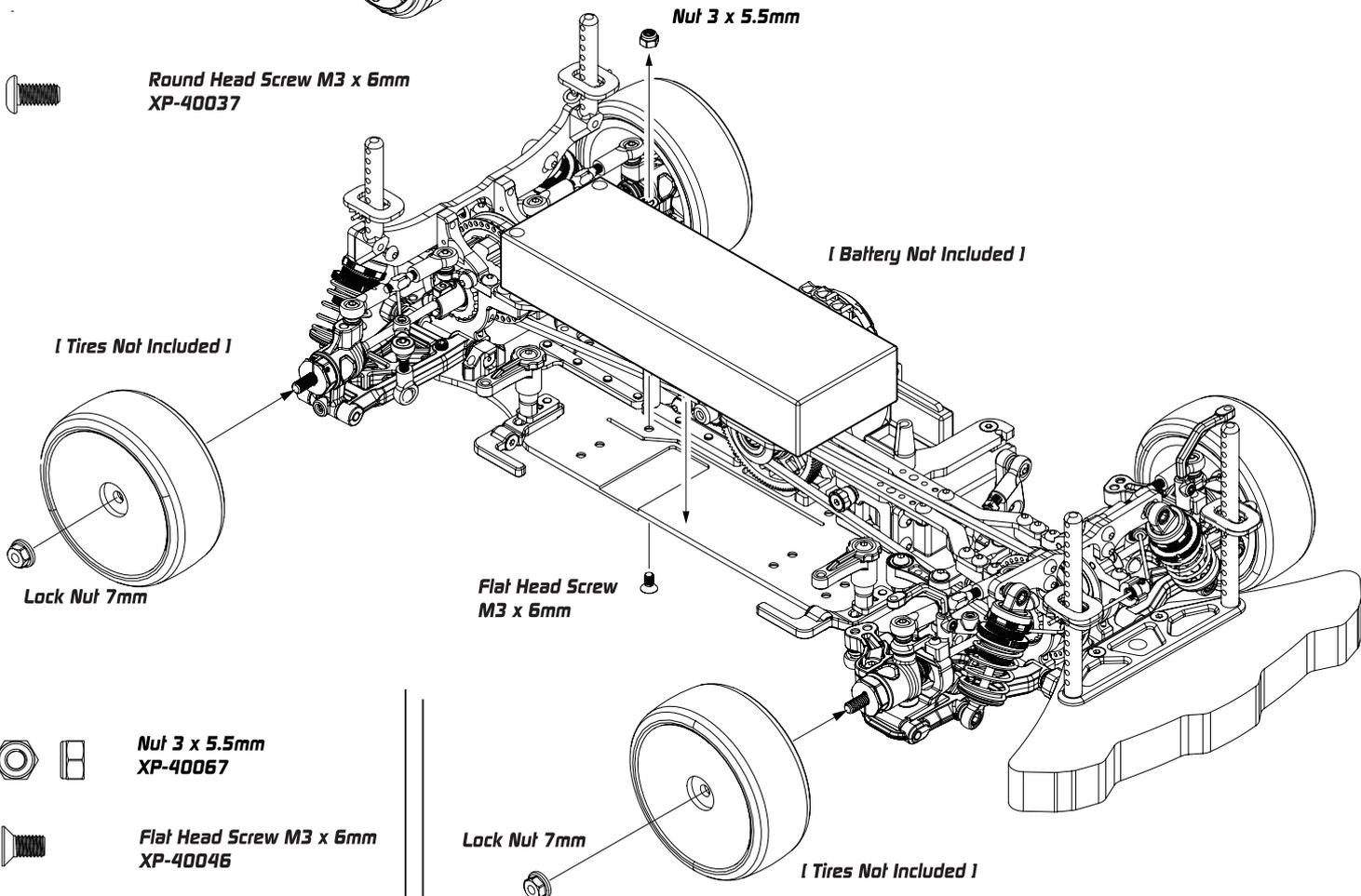
Screw Bag



**Lock Nut 7mm
XP-40068**



**Round Head Screw M3 x 6mm
XP-40037**



**Nut 3 x 5.5mm
XP-40067**



**Flat Head Screw M3 x 6mm
XP-40046**

Driver _____ Track Surface _____ Track Temperature _____
 Date _____ Track Traction _____ Result _____ Air Temperature _____
 Track _____ Country _____ Best Lap _____ Humidity _____ Remark _____

Front

Spacer mm
3 2 1
Spacer mm
1 2 3
Spacer mm
5.2 5.0 4.8 4.6 4.4 4.2 4
XPRESS
4 4.2 4.4 4.6 4.8 5.0 5

Camber Link	C-Hub	Hex Offset _____ mm	_____ mm	Camber Link
<input type="checkbox"/> M <input type="checkbox"/> H	<input type="checkbox"/> M <input type="checkbox"/> H	Camber _____	_____	<input type="checkbox"/> M <input type="checkbox"/> H
<input type="checkbox"/>	Steering Block	Ride Height _____ mm	_____ mm	<input type="checkbox"/>
<input type="checkbox"/>	<input type="checkbox"/> M <input type="checkbox"/> H	DownStop _____ mm	_____ mm	<input type="checkbox"/>
<input type="checkbox"/>	Suspension Arm	Sway Bar _____ mm	_____ mm	<input type="checkbox"/>
<input type="checkbox"/>	<input type="checkbox"/> M <input type="checkbox"/> H			<input type="checkbox"/>

Optional On-Power Control System

Spacer mm
Spacer mm
Spacer mm
Spacer mm

Hex Offset _____ mm	_____ mm	Caster _____
Camber _____	_____	Steering Block
Ride Height _____ mm	_____ mm	<input type="checkbox"/> M <input type="checkbox"/> H
DownStop _____ mm	_____ mm	Suspension Arm
Sway Bar _____ mm	_____ mm	<input type="checkbox"/> M <input type="checkbox"/> H

Front
 Toe Out _____
 Front Tire Additive Area
 Lower Arm Spacer _____ mm
 Shock Tower Spacer _____ mm
 Wheelbase Spacer _____ mm
 FF _____ mm
 FR _____ mm

Rear
 Toe In _____
 Rear Tire Additive Area
 Lower Arm Spacer _____ mm
 Shock Tower Spacer _____ mm
 Link Spacer _____ mm
 Wheelbase Spacer _____ mm
 RF _____ mm
 RR _____ mm
 Weight _____ g

Spacer mm
Bump Steering Spacer mm
Link Spacer mm
Weight g
8.0
8.5
9.0

Suspension Mount Setup

FF
 I Alu Shim _____ mm
 0.5 Brass

FR
 I Alu Spill Shim _____ mm
 0.5 Brass Solid

RR
 I Alu Shim _____ mm
 0.5 Brass

RF
 I Alu Spill Shim _____ mm
 0.5 Brass Solid

Flex Control

Graphite Chassis Nut
 Aluminum Chassis Center Post

Front Under Chassis Stiffener
 None
 Graphite
 Brass

Rear Under Chassis Stiffener
 None
 Graphite
 Brass

Standard Battery
 Short Battery (Forward Position)
 Short Battery (Backward Position)

Damper Setup

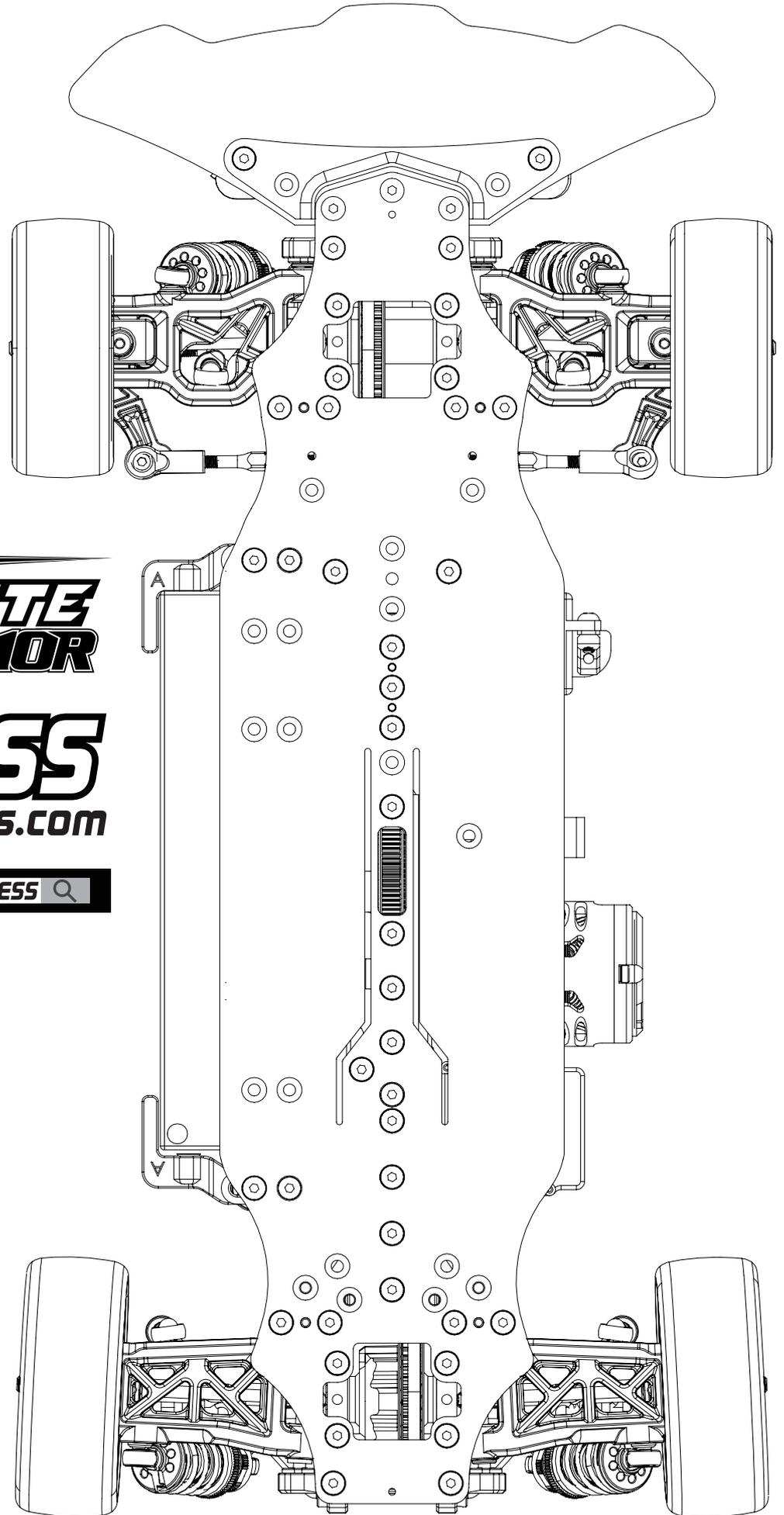
Front	Rear
Spring _____	_____
Oil _____	_____
Rebound _____	_____
Piston _____	_____
Length _____	_____
Foam Insert <input type="checkbox"/>	Foam Insert <input type="checkbox"/>
Hole In Cap <input type="checkbox"/>	Hole In Cap <input type="checkbox"/>

Transmission Setup

Front	Rear
Oil _____	_____
Weight _____ g	Weight _____ g
Position _____	Position _____

Others

Servo _____ Tires _____
 Esc _____ Additive _____
 Motor _____ Body _____
 Spur P/ T Rear Wing _____
 Pinon P/ T FDR _____



EXECUTE
1/10 COMPETITION TOURING CAR **XQ10R**

XPRESS
www.rc-xpress.com



RC XPRESS