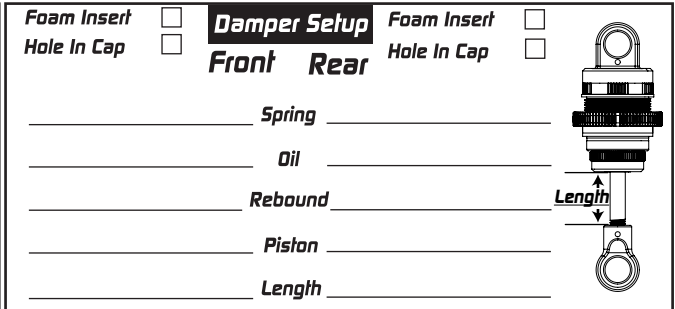
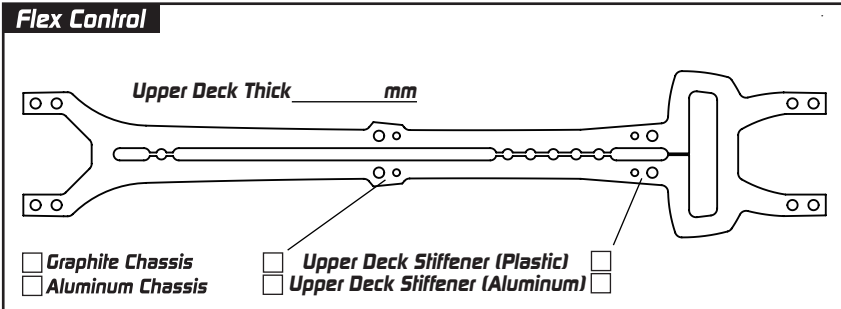
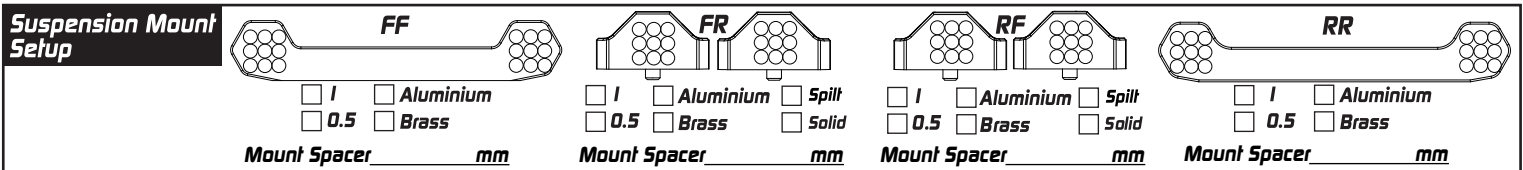
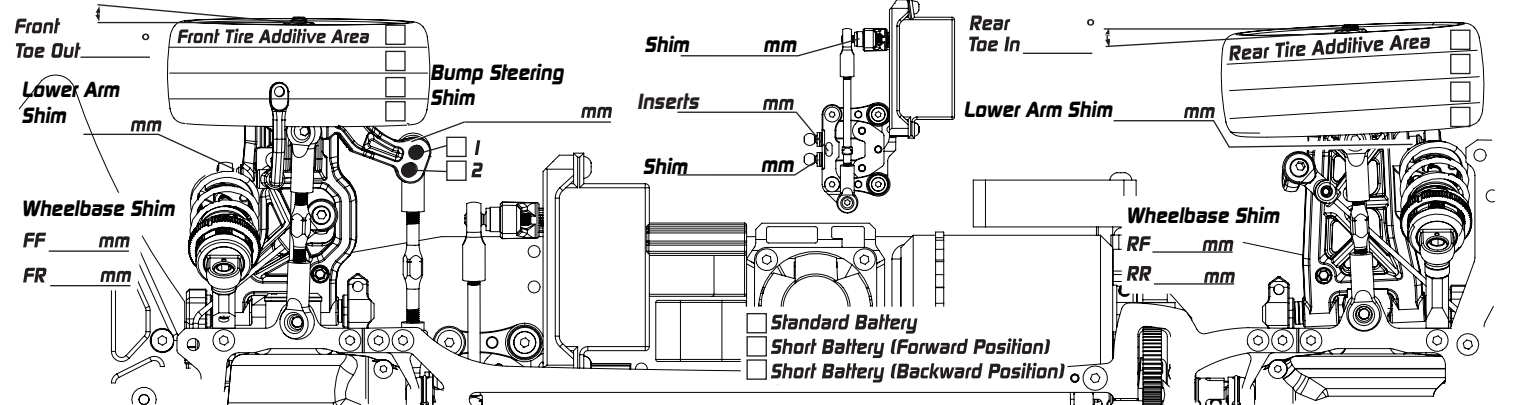
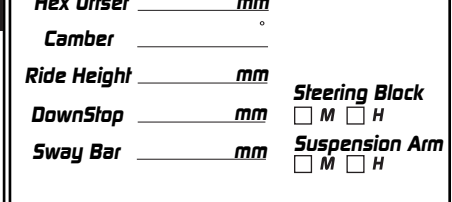
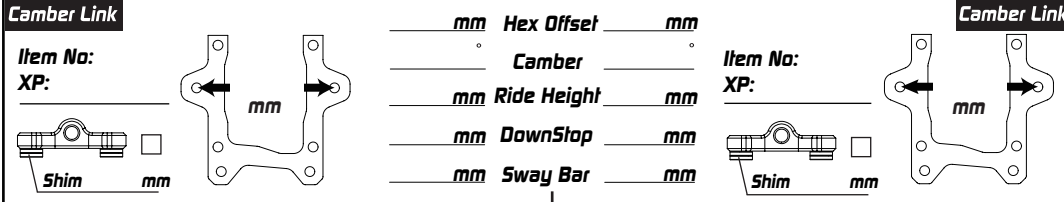
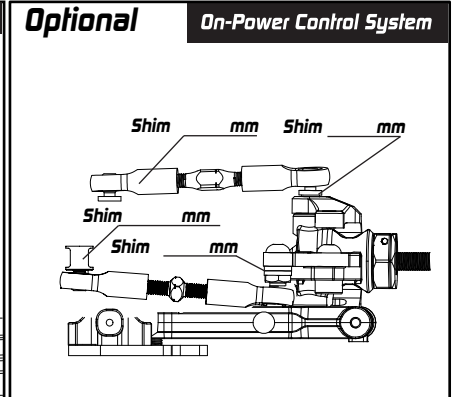
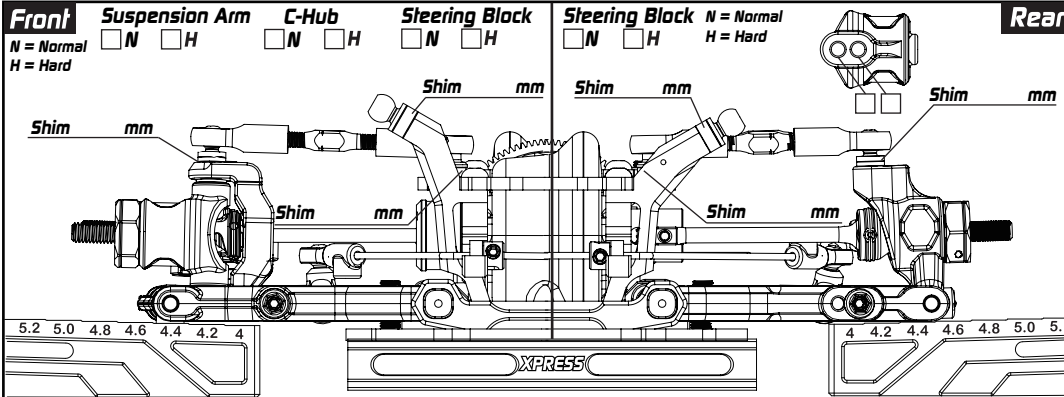


Driver _____ Track Surface _____ Track Temperature _____
 Date _____ Track Traction _____ Result _____ Air Temperature _____
 Track _____ Country _____ Best Lap _____ Humidity _____ Remark _____



Transmission Setup

Front _____ Rear _____

Diff. _____ / 9 Oil _____ / 9

Bevel Gear _____

Spur P/ T Pinon P/ T

Final Drive Ratio _____ : 1

Formula
Final Drive Ratio = $\left(\frac{\text{Spur Pinon}}{\text{Internal Ratio}} \times 2.353\right) : 1$

Others

Servo _____ Tires _____

Esc _____

Motor _____

Additive _____

Body _____

Rear Wing _____

Remark
