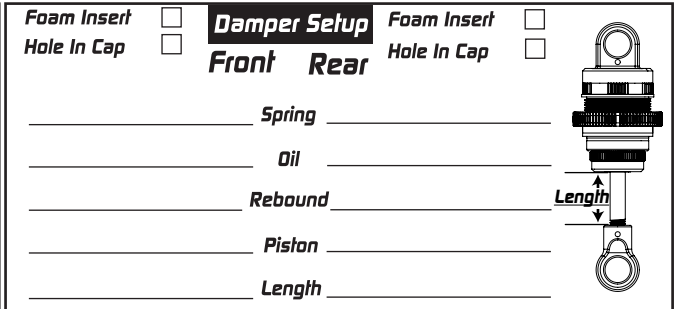
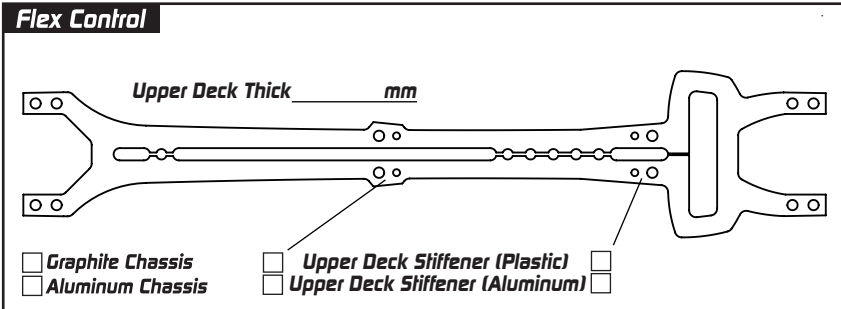
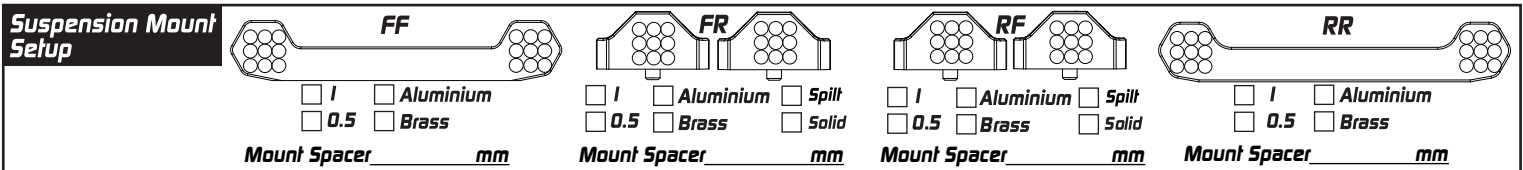
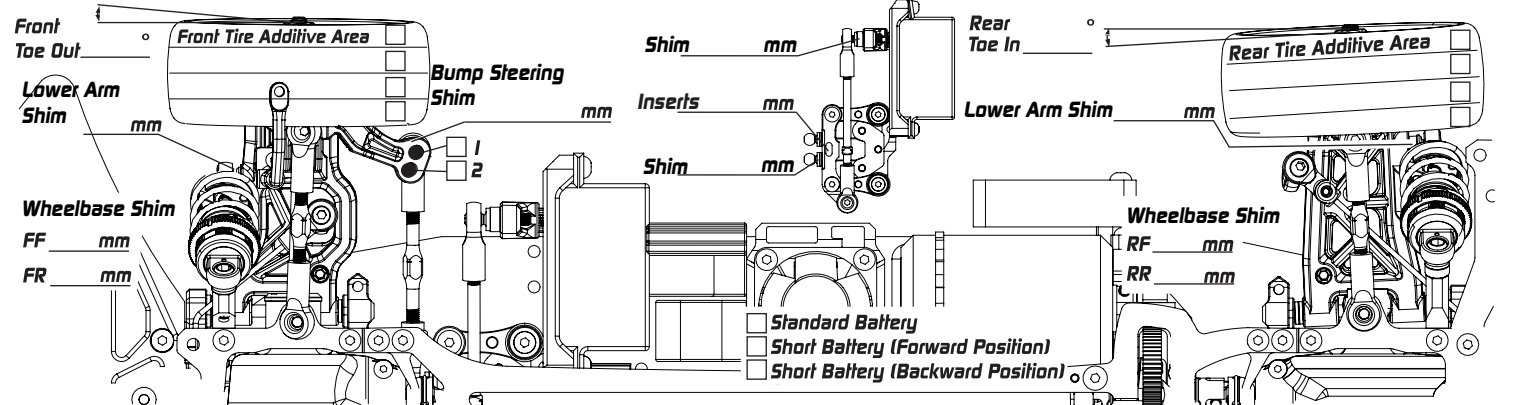
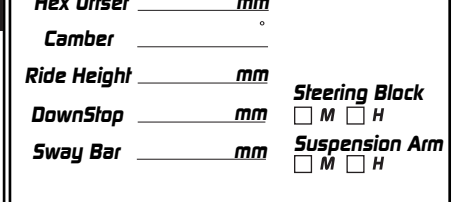
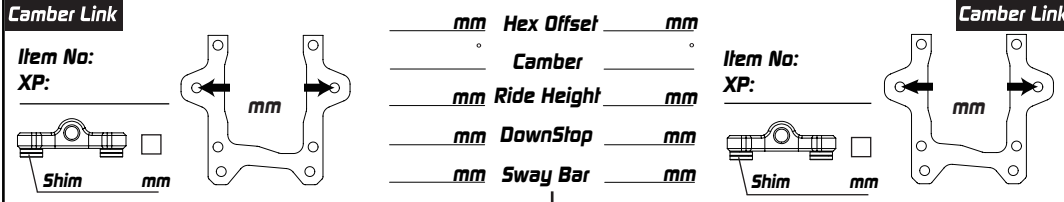
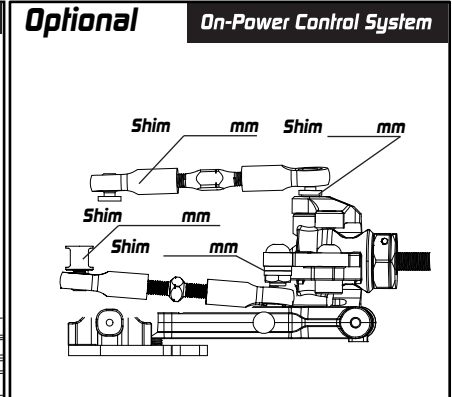
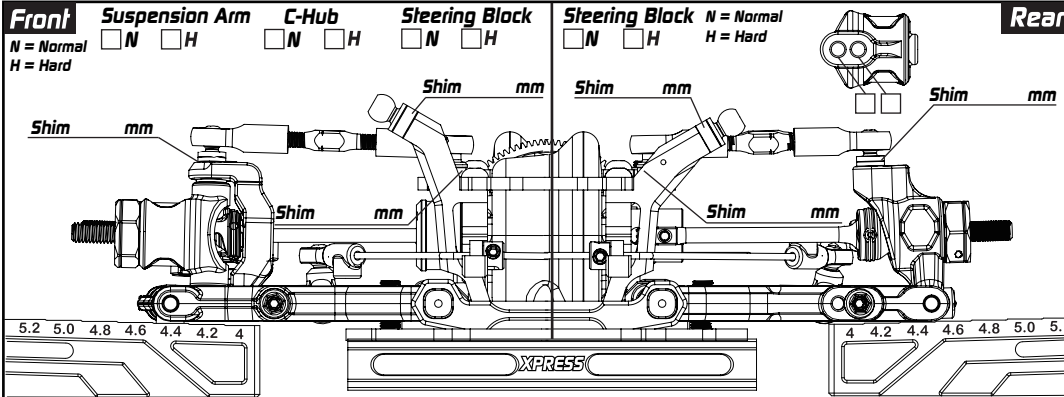


Driver _____ Track Surface _____ Track Temperature _____
 Date _____ Track Traction _____ Result _____ Air Temperature _____
 Track _____ Country _____ Best Lap _____ Humidity _____ Remark _____



Transmission Setup

Front Rear

Diff. / 9 Oil / 9

Bevel Gear _____

Spur P/ T Pinon P/ T

Final Drive Ratio : 1

Formula
Final Drive Ratio = (Spur Pinon x Internal Ratio) / 2.353 : 1

Others

Servo _____ Tires _____

Esc _____

Motor _____

Additive _____

Body _____

Rear Wing _____

Remark