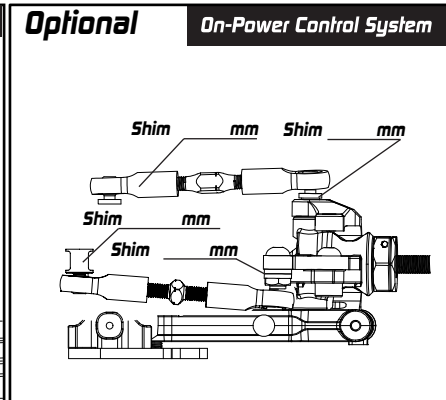
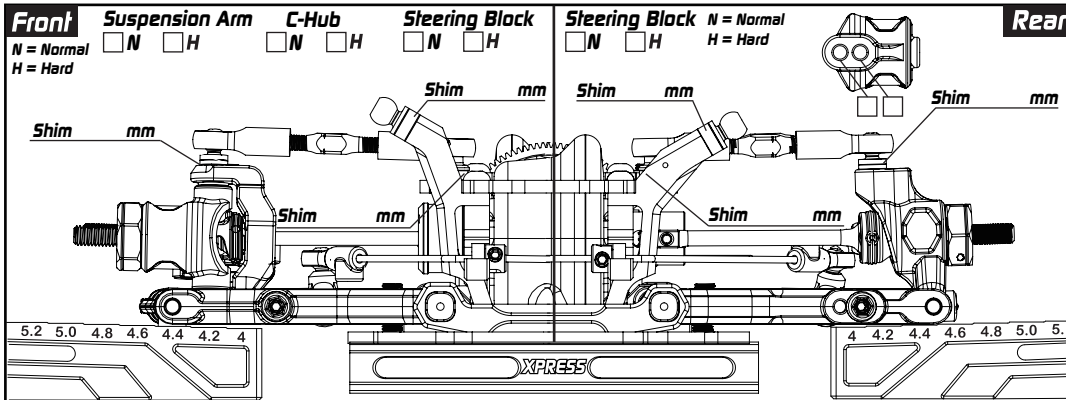


Driver _____ Track Surface _____ Track Temperature _____
 Date _____ Track Traction _____ Result _____ Air Temperature _____
 Track _____ Country _____ Best Lap _____ Humidity _____ Remark _____



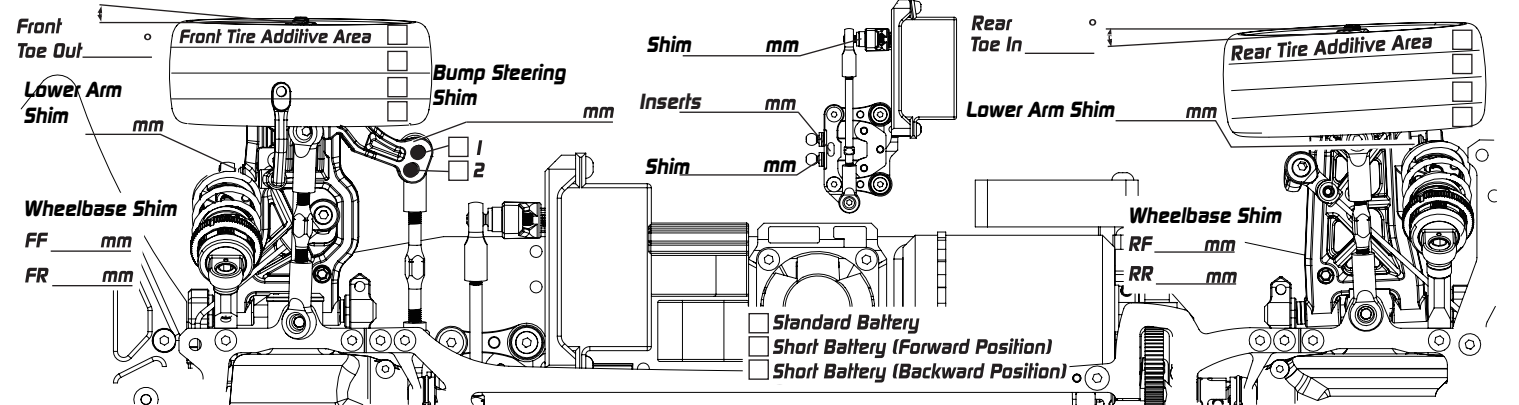
Camber Link mm Hex Offset mm **Camber Link**

Item No: _____ Camber _____
 XP: _____ mm Ride Height mm
 mm DownStop mm
 mm Sway Bar mm

Shim mm Shim mm

Hex Offset _____ mm
 Camber _____
 Ride Height _____ mm
 DownStop _____ mm
 Sway Bar _____ mm

Steering Block
 M H
Suspension Arm
 M H



Suspension Mount Setup

FF 1 Aluminium 0.5 Brass Mount Spacer mm

FR 1 Aluminium 0.5 Brass Spill Solid Mount Spacer mm

RF 1 Aluminium 0.5 Brass Spill Solid Mount Spacer mm

RR 1 Aluminium 0.5 Brass Mount Spacer mm

Flex Control

Upper Deck Thick _____ mm

Graphite Chassis Aluminum Chassis
 Upper Deck Stiffener (Plastic) Upper Deck Stiffener (Aluminum)

Damper Setup

Foam Insert Hole In Cap **Front** **Rear**

Spring _____
 Oil _____
 Rebound _____
 Piston _____
 Length _____

Transmission Setup

Front _____ Rear _____
 Diff. _____ / 9 Oil _____ / 9
 Bevel Gear _____
 Spur P/ T Pinon P/ T
 Final Drive Ratio _____ : 1

Formula
 Final Drive Ratio = $\left(\frac{\text{Spur Pinon}}{\text{Internal Ratio}} \times 2.353\right) : 1$

Others

Servo _____ Tires _____
 Esc _____
 Motor _____
 Additive _____
 Body _____
 Rear Wing _____

Remark