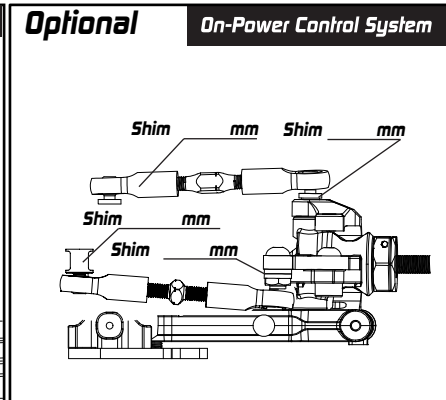
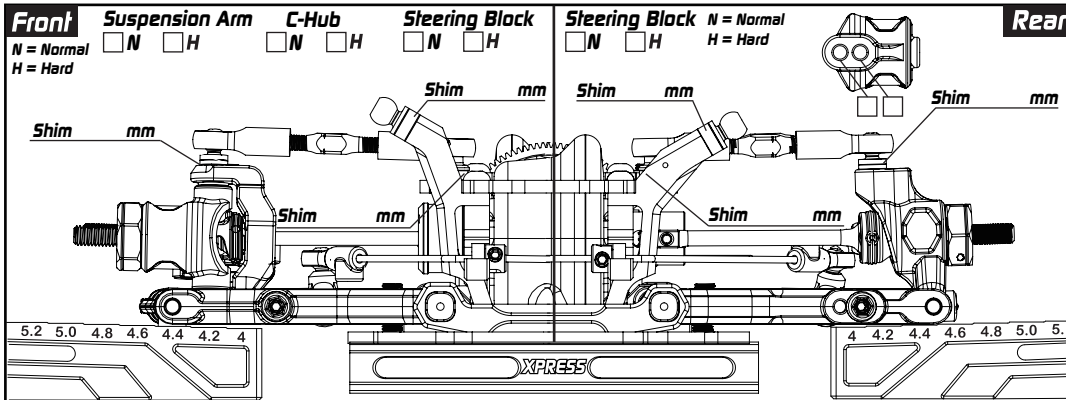


Driver _____ Track Surface _____ Track Temperature _____
 Date _____ Track Traction _____ Result _____ Air Temperature _____
 Track _____ Country _____ Best Lap _____ Humidity _____ Remark _____



Camber Link mm Hex Offset mm Camber Link

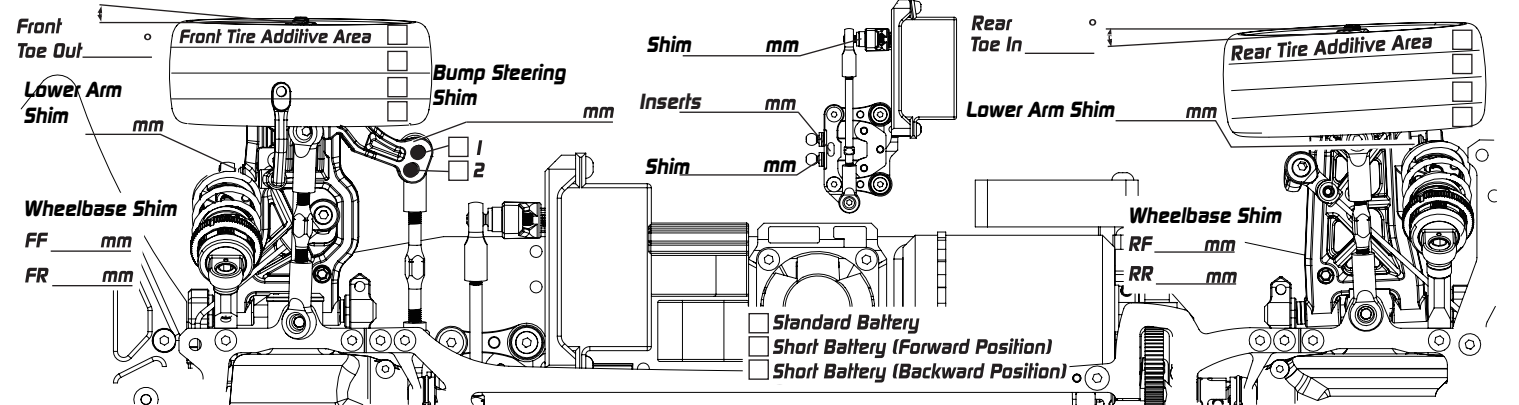
Item No: XP: mm mm Item No: XP: mm mm

Shim mm Shim mm

mm Ride Height mm
 mm DownStop mm
 mm Sway Bar mm

Hex Offset mm
 Camber mm
 Ride Height mm
 DownStop mm
 Sway Bar mm

Steering Block M H
 Suspension Arm M H



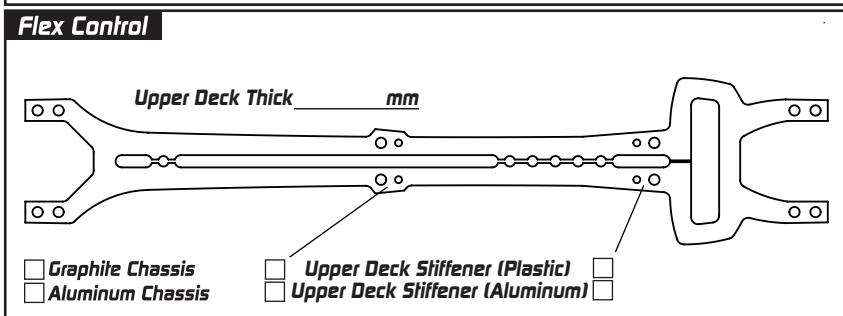
Suspension Mount Setup

FF 1 Aluminium 0.5 Brass Mount Spacer mm

FR 1 Aluminium 0.5 Brass Spill Solid Mount Spacer mm

RF 1 Aluminium 0.5 Brass Spill Solid Mount Spacer mm

RR 1 Aluminium 0.5 Brass Mount Spacer mm



Damper Setup

Foam Insert Hole In Cap Front Rear

Spring _____
 Oil _____
 Rebound _____
 Piston _____
 Length _____

Transmission Setup

Front Rear

Diff. / 9 Oil / 9

Bevel Gear _____
 Spur P/ T Pinon P/ T

Final Drive Ratio : 1

Formula
 Final Drive Ratio = $\left(\frac{\text{Spur Pinon}}{\text{Internal Ratio}} \times 2.353\right) : 1$

Others

Servo _____ Tires _____
 Esc _____
 Motor _____
 Additive _____
 Body _____
 Rear Wing _____

Remark