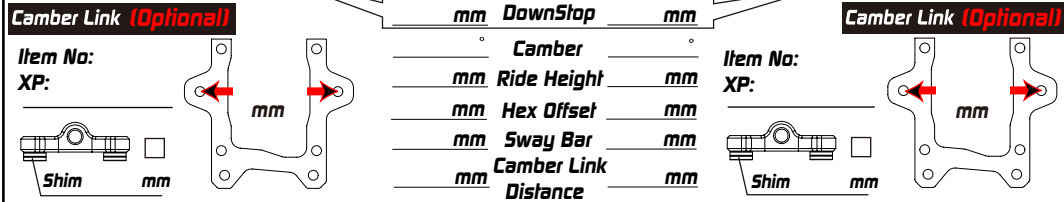
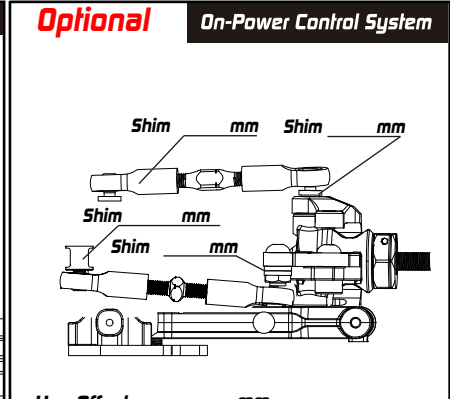
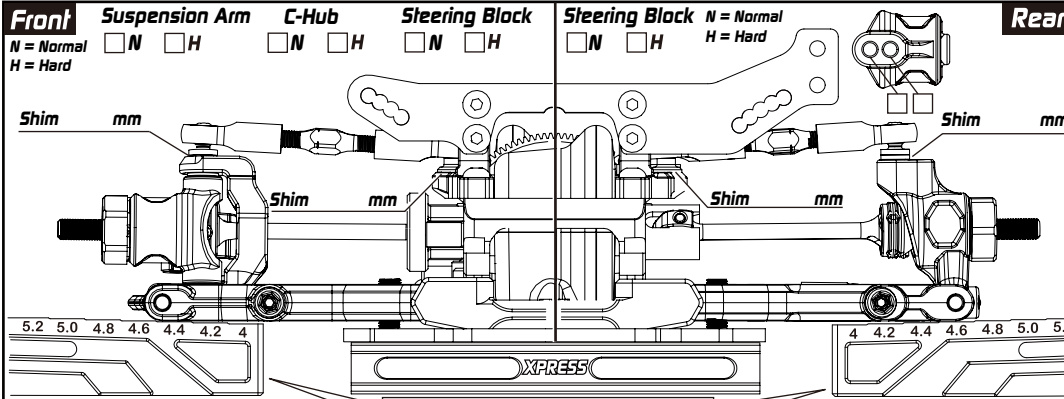
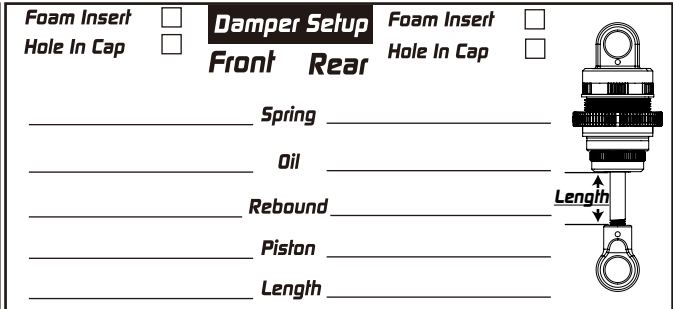
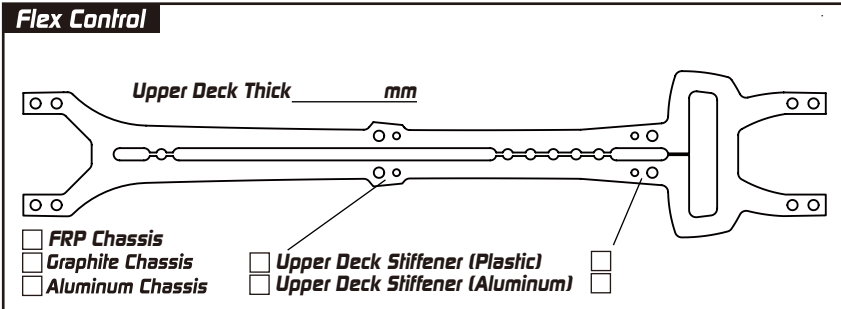
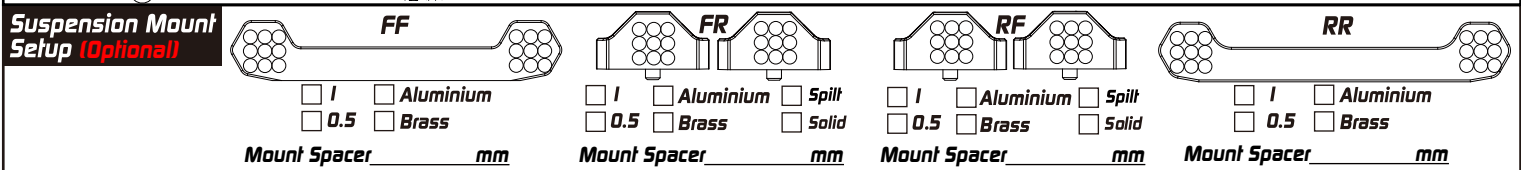
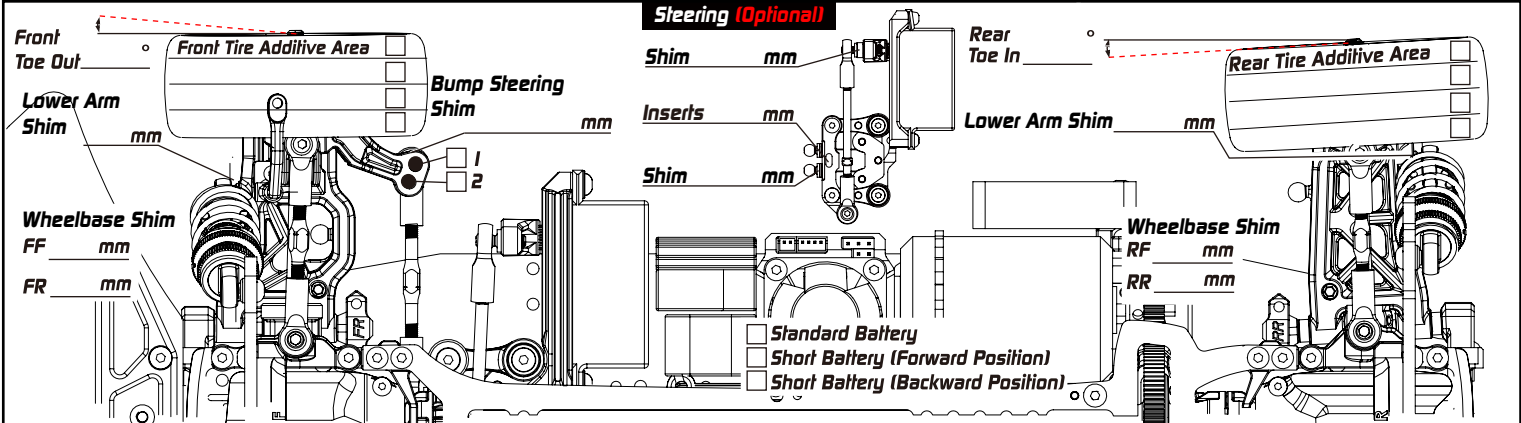


Driver _____ Track Surface Indoor / Outdoor / Asphalt / Carpet Track Temperature _____
 Date _____ Track Traction _____ Result _____ Air Temperature _____
 Track _____ Country _____ Best Lap _____ Humidity _____ Remark _____



Hex Offset _____ mm
 Camber _____ mm
 Ride Height _____ mm
 DownStop _____ mm
 Sway Bar _____ mm

Steering Block M H
 Suspension Arm M H



Transmission Setup

Front _____ Rear _____
 Diff. _____
 / 9 Oil _____ / 9

Bevel Gear _____
 Spur P/ T Pinon P/ T

Final Drive Ratio _____ : 1

Formula
 Final Drive Ratio = $\left(\frac{\text{Spur Pinon} \times \text{Internal Ratio}}{2.353}\right) : 1$

Others

Servo _____ Tires _____
 Esc _____
 Motor _____
 Additive _____
 Body _____
 Rear Wing _____

Remark