

TRACK CONDITION	
COMPOSITION	
<input type="checkbox"/> CARPET	<input type="checkbox"/> ASPHALT
TRACTION	
<input type="checkbox"/> LOW	<input type="checkbox"/> MEDIUM <input type="checkbox"/> HIGH
ENVIRONMENT	
<input type="checkbox"/> INDOOR	<input type="checkbox"/> OUTDOOR
LAYOUT	
<input type="checkbox"/> OPEN	<input type="checkbox"/> MIXED <input type="checkbox"/> TIGHT
SURFACE	
<input type="checkbox"/> BUMPY	<input type="checkbox"/> SMOOTH

DRIVE RATIO	
PINION	SPUR

GEAR DIFFERENTIAL	
OIL	

TYRES	
FRONT	
REAR	
ADDITIVE	
ADDITIVE TIME - FR	RR
WARMER - FR	RR

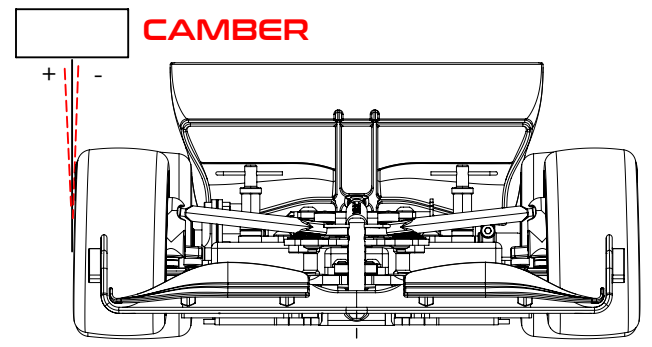
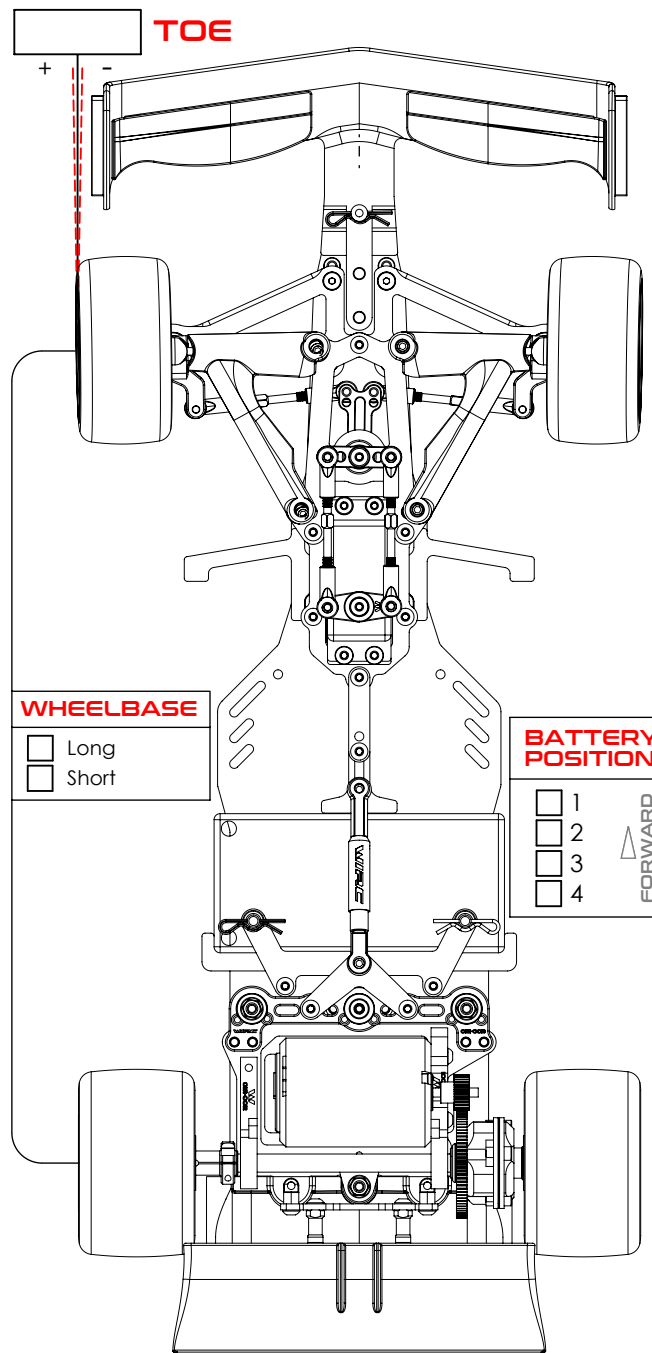
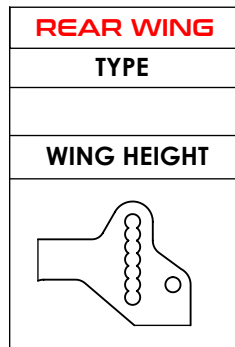
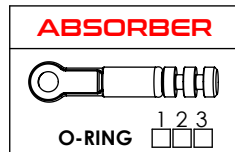
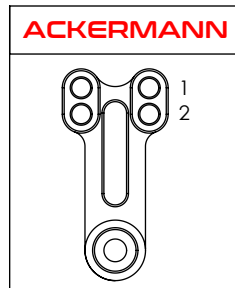
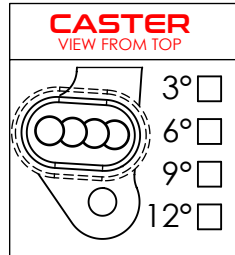
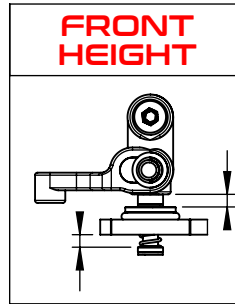
TRACK WIDTH	
FRONT	
REAR	

SPRINGS		
FRONT	SIDE	DAMPER

REAR AXLE HEIGHT						
-3 MM.	-2 MM.	-1 MM.	0 MM.	+1 MM.	+2 MM.	+3 MM.

AERODYNAMICS	
BODY	
FRONT WING TYPE	
FRONT FLAP POS.	

ELECTRONICS	
MOTOR	
BATTERY	
ESC	THROTTLE
ESC SETTING	BRAKE
SERVO	STEERING



APRO

**NOTES/OPTIONALS**