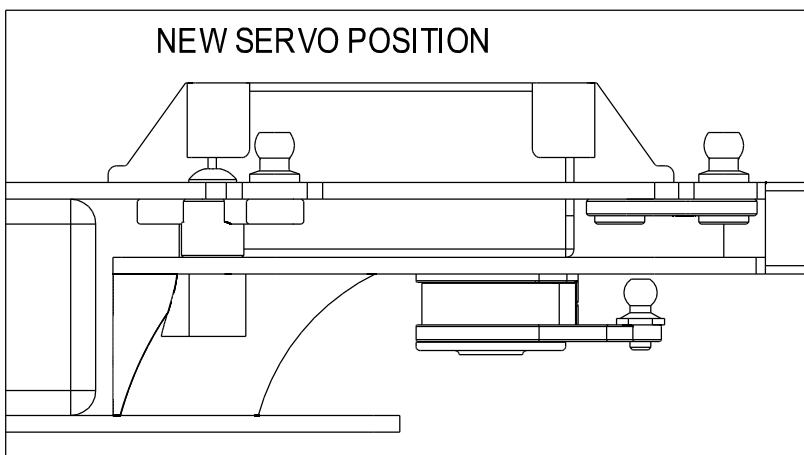
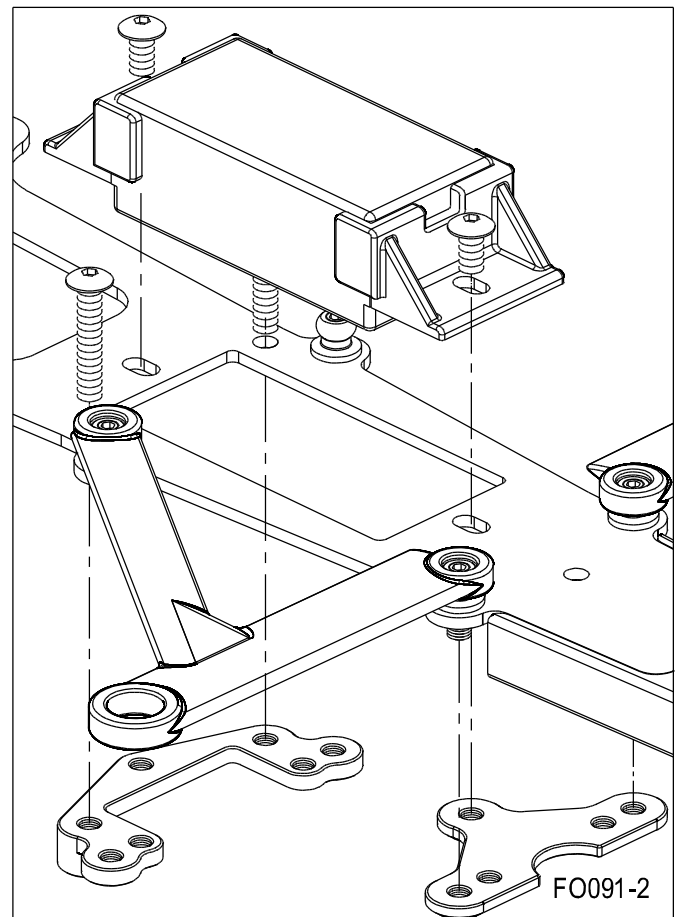
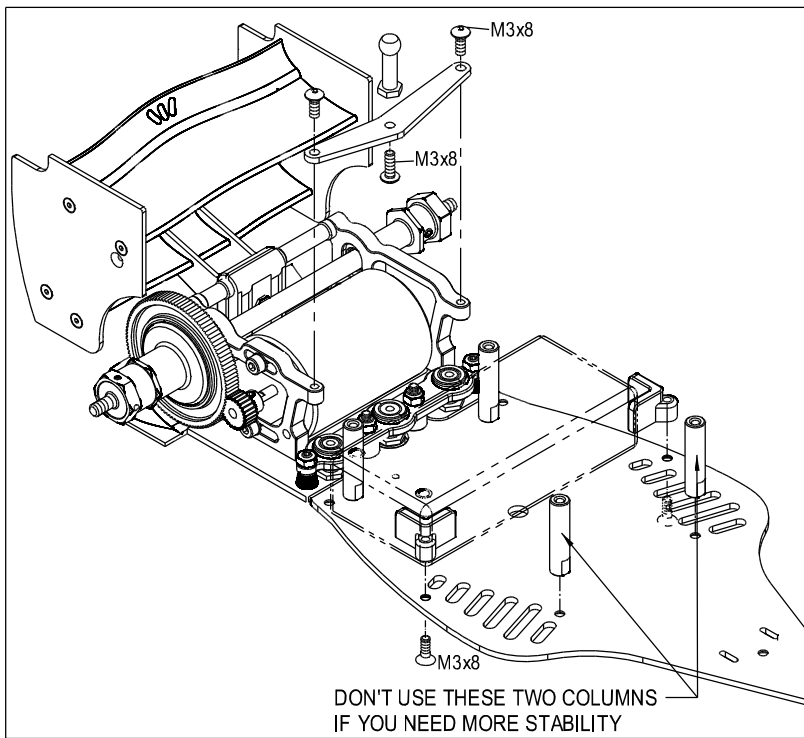
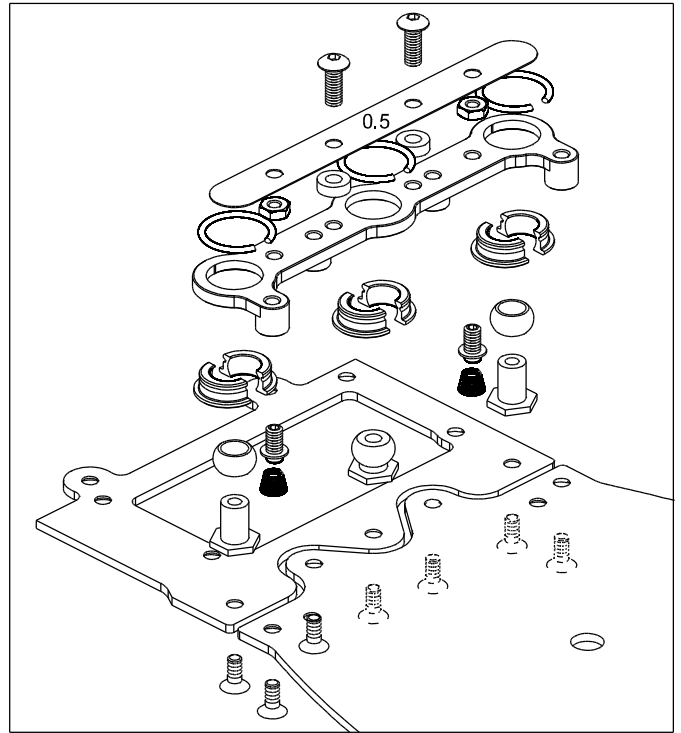
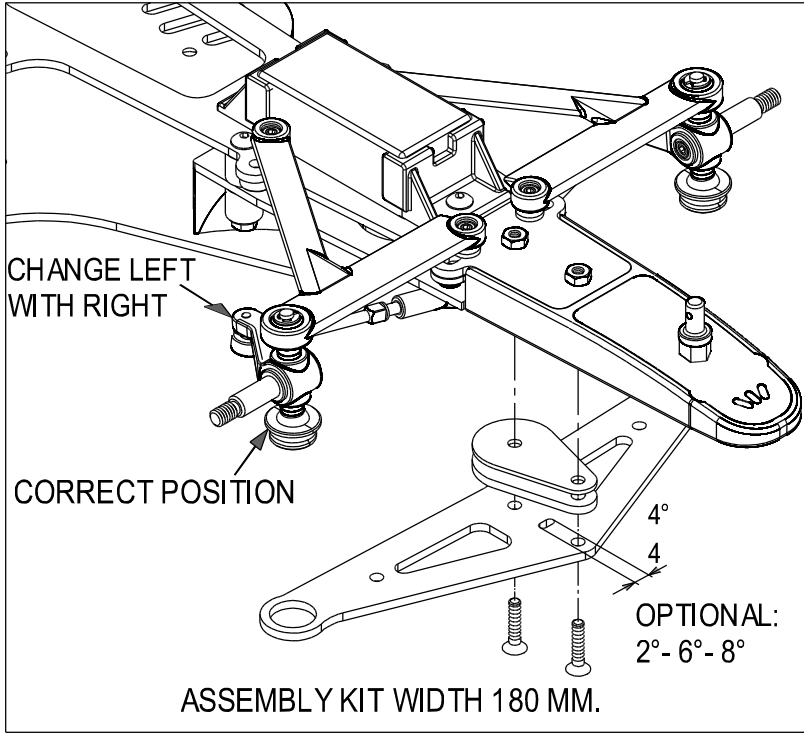


UPDATING



STANDARD:

FO091-2 Camber adjustment plate 2°

OPTIONAL:

FO091-0 Camber adjustment plate 0°

FO091-1 Camber adjustment plate 1°

FO091-3 Camber adjustment plate 3°

F-ONE 180