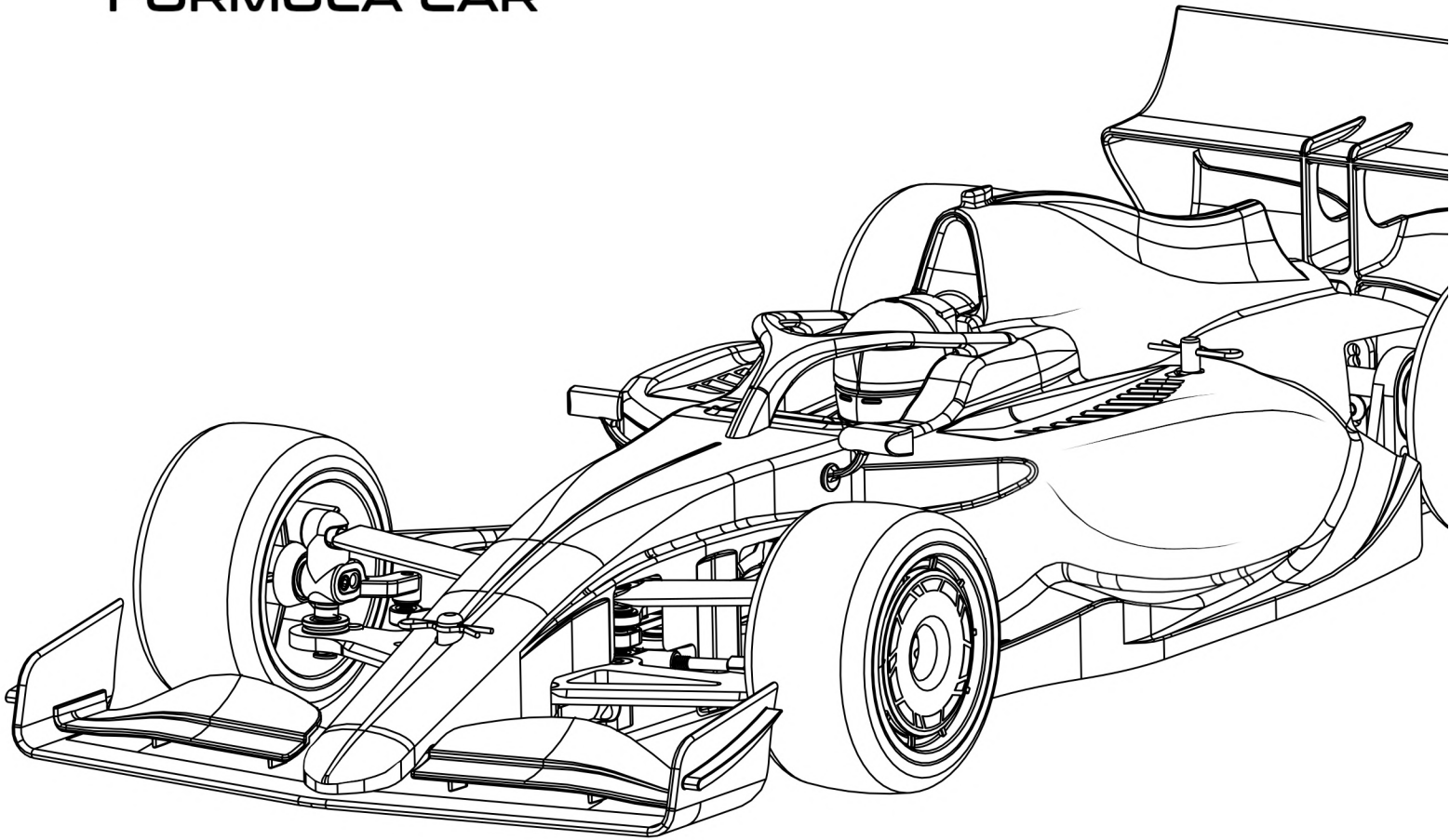


F26

NEW GENERATION RC CAR

**1/10 SCALE ELECTRIC
FORMULA CAR**



INSTRUCTION MANUAL

WIRC
PROFESSIONAL RC CAR

WWW.WIRCACING.COM



INTRODUCTION

F26 is a new generation high quality 1/10 scale formula car.
F26 is supplied in a box equipped with Instruction Manual.
Its use is intended for more than 16 years old persons with experience on rc model car field.
Children and all the persons without this requirement **MUST** have direct supervision of a knowledgeable adult responsible.

SAFETY PRECAUTIONS

Instruction Manual **MUST** be read and fully understood before to start building and operating functions.
Always keep Instruction Manual in safety place, ready to be consulted for any reference you need.
Use only original WIRC spare parts.

GENERAL INFORMATION

Assemble the kit only away from the reach of children.
Follow the building and operating instructions using the utmost care.
Don't put any part of your body inside rotating and moving elements as this may cause damage or serious injury.
Check and clean the model before putting it away.
Don't use your model car in public places or in roads and areas where it could generate conflict with person or vehicular traffic.
The model car is controlled by radio: you **MUST** put great care to avoid loss of radio control always keeping a safety margin all around your model in order to prevent any collision.
Operating frequency: check and be sure it is clear and not shared with anybody at same time; it could cause loss of control of the RC model.
Always turn on your transmitter before you turn on the receiver in the car and always turn off the receiver before you turn off your transmitter.
Keep the wheels of the model off the ground when checking the operation of the radio equipment.
Disconnect the battery pack before storing your model.

WARRANTY

WIRC guarantees this model kit to be free from defects in both material and workmanship within 30 days of purchase.
The total monetary value under warranty will in no case exceed the cost of the original kit purchased.
This warranty doesn't cover any components damaged by use or modification or as result of wear.
Part or parts missing from this kit must be reported within 30 days of purchase.
No part or parts will be sent under warranty without proof of purchase.
If you find a defective or missing part, contact the local distributor.
Customer service and support will be provided through local hobby store.
No warranties are expressed or implied that cover damage caused by what is considered normal use or cover or imply how long any model cars' components or electric components will last before requiring replacement.
Due to the high performance level of this model car you will need to periodically maintain and replace consumable components; any and all warranty coverage will not cover replacement of any part or component damaged by neglect, abuse or improper or unreasonable use.
This includes but is not limited to damage from crashing, excessive moisture, improper use or no maintenance or user modifications which compromise the integrity of components.
Warranty will not cover components that are considered consumable on RC model car.
WIRC doesn't pay nor refund on any component sent from WIRC or its distributor for warranty.
WIRC reserves the right to make final determination of the warranty status of any component or part
Use only original WIRC spare part:

CUSTOMER SUPPORT

Please don't hesitate to contact WIRC support at info@wircracing.com for any problem or question.
Also kindly visit our website www.wircracing.com to find last updates, set-up information, option parts and other information.

World racing car s.r.l.
Via A.Volta 2BIS
36040 Brendola (VI)
ITALY

Phone: 0039 0444 1792263

E-mail: info@wircracing.com
Website: www.wircracing.com



TECHNICAL INFORMATION

- TRANSMISSION: RWD
- GEAR DIFFERENTIAL
- BODY: LEXAN FORMULA MODEL
- ADJUSTABLE FRONT TOE, CAMBER AND CASTER
- ADJUSTABLE HEIGHT
- CARBON CHASSIS 2.5mm
- FULL BALL BEARING

TECHNICAL DATA

- LENGHT418 MM.
- WIDTH190 MM.
- ADJUSTABLE WHEEL BASE269-265MM.
- WEIGHT.....1080 GR.

ADDITIONAL ITEMS NEEDED FOR COMPLETION REQUIRED BUT NOT INCLUDED IN THE KIT



ELECTRIC MOTOR
PINION GEAR



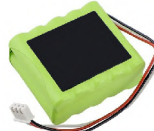
TRANSMITTER



RECEIVER



LOW PROFILE STEERING SERVO



BATTERIES
FOR TRANSMITTER



WHEEL - TYRES - INSERTS



LIPO BATTERY



SPEED CONTROLLER

TOOLS REQUIRED

THESE TOOLS ARE NOT INCLUDED IN THE KIT BUT ARE REQUIRED FOR PROPER ASSEMBLY



ALLEN:
1.5mm, 2 mm, 2.5 mm, 3mm



SOCKET:
5mm, 7mm



SIDE CUTTERS



COMBINATION PLIERS



SCISSORS



TURNBUCKLES, NUTS TOOL



GREASE

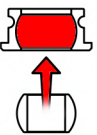


OILS:
BEARING OIL
SILICONE OIL

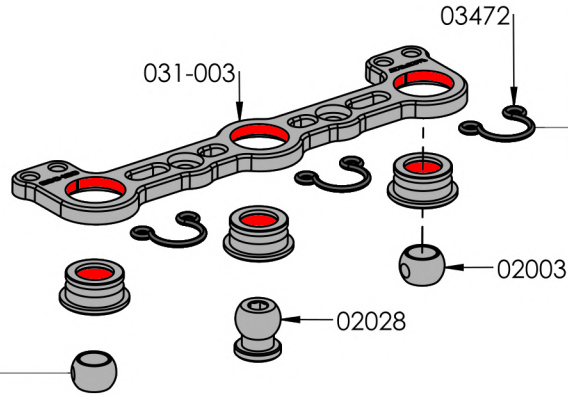
NOTICE:

THE FOLLOWING ITEMS ARE NEEDED FOR COMPLETION OF THE LM16; THEY ARE NOT INCLUDED IN THIS KIT (UNLESS NOTED) AND SHOULD BE OBTAINED FROM YOUR LOCAL HOBBY SHOP. BE SURE TO READ THE INSTRUCTION COMPLETELY PRIOR TO ASSEMBLY

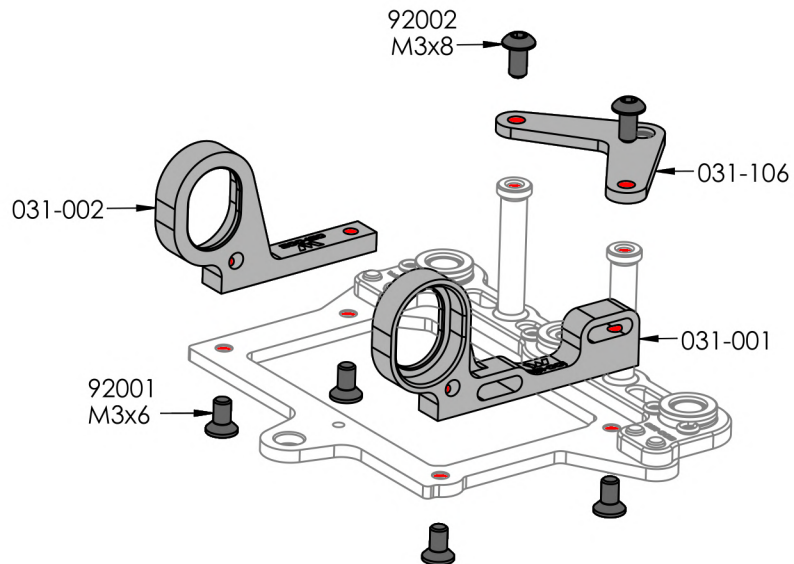
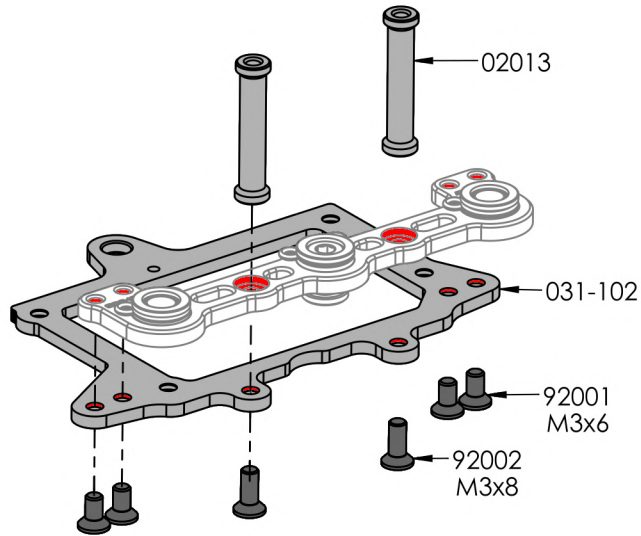
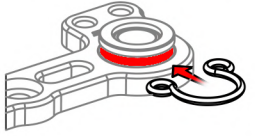
SLIGHTLY **HEAT UP**
BUSHINGS BEFORE
MOUNTING SPHERES

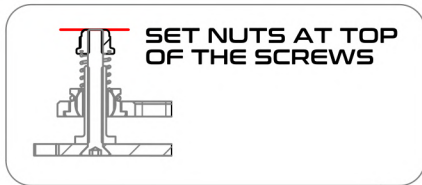
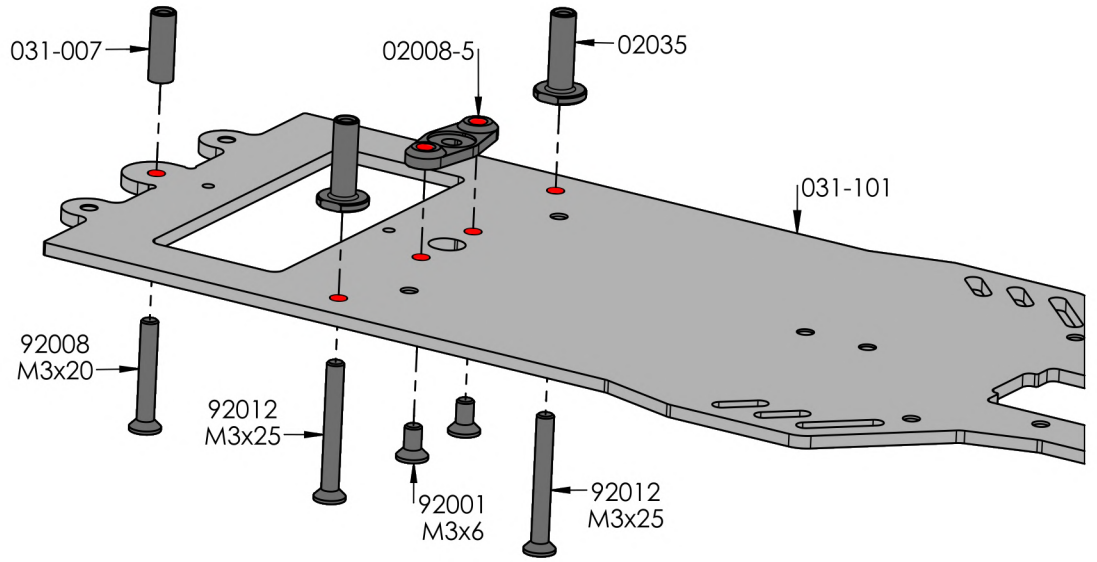


PRESS THE SPHERE
IN THE BUSHING



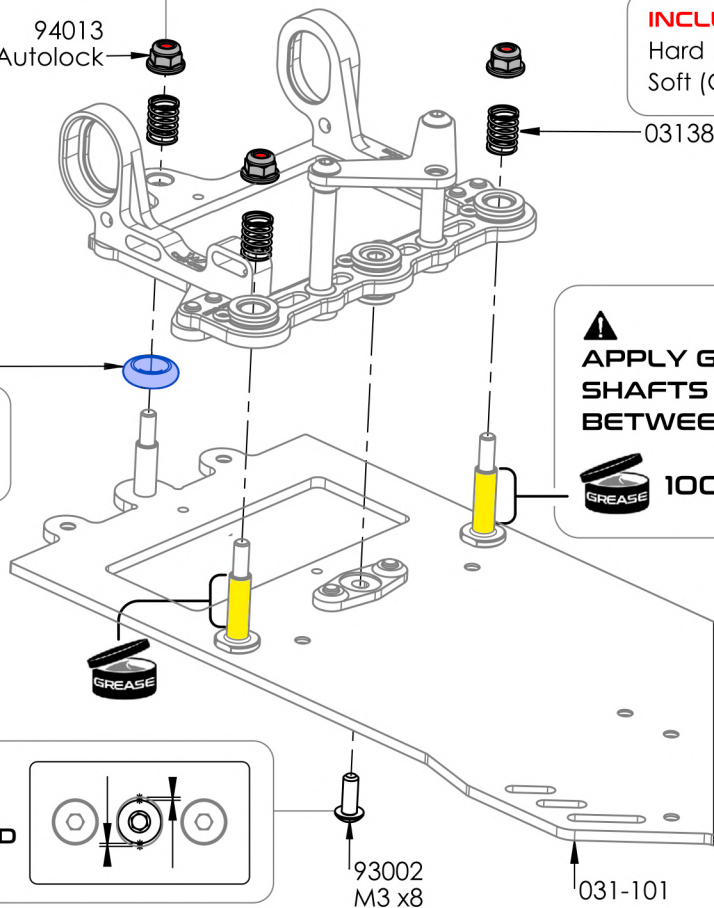
INSERT CLIP
ON THE BUSHING



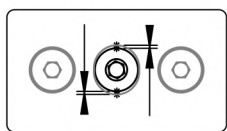


94013 M3 Autolock

INCLUDED
Hard (Black)
Soft (Gold)

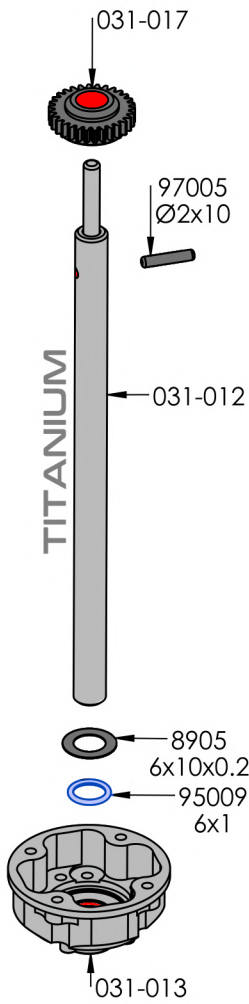


ADJUST PLAY OF THE REAR POD

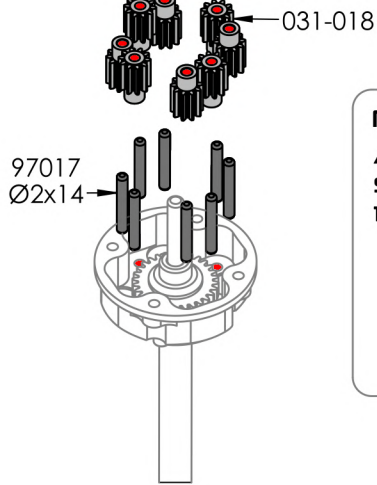


Rear Gear Differential

1

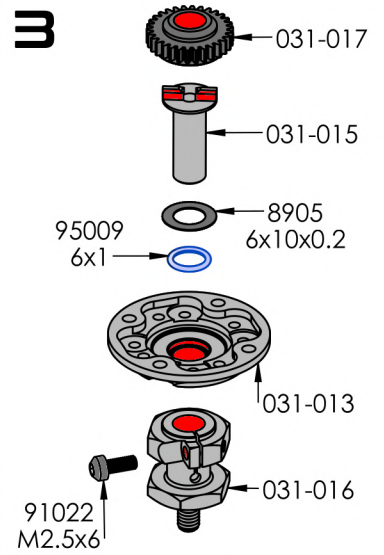


2



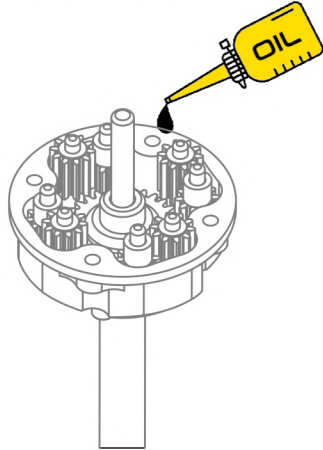
NOTE ORIENTATION
ALTERNATE GEARS
SIDE, 1 FACING UP AND
1 DOWN.

3

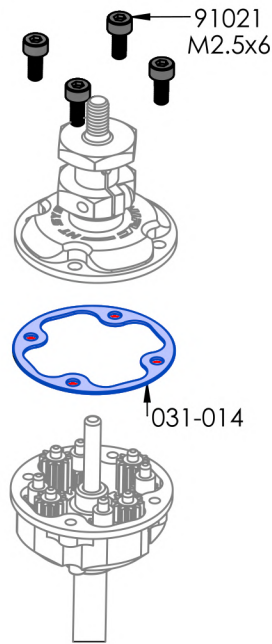


4

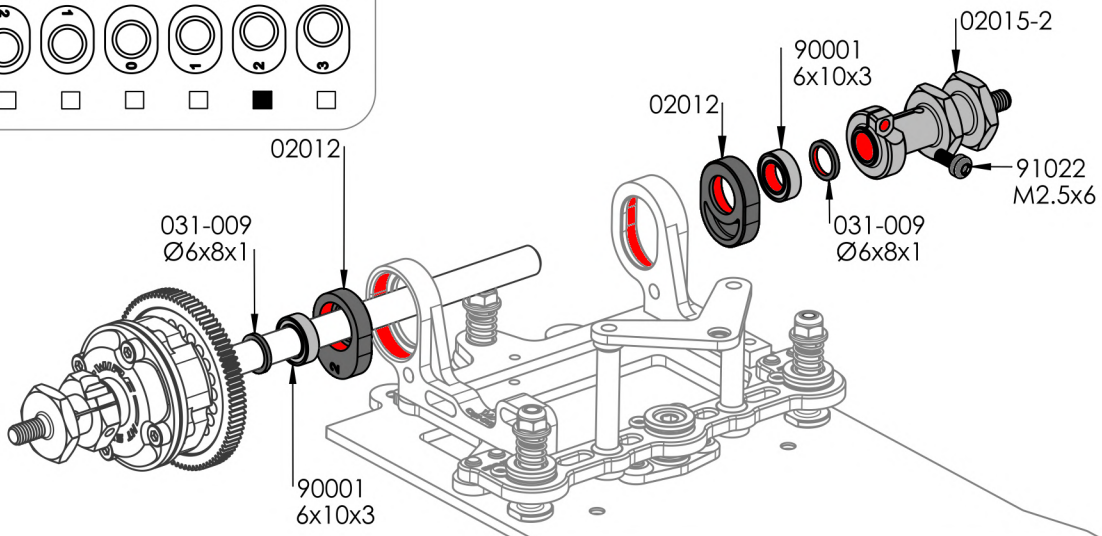
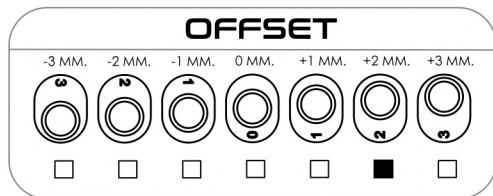
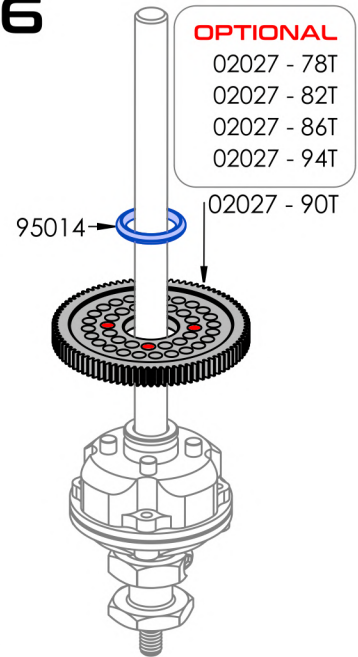
DIFFERENTIAL OIL:
Type: 300 cst
Weight: 1,5g

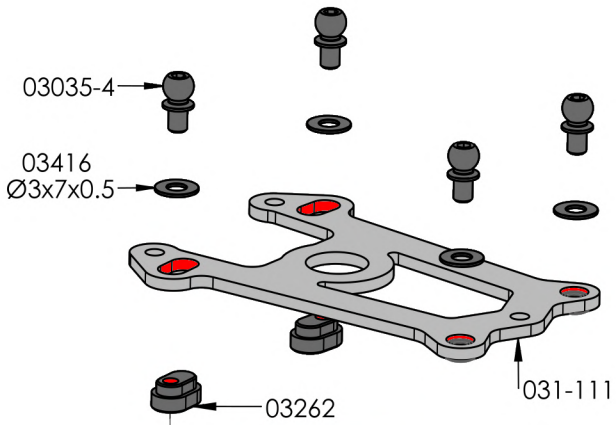


5



6





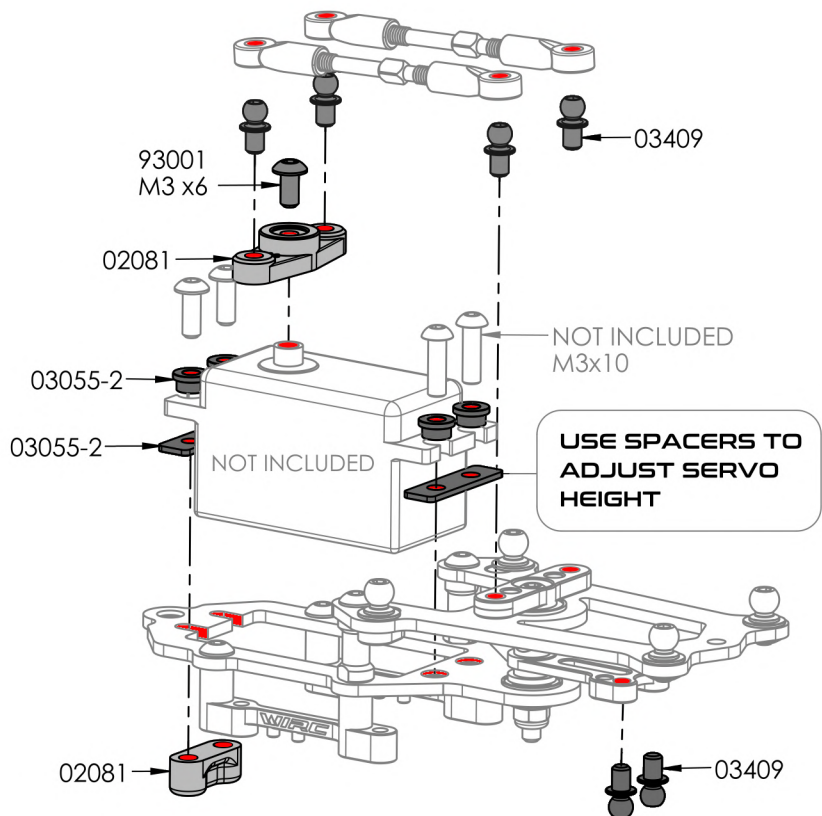
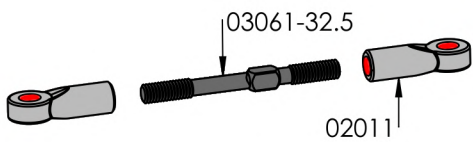
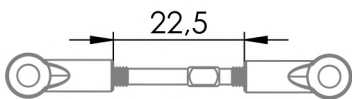
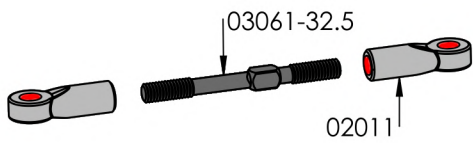
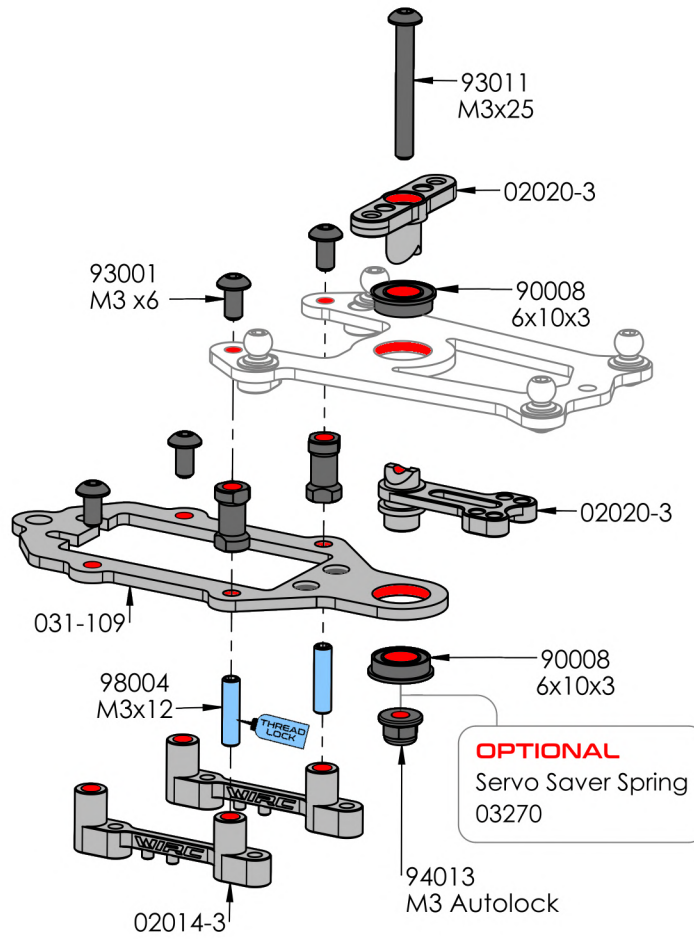
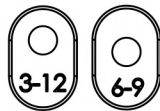
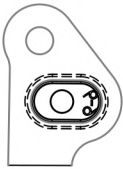
OPTIONAL
03262-1 (ALU 7075 T6)

CASTER BUSHINGS

INITIAL SETTING: 9°

IN KIT

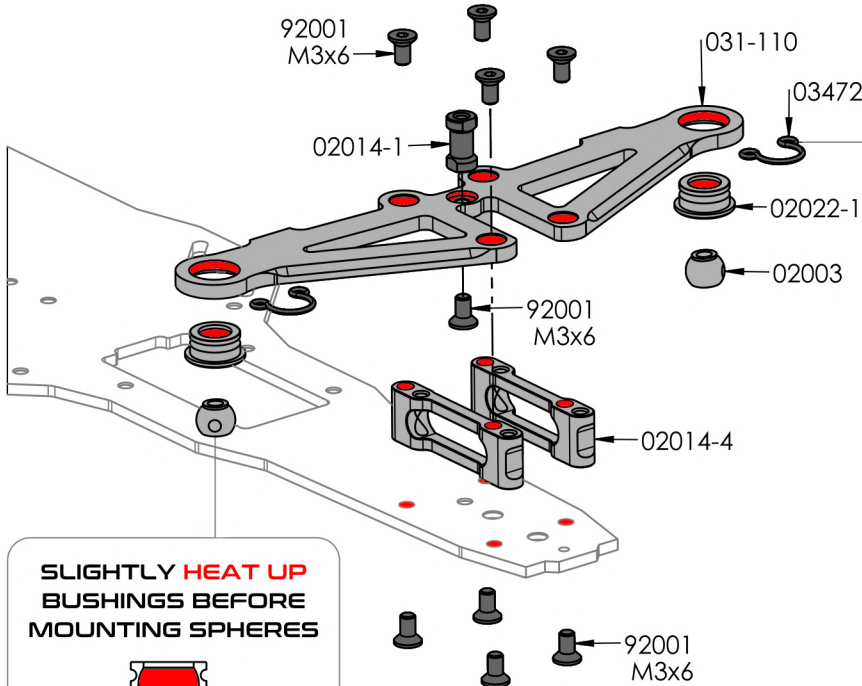
TOP VIEW



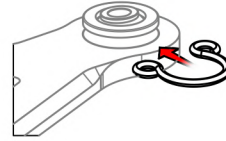
F26

Front Assembly

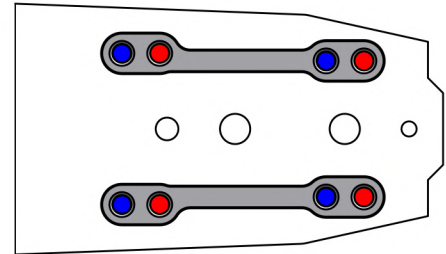
BAG 5



INSERT CLIP ON THE BUSHING



This part is not symmetric, make sure it's oriented properly.



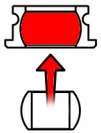
Fit the carbon arm on the **Rear Holes (Blue)**.

Use the lower holes to move the support longitudinally and change wheelbase setting:

RED - Short wheelbase, better turning but less stability.

BLUE - Long wheelbase, more stable but less rotation.

SLIGHTLY HEAT UP BUSHINGS BEFORE MOUNTING SPHERES



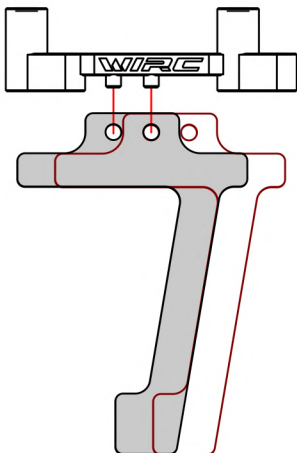
PRESS THE SPHERE IN THE BUSHING



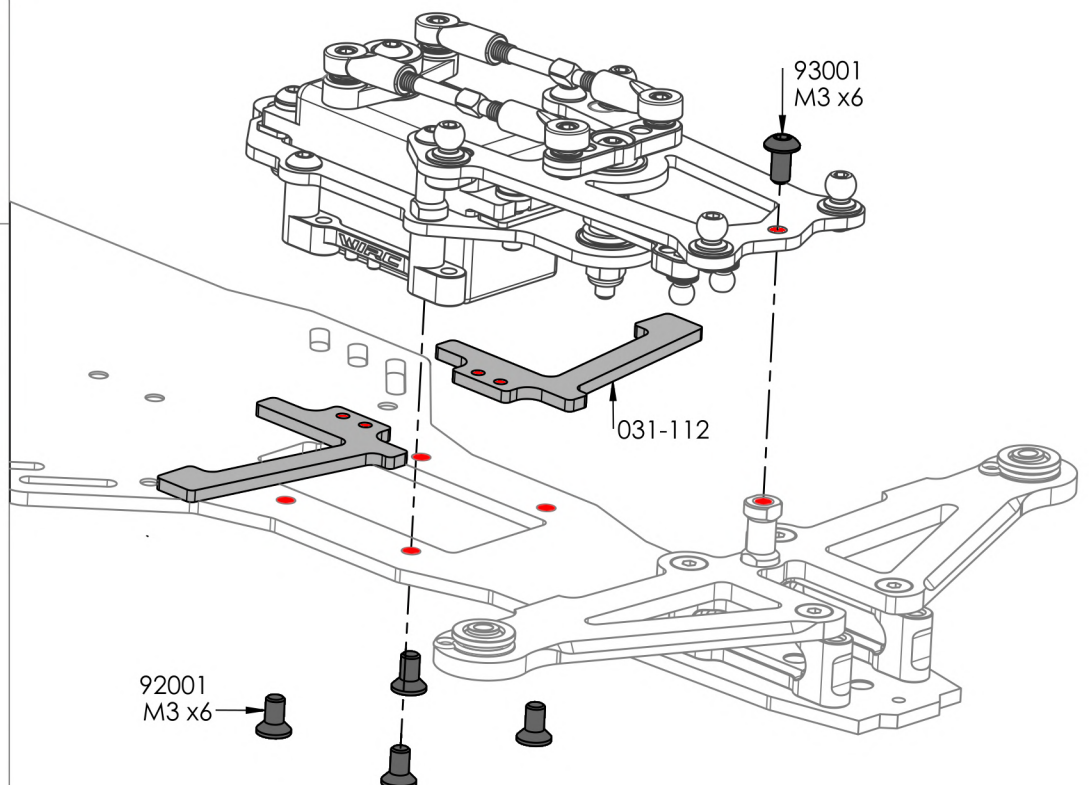
Adjust position based on front arm position (pag. 3).

RED - Short wheelbase

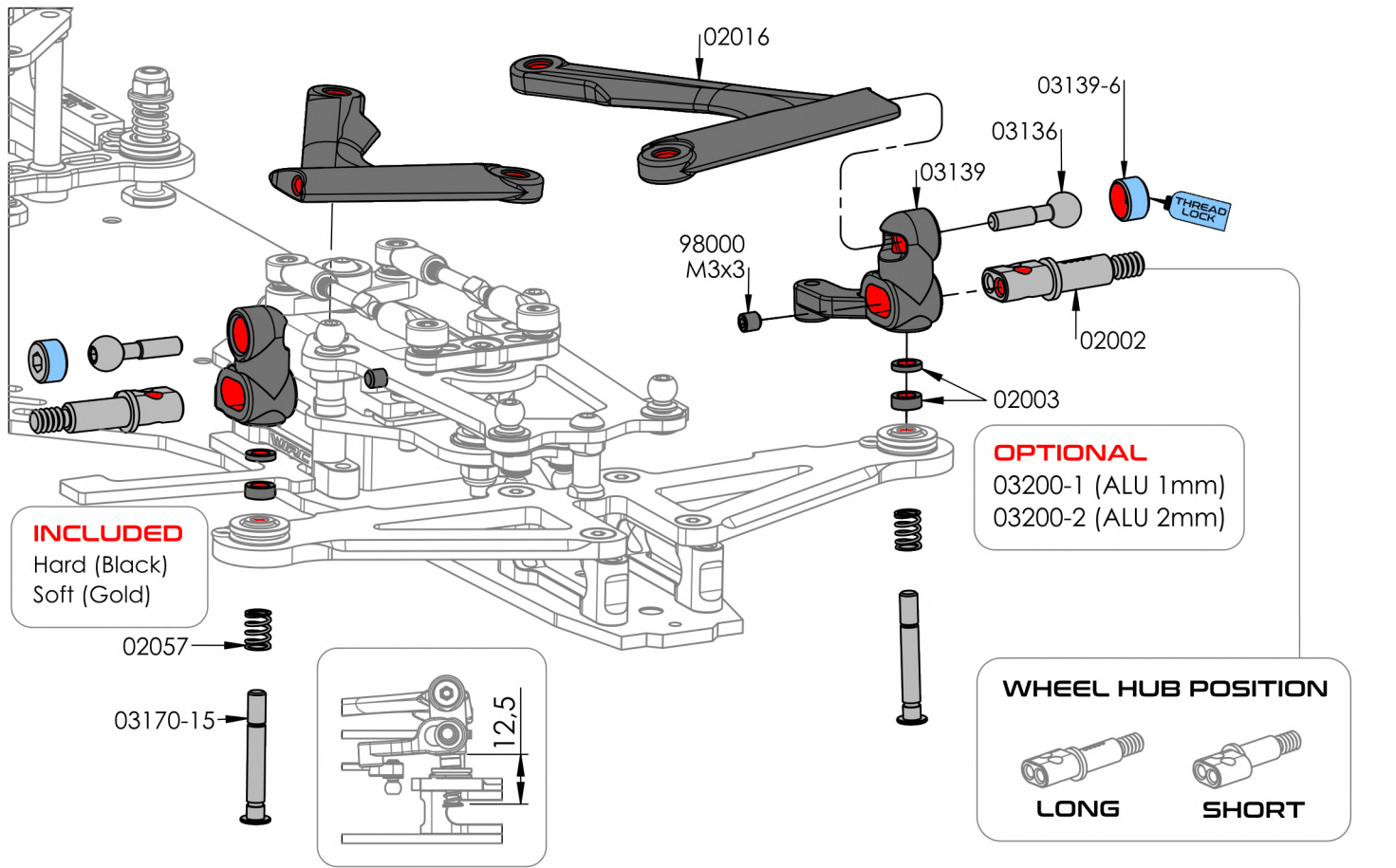
BLUE - Long wheelbase



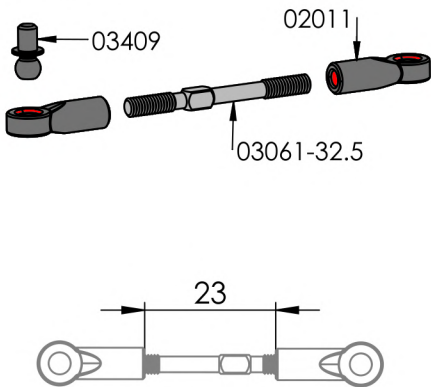
Adjust position based on length of car/wheelbase setting.



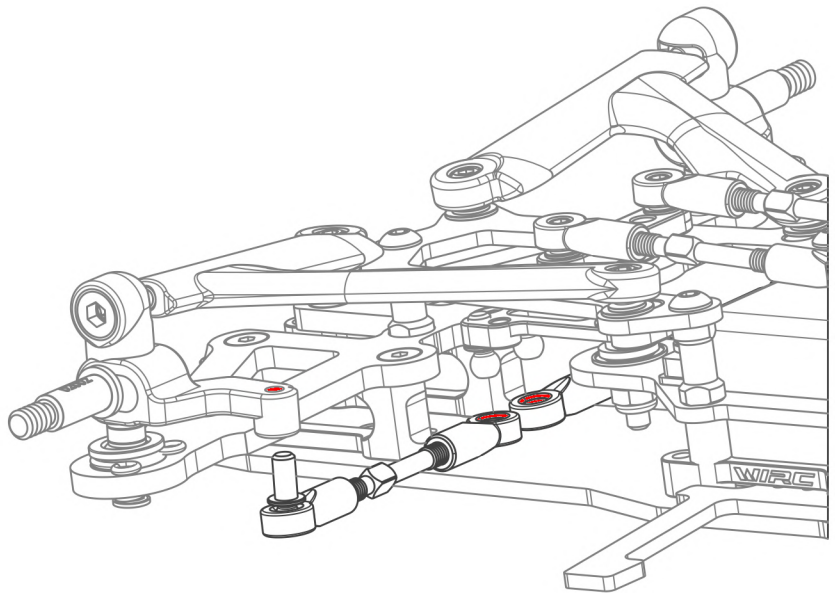
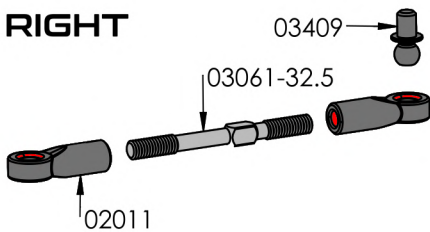
Front Suspension



LEFT

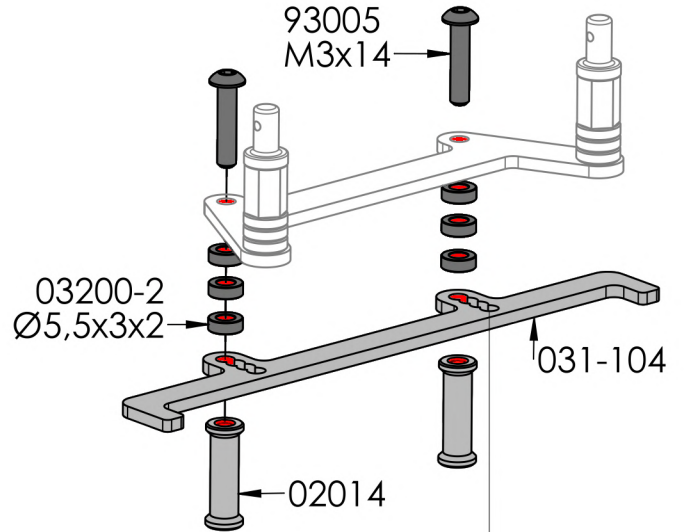
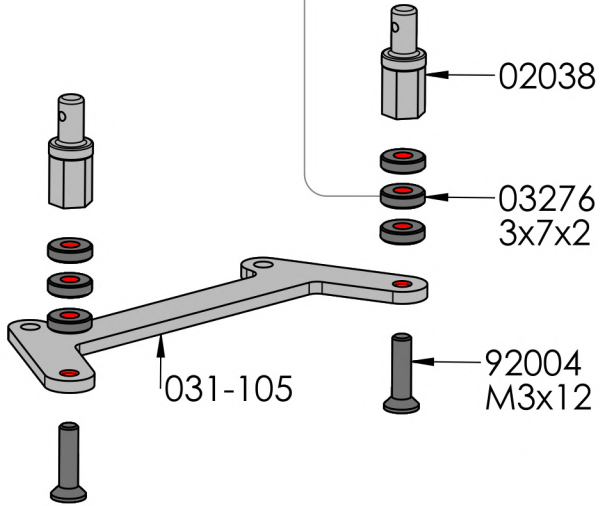


RIGHT



Battery & Body Support

CHANGE BODY SUPPORT
HEIGHT WITH SHIMS



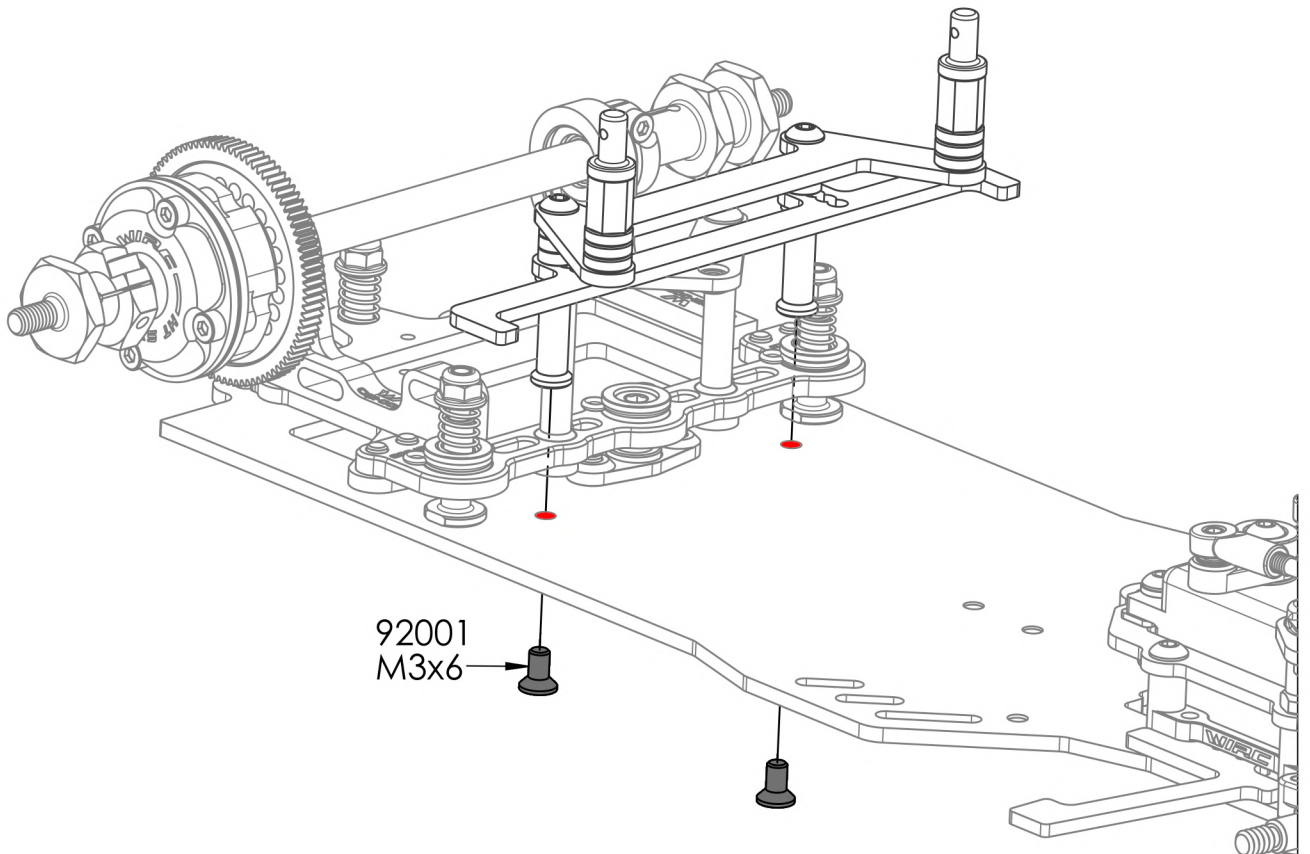
BATTERY POSITION

Forward:

BETTER REAR STABILITY, MORE UNDERSTEER.
(Recommended initial setting)

Backwards:

LESS REAR STABILITY, BETTER TURNING.

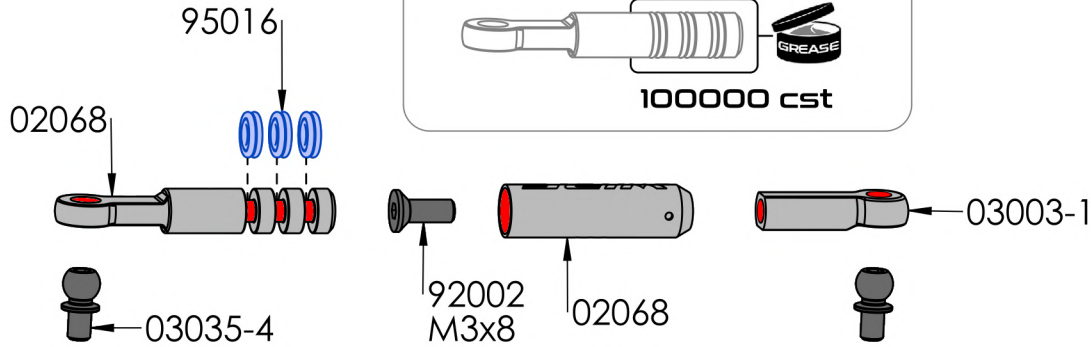
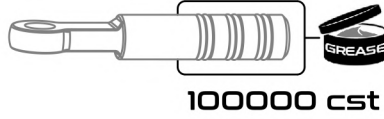


F26

Shock Absorber

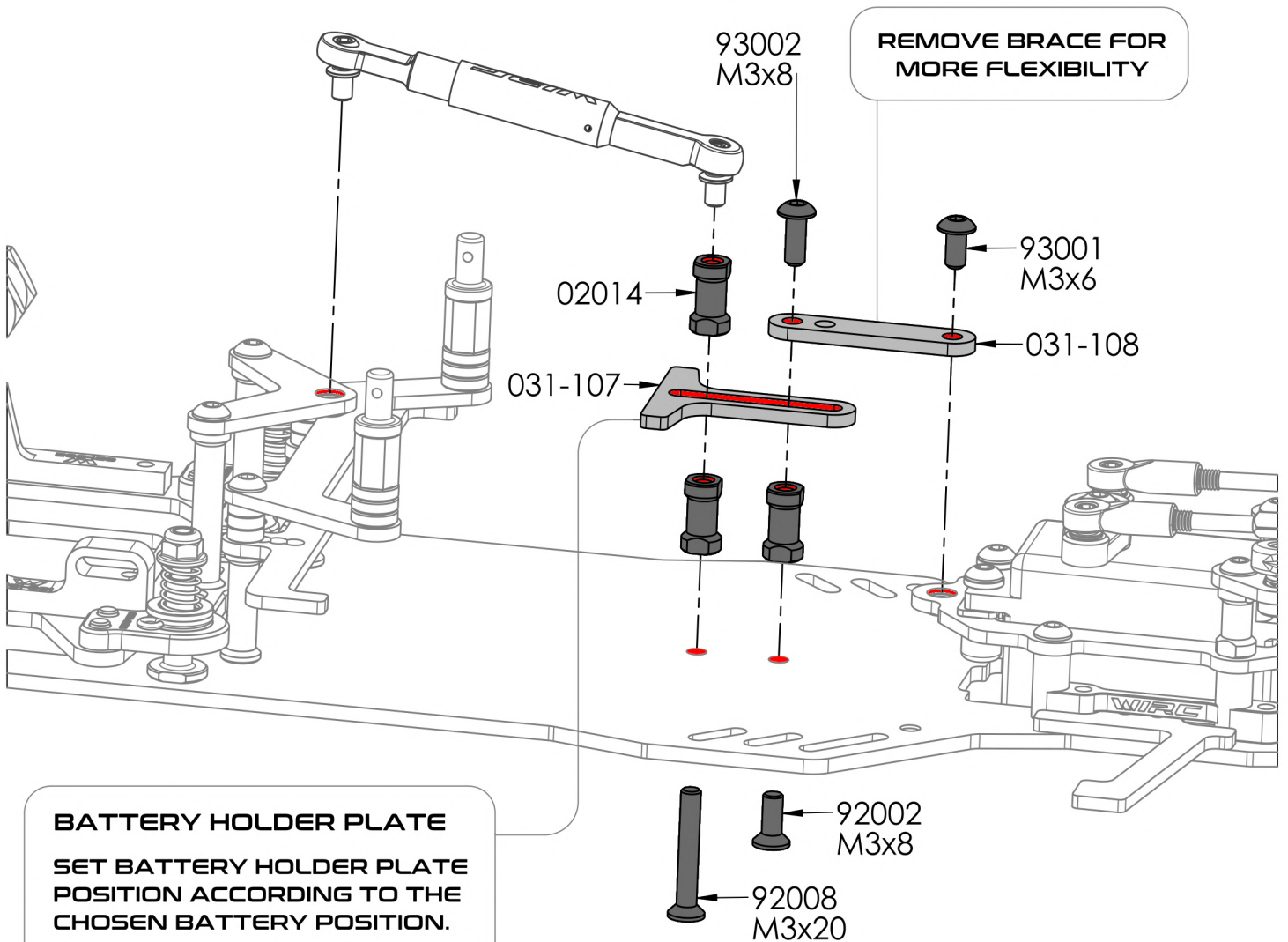
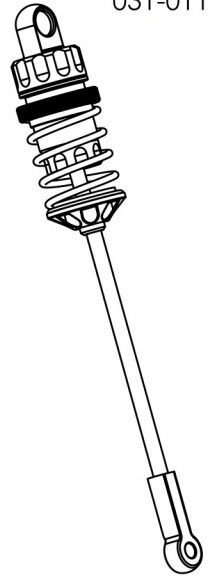
BAG 8

▲ APPLY GREASE AROUND THE PISTON AND ORINGS TO CREATE FRICTION BETWEEN PISTON AND SHOCK BODY



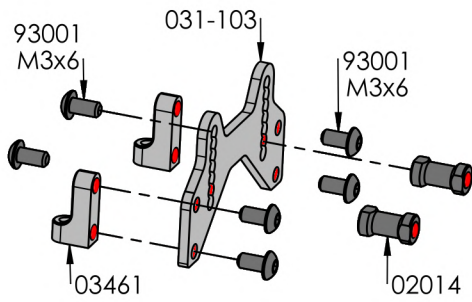
OPTIONAL

031-011

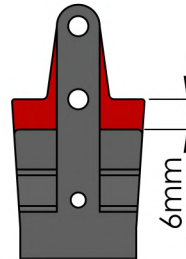
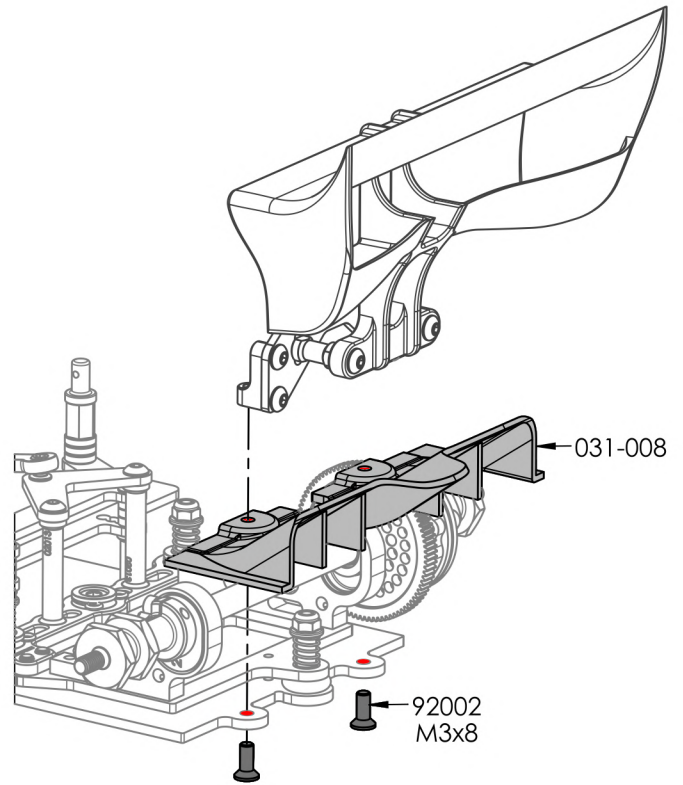
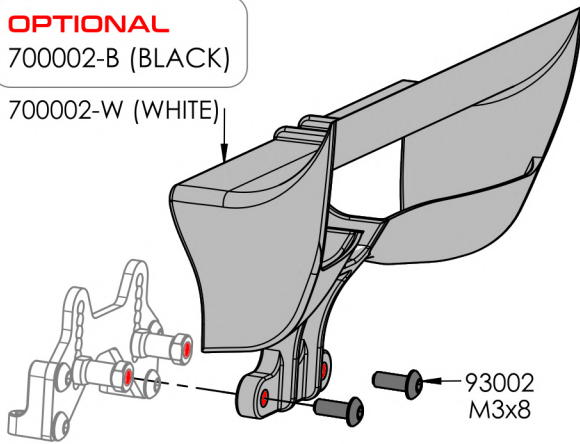


BATTERY HOLDER PLATE
 SET BATTERY HOLDER PLATE POSITION ACCORDING TO THE CHOSEN BATTERY POSITION.

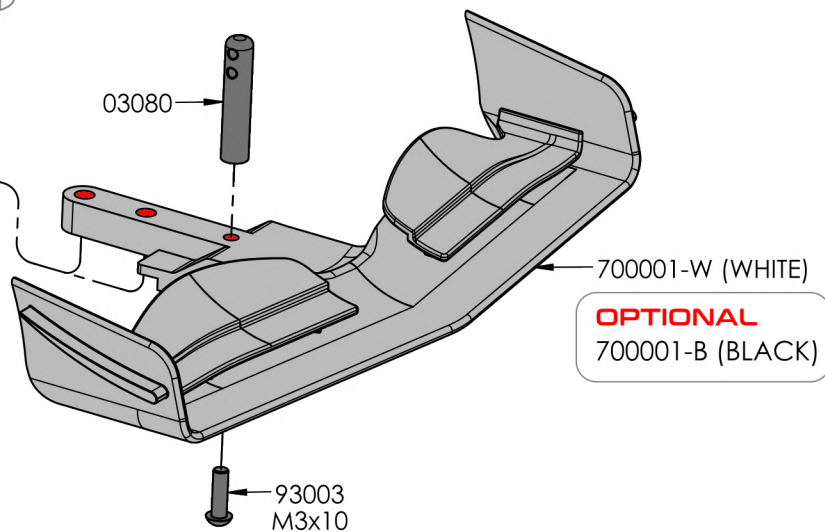
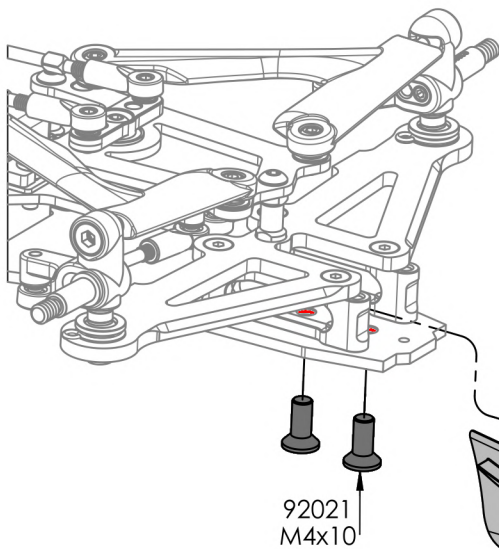
TO REMOVE BATTERY PACK UNTIGHT SCREWS SLIGHTLY AND SLIDE THE PLATE BACKWARDS.

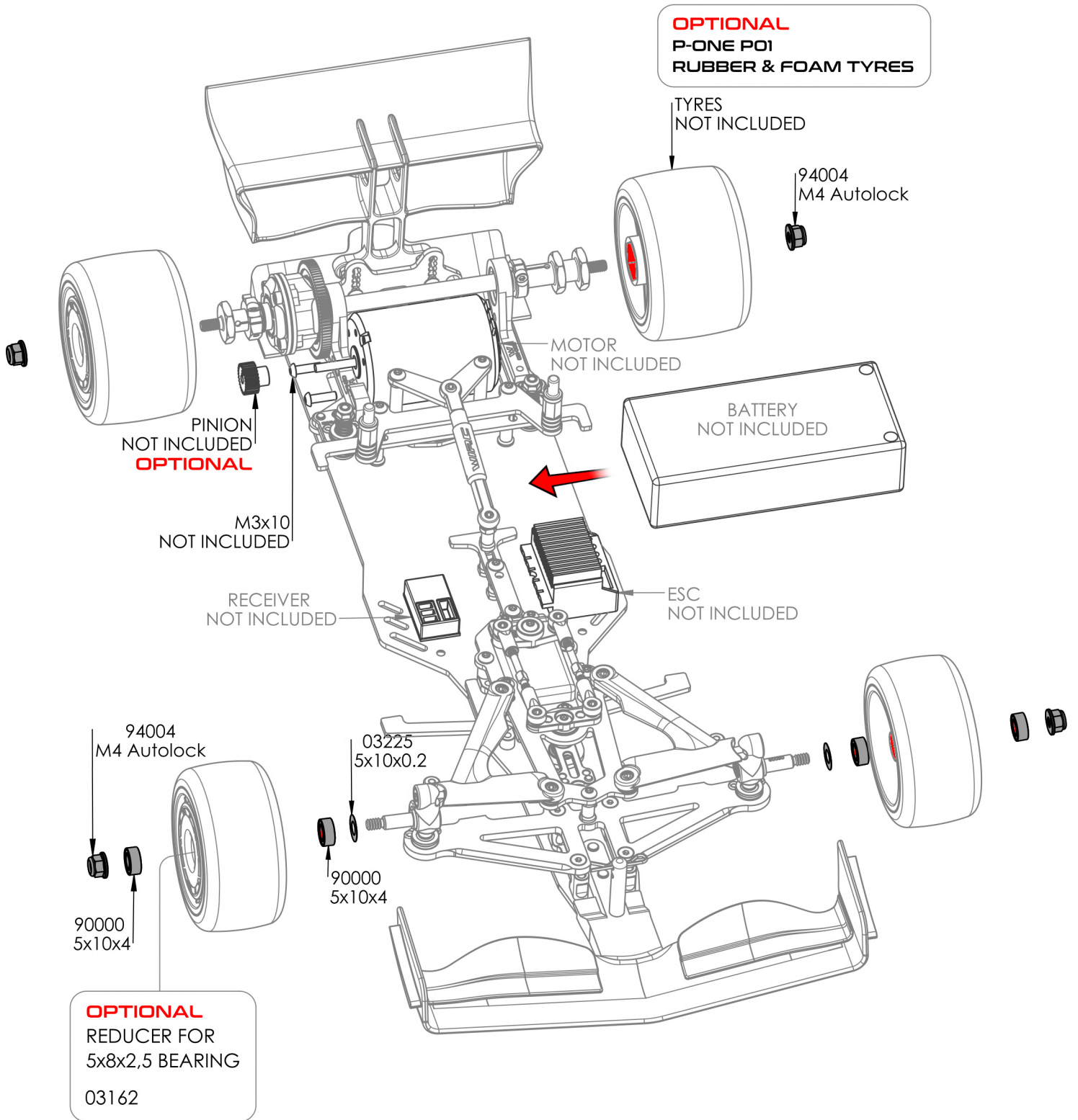


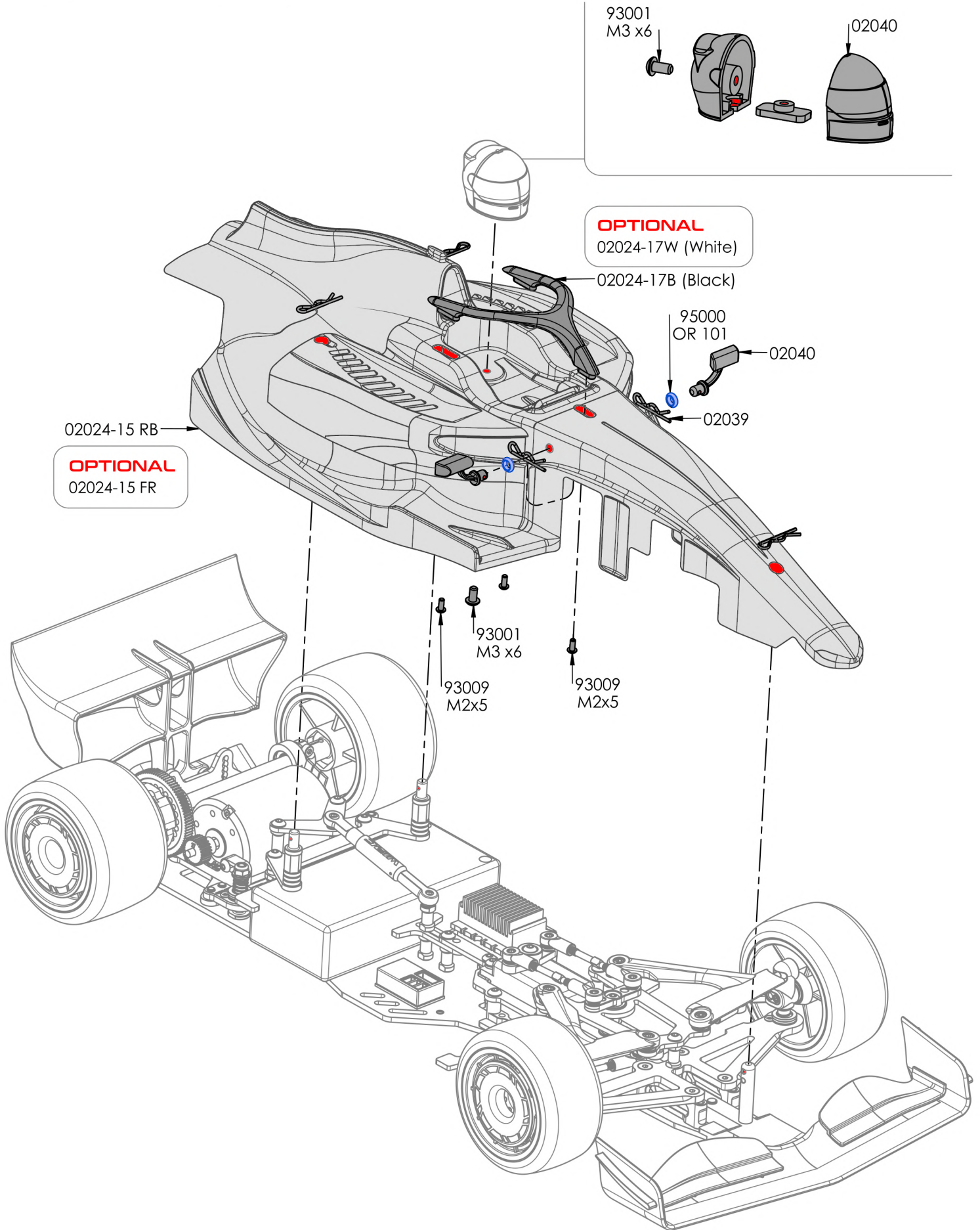
OPTIONAL
700002-B (BLACK)
700002-W (WHITE)



FRONT WING HAS TO BE TRIMMED TO FIT ON THE CAR, REMOVE THE AREA MARKED IN RED.







F26

NAME _____

DATE _____

TRACK _____

TRACK CONDITION

SURFACE

CARPET ASPHALT

TRACTION

LOW MEDIUM HIGH

DRIVE RATIO

PINION	SPUR GEAR

GEAR DIFF.

OIL VISCOSITY _____

TYRES

	BRAND	TYPE
FRONT		
REAR		

SPRINGS

FRONT	SIDE	DAMPER

TRACK WIDTH

FRONT	
REAR	

SHOCK ABSORBER

O-RING 1 2 3

REAR AXLE HEIGHT

-3 MM. -2 MM. -1 MM. 0 MM. +1 MM. +2 MM. +3 MM.

BODY & FRONT

BODY	
FRONT WING TYPE	
FRONT FLAP POS.	

ELECTRONICS

MOTOR	
BATTERY	
ESC	
SERVO	
RADIO	

FRONT HEIGHT

CASTER

VIEW FROM TOP

3°

6°

9°

12°

ACKERMANN

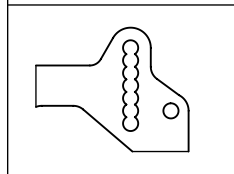
1

2

REAR WING

TYPE

WING HEIGHT



FRONT TOE

WHEELBASE

Long
 Short

BATTERY POSITION

1
 2
 3
 4

▲ FORWARD

FRONT CAMBER

NOTES/OPTIONALS

%	EPA	EXPO
THROTTLE		
BRAKE		
STEERING		

WIRC
PROFESSIONAL RC CAR

WWW.WIRCRACING.COM