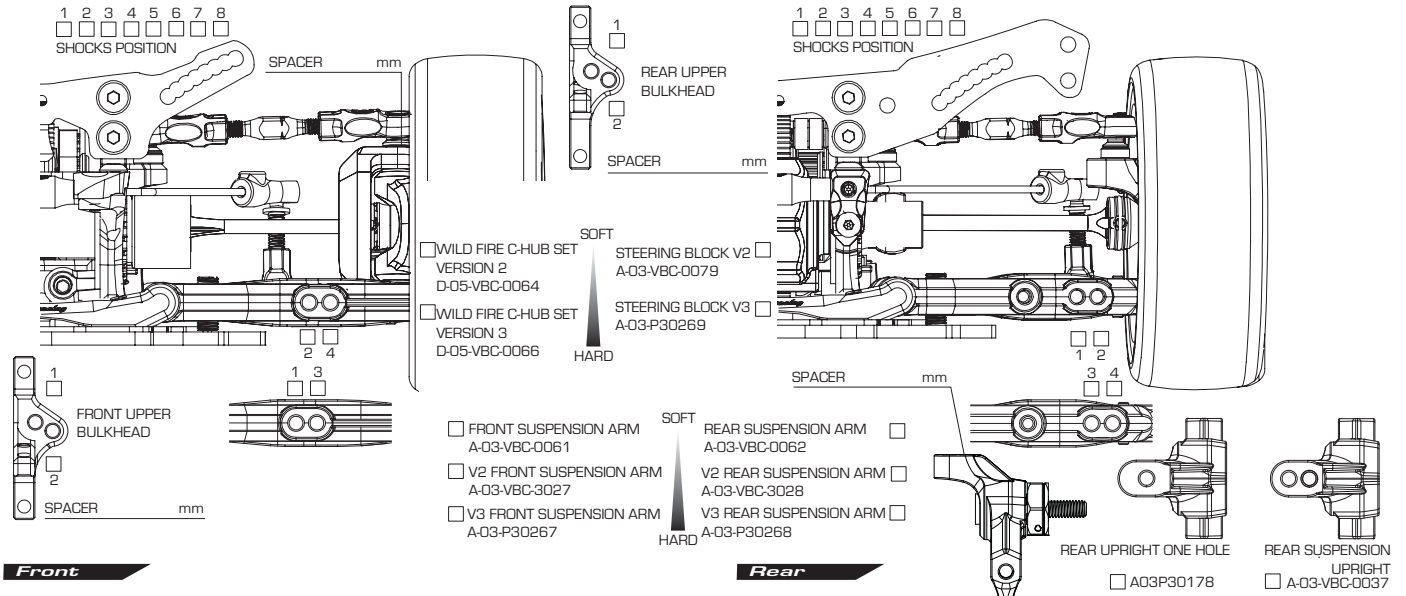


# WILDFIRE DOT

1/10 4WD ELECTRIC COMPETITION TOURING CAR KIT

## SETUP SHEET

Arr0



**Front**

**Rear**

GROUND CLEARANCE \_\_\_\_\_ mm DROOP \_\_\_\_\_ mm

CAMBER ANGLE \_\_\_\_\_ ° TOE ANGLE \_\_\_\_\_ °

CASTER ANGLE \_\_\_\_\_ ° FRONT DRIVE DIFF (OIL \_\_\_\_\_) / DIRECT

STABILIZER 1.2 1.3 1.4 WHEEL SPACER \_\_\_\_\_ mm

SUSPENSION SHIM (FF) \_\_\_\_\_ mm SUSPENSION SHIM (FR) \_\_\_\_\_ mm

SUSPENSION MOUNT (FF) \_\_\_\_\_ SUSPENSION MOUNT (FR) \_\_\_\_\_

AXLE TYPE / SIZE \_\_\_\_\_ TWO-PIECE JOINT / SINGLE JOINT (STEEL/ALUM) \_\_\_\_\_ mm

GROUND CLEARANCE \_\_\_\_\_ mm DROOP \_\_\_\_\_ mm

CAMBER ANGLE \_\_\_\_\_ ° TOE ANGLE \_\_\_\_\_ °

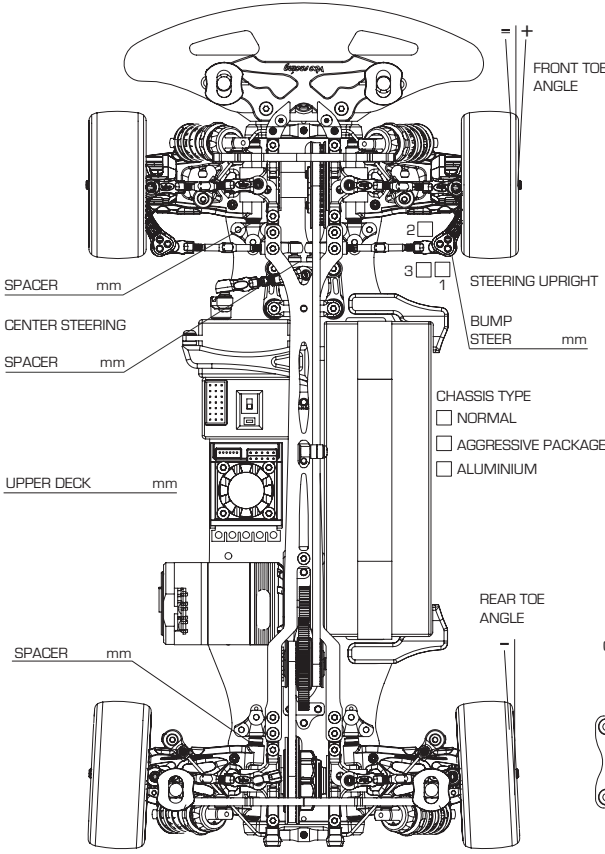
REAR DRIVE DIFF (OIL \_\_\_\_\_) DRIVE CUP \_\_\_\_\_ ALUMINUM / STEEL

STABILIZER 1.2 1.3 1.4 WHEEL SPACER \_\_\_\_\_ mm

SUSPENSION SHIM (FF) \_\_\_\_\_ mm SUSPENSION SHIM (FR) \_\_\_\_\_ mm

SUSPENSION MOUNT (FF) \_\_\_\_\_ SUSPENSION MOUNT (FR) \_\_\_\_\_

AXLE TYPE / SIZE \_\_\_\_\_ TWO-PIECE JOINT / SINGLE JOINT (STEEL/ALUM) \_\_\_\_\_ mm



**Front**

**Rear**

SHOCK LENGTH \_\_\_\_\_ mm

PISTON 3 4 hole(s) / OTHERS \_\_\_\_\_

OIL \_\_\_\_\_

SPRING \_\_\_\_\_

OIL SEALER CAP S / MS / M / H \_\_\_\_\_

REBOUND \_\_\_\_\_ %

NOTES \_\_\_\_\_

MOTOR \_\_\_\_\_ SPUR \_\_\_\_\_ T \_\_\_\_\_ PITCH \_\_\_\_\_ PINION \_\_\_\_\_ T \_\_\_\_\_

TIRE \_\_\_\_\_ TIRE INSERT \_\_\_\_\_ WHEEL \_\_\_\_\_

TIRE ADDITIVE \_\_\_\_\_ BODY \_\_\_\_\_ REAR WING \_\_\_\_\_

ESC \_\_\_\_\_ BATTERY \_\_\_\_\_

REMARKS \_\_\_\_\_

