

WILDFIRE 006

1/10 4WD ELECTRIC COMPETITION TOURING CAR KIT

SETUP SHEET



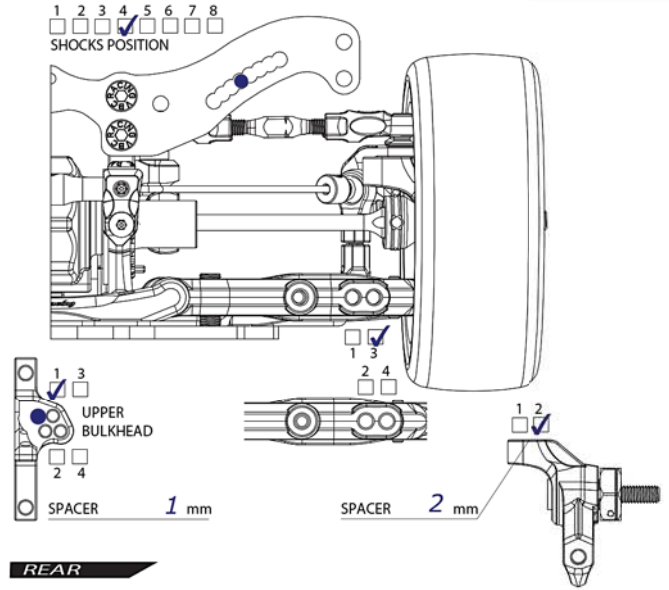
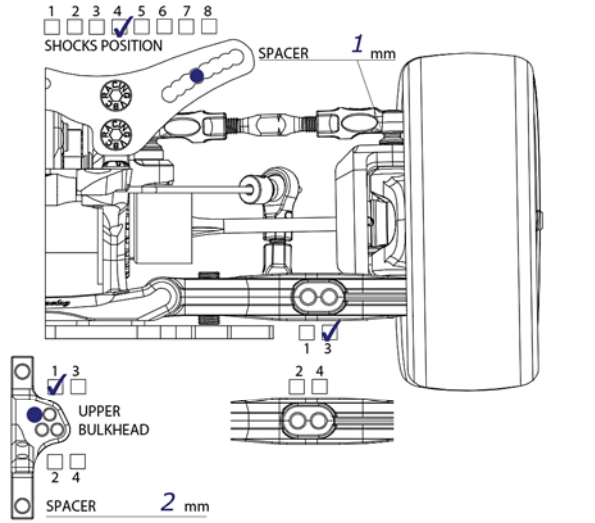
DRIVER VBC Racing Shop DATE _____

TRACK NAME _____ RESULT 1st

COMPOSITION Asphalt (INDOOR/OUTDOOR) BEST LAP _____

HUMIDITY _____ TRACK TEMP 100 F

GRIP HI MEDIUM LOW SURFACE SMOOTH BUMPY



FRONT

GROUND CLEARANCE 5.25 mm DROOP 5

CAMBER ANGLE 2 ° TOE ANGLE -2 °

CASTER BLOCK 4 ° FRONT DRIVE DIFF (OIL) / DIRECT

STABILIZER 1.2 1.4 WHEEL SPACER 0 mm

SUSPENSION SHIM (FF) .5 mm SUSPENSION SHIM (FR) 1 mm

SUSPENSION MOUNT (FF) Stock SUSPENSION MOUNT (FR) Stock

WHEELBASE FRONT 3 REAR 1 BELT TENSION 1 notch towards front

AXLE TYPE / SIZE TWO PIECE JOINT / SINGLE JOINT (STEEL/ALUM) 50.5 mm

REAR

GROUND CLEARANCE 5.5 mm DROOP 3 under hub

CAMBER ANGLE 2 ° TOE ANGLE 3 °

REAR DRIVE DIFF (OIL 3000) DRIVE CUP ALUM/NUM/STEEL

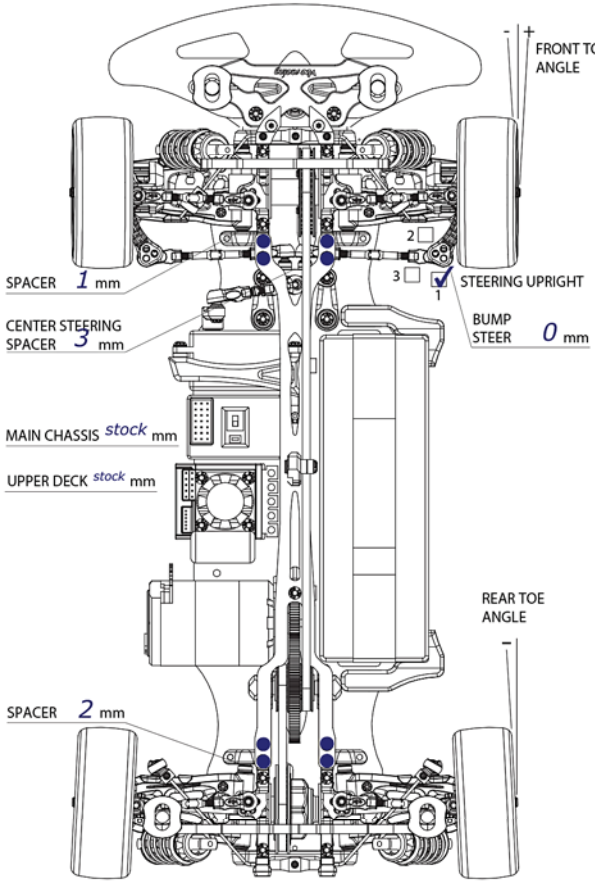
STABILIZER 1.2 1.4 WHEEL SPACER 0 mm

SUSPENSION SHIM (RF) .5 mm SUSPENSION SHIM (RR) .5 mm

SUSPENSION MOUNT (RF) Stock SUSPENSION MOUNT (RR) E30

WHEELBASE FRONT 2 REAR 2 BELT TENSION 1 notch towards rear

AXLE TYPE / SIZE TWO PIECE JOINT / SINGLE JOINT (STEEL/ALUM) 50.5 mm



FRONT

SHOCK LENGTH 59 mm

PISTON 4 holes / OTHERS

OIL TLR 37.5

SPRING VBC Orange

OIL SEALER CAP S / MS / / H

REBOUND 0 %

NOTES 1.1mm hole in shock cap

REAR

SHOCK LENGTH 59 mm

PISTON 4 holes / OTHERS

OIL TLR 37.5

SPRING VBC Red

OIL SEALER CAP S / MS / / H

REBOUND 0 %

NOTES 1.1mm hole in shock cap

MOTOR 17.5 SPUR 96 T PINION T PITCH 64

TIRE Sorex 36R TIRE INSERT Speedworld SJR WHEEL Yokomo

TIRE ADDITIVE MG3 TIME 20 minutes (Let Dry) TIRE WARMER 55 C

ESC HW V3.1 ESC SETTING Blinky Max Punch

BATTERY Silverback 7300 BODY PF LTCR LW REAR WING Cut low/Forward

REMARKS

The setup has great steering, stability, corner speed and is easy to drive at the limit.