



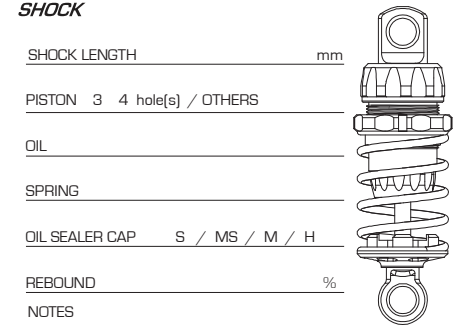
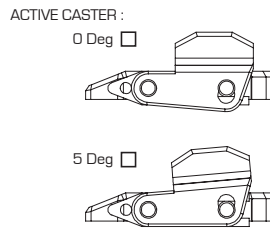
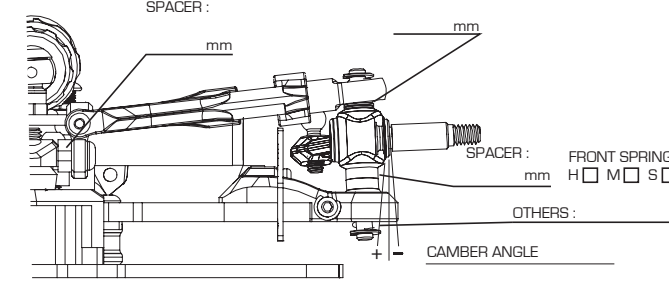
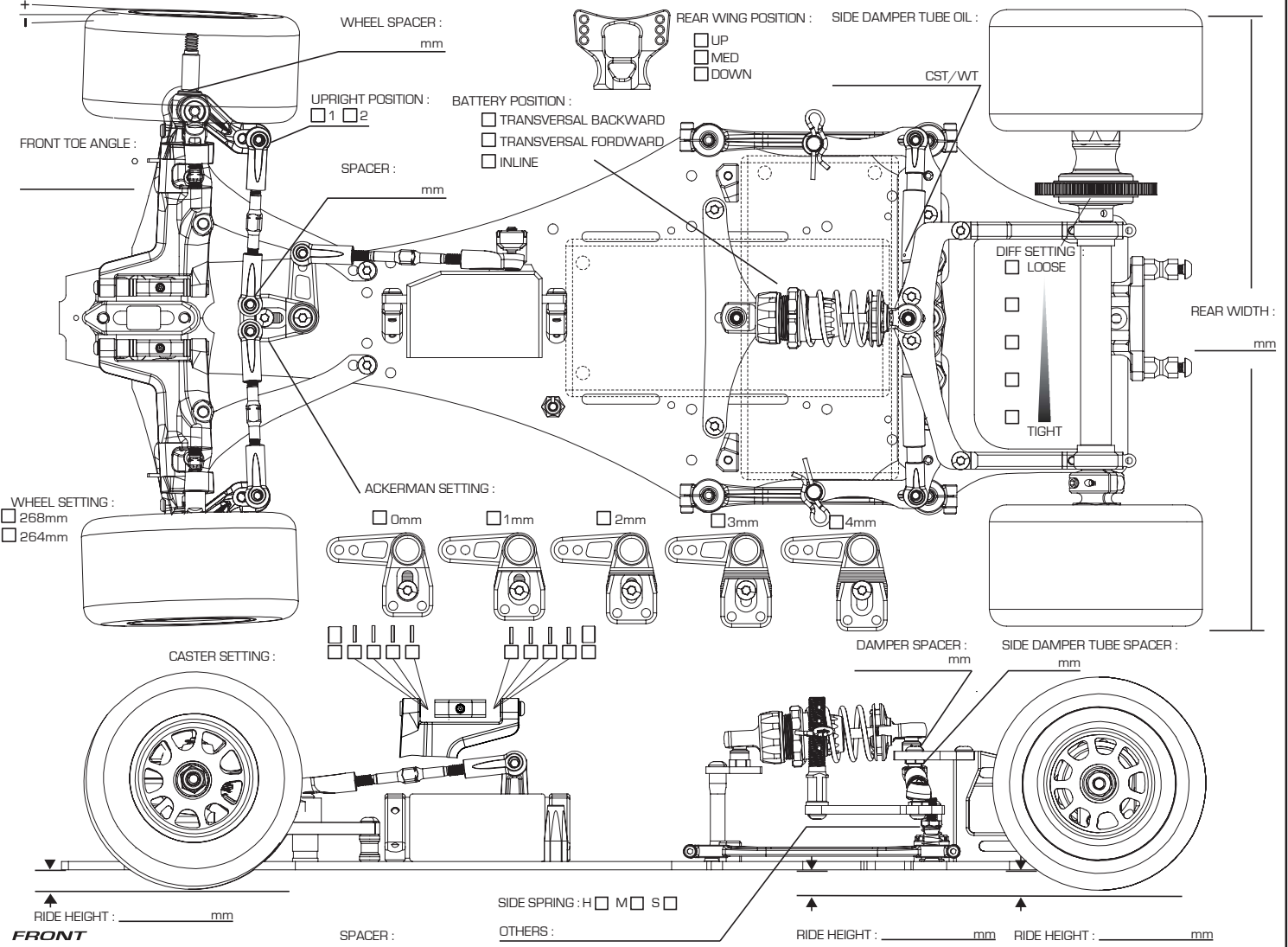
1/10 SCALE ELECTRIC COMPETITION FORMULA CAR KIT



DRIVER \_\_\_\_\_ DATE \_\_\_\_\_  
 TRACK \_\_\_\_\_ RESULT \_\_\_\_\_  
 ASPHALT / CARPET INDOOR / OUTDOOR BEST LAP \_\_\_\_\_  
 HUMIDITY \_\_\_\_\_ TRACK TEMP \_\_\_\_\_ AIR TEMP \_\_\_\_\_  
 GRIP LOW MEDIUM HIGH SURFACE BUMPY MEDIUM SMOOTH \_\_\_\_\_

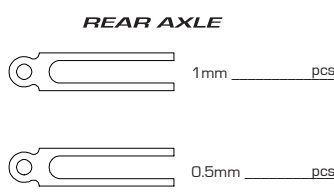
**SETUP SHEET**

Am0



**FRONT TIRES**  
 TIRE : \_\_\_\_\_  
 DIAMETER : \_\_\_\_\_ mm  
 WHEEL : \_\_\_\_\_  
 TIRE TREATMENT : \_\_\_\_\_  
 TREATMENT TIME : \_\_\_\_\_  
  
 SURFACE TREATED : \_\_\_\_\_  
 NOTES : \_\_\_\_\_

**REAR TIRES**  
 TIRE : \_\_\_\_\_  
 DIAMETER : \_\_\_\_\_ mm  
 WHEEL : \_\_\_\_\_  
 TIRE TREATMENT : \_\_\_\_\_  
 TREATMENT TIME : \_\_\_\_\_  
  
 SURFACE TREATED : \_\_\_\_\_  
 NOTES : \_\_\_\_\_



MOTOR : \_\_\_\_\_ ROTOR : \_\_\_\_\_ TIMING : \_\_\_\_\_  
 SPUR : T \_\_\_\_\_ PINION : T \_\_\_\_\_ PITCH \_\_\_\_\_ ROLLOUT : \_\_\_\_\_  
 ESC : \_\_\_\_\_ SETUP : \_\_\_\_\_ BATTERY : \_\_\_\_\_  
 STEERING EXPO : \_\_\_\_\_ BRAKE E.P. : \_\_\_\_\_ THROTTLE EXPO : \_\_\_\_\_  
 BODY : \_\_\_\_\_ FRONT WING : \_\_\_\_\_ REAR WING : \_\_\_\_\_  
 WEIGHT : \_\_\_\_\_ REMARKS : \_\_\_\_\_