



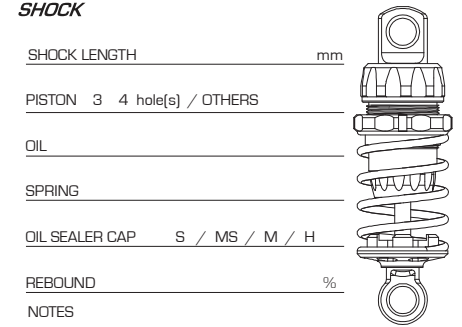
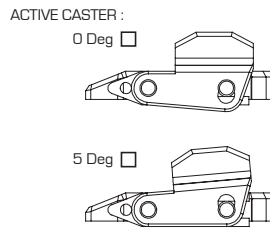
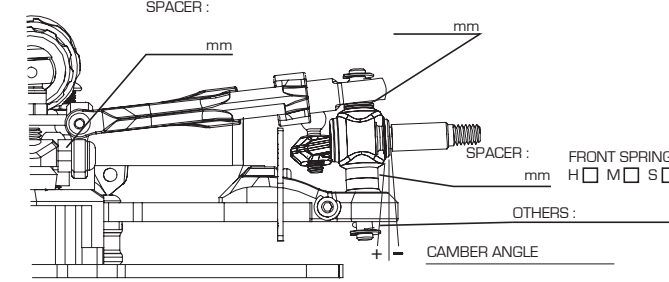
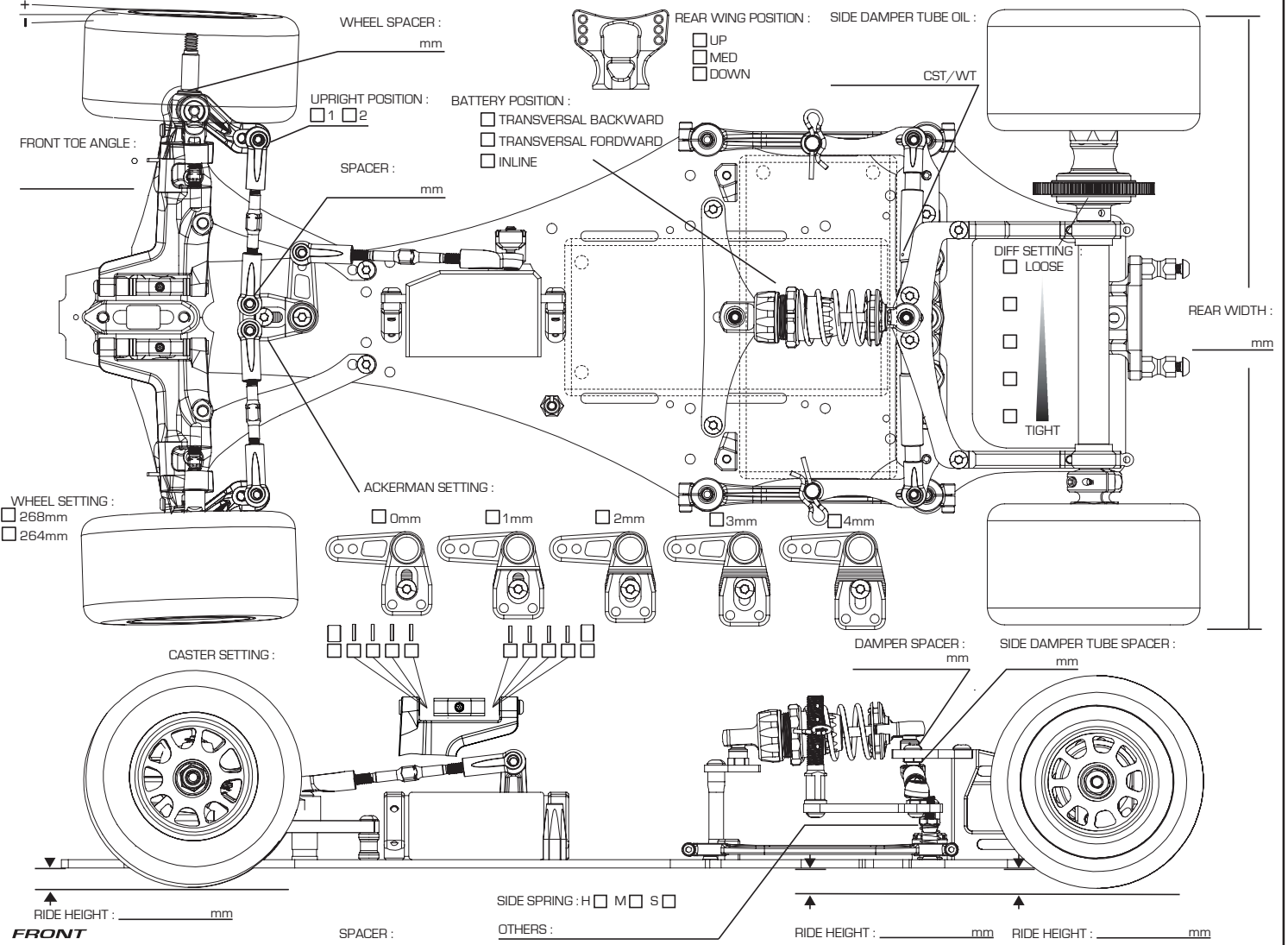
1/10 SCALE ELECTRIC COMPETITION FORMULA CAR KIT



DRIVER _____ DATE _____
 TRACK _____ RESULT _____
 ASPHALT / CARPET INDOOR / OUTDOOR BEST LAP _____
 HUMIDITY _____ TRACK TEMP _____ AIR TEMP _____
 GRIP LOW MEDIUM HIGH SURFACE BUMPY MEDIUM SMOOTH _____

SETUP SHEET

Am0



FRONT TIRES
 TIRE: _____
 DIAMETER: _____ mm
 WHEEL: _____
 TIRE TREATMENT: _____
 TREATMENT TIME: _____

 SURFACE TREATED: _____
 NOTES: _____

REAR TIRES
 TIRE: _____
 DIAMETER: _____ mm
 WHEEL: _____
 TIRE TREATMENT: _____
 TREATMENT TIME: _____

 SURFACE TREATED: _____
 NOTES: _____

REAR AXLE
 1mm _____ pcs
 0.5mm _____ pcs
 MOTOR: _____ ROTOR: _____ TIMING: _____
 SPUR: T _____ PINION: T _____ PITCH _____ ROLLOUT: _____
 ESC: _____ SETUP: _____ BATTERY: _____
 STEERING EXPO: _____ BRAKE E.P.: _____ THROTTLE EXPO: _____
 BODY: _____ FRONT WING: _____ REAR WING: _____
 WEIGHT: _____ REMARKS: _____