

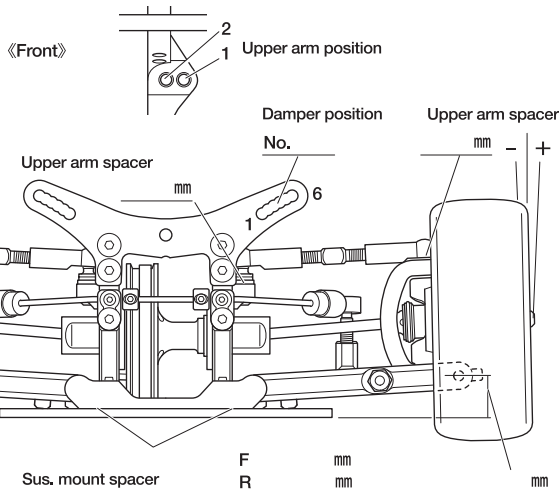
# TRF 419 WORLD CHAMPION TEAM

TAMIYA RACING FACTORY

Ver 1.00  
SETTING SHEET

Name \_\_\_\_\_ Date \_\_\_\_\_ Air temp. \_\_\_\_\_ Humidity \_\_\_\_\_

Track \_\_\_\_\_ Track condition \_\_\_\_\_ Track temp. \_\_\_\_\_



Front axle \_\_\_\_\_ °

Camber angle \_\_\_\_\_ °

Ground clearance \_\_\_\_\_ mm

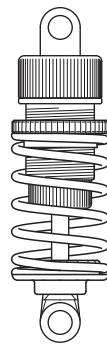
Rebound stroke \_\_\_\_\_ mm

Stabilizer \_\_\_\_\_

Wheel spacer \_\_\_\_\_ mm

Front drive \_\_\_\_\_

Differential oil # %



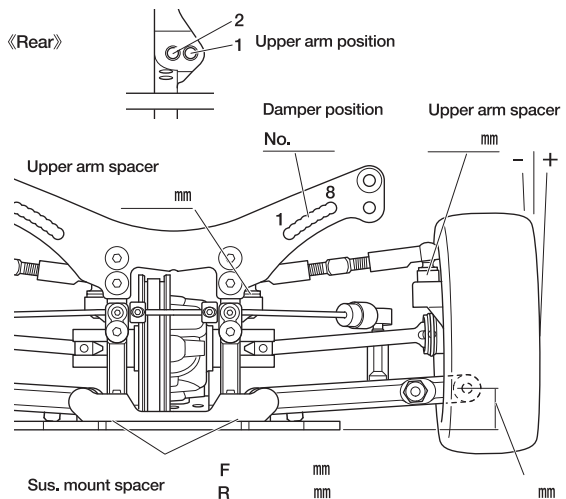
Damper type \_\_\_\_\_

Piston \_\_\_\_\_ hole(s)

Oil \_\_\_\_\_ #

Spring \_\_\_\_\_

Memo \_\_\_\_\_



Rear upright 416 / 418

Camber angle \_\_\_\_\_ °

Ground clearance \_\_\_\_\_ mm

Rebound stroke \_\_\_\_\_ mm

Stabilizer \_\_\_\_\_

Wheel spacer \_\_\_\_\_ mm

Rear drive \_\_\_\_\_

Differential oil \_\_\_\_\_



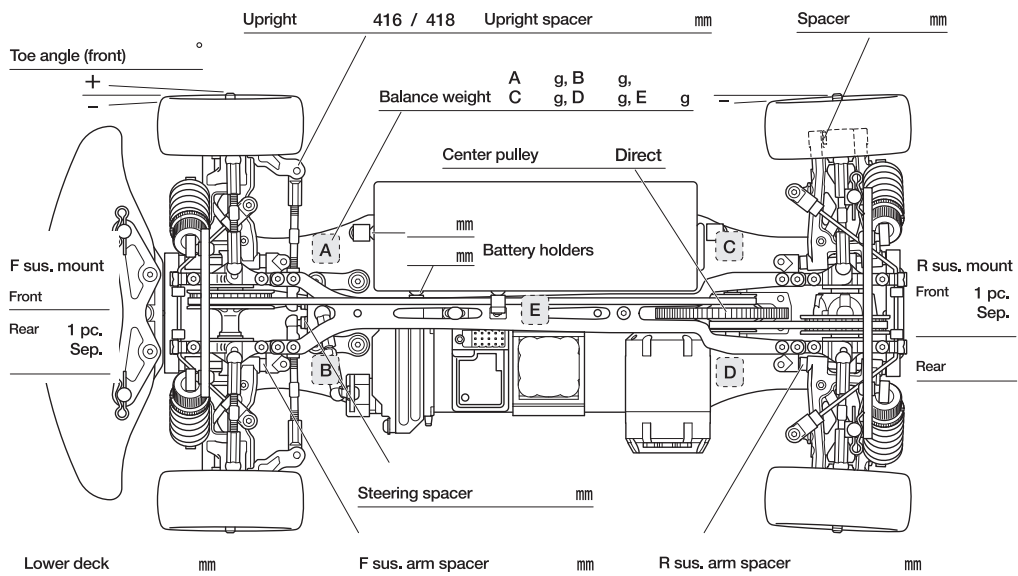
Damper type \_\_\_\_\_

Piston \_\_\_\_\_ hole(s)

Oil \_\_\_\_\_ #

Spring \_\_\_\_\_

Memo \_\_\_\_\_



Motor \_\_\_\_\_

Spur gear Pinion gear T T

Battery \_\_\_\_\_ / g

Body \_\_\_\_\_

Wing \_\_\_\_\_

Tire \_\_\_\_\_

Wheel \_\_\_\_\_

Tire insert \_\_\_\_\_

Best lap \_\_\_\_\_