

TRF416

TAMIYA RACING FACTORY

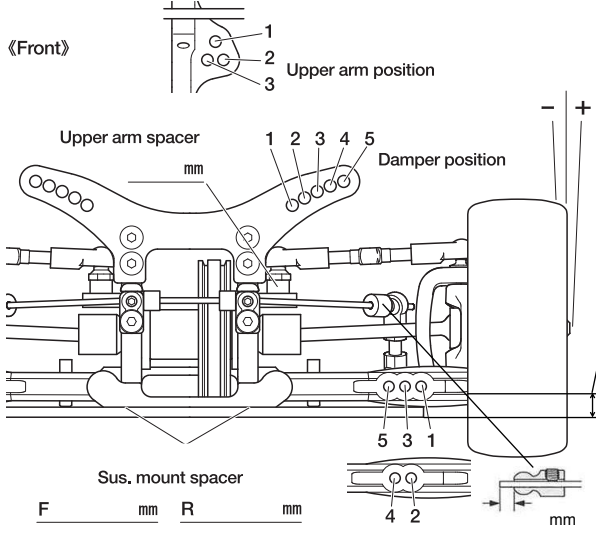
CHASSIS KIT

1/10 SCALE R/C 4WD RACING CAR
TRF416 CHASSIS KIT

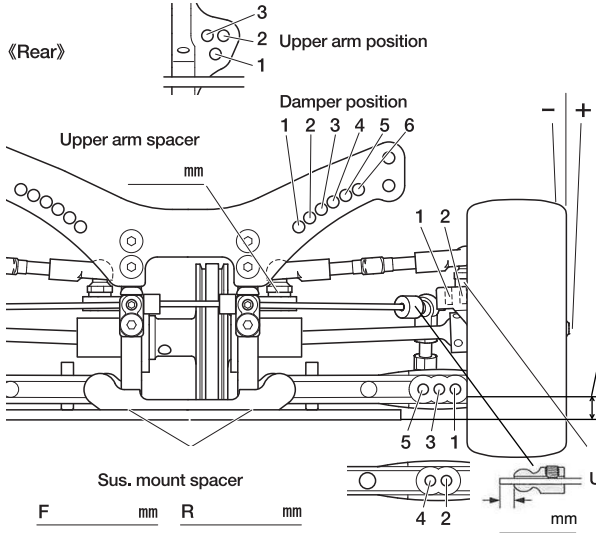
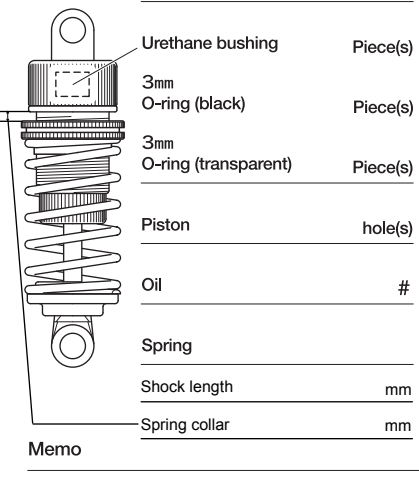
SETTING SHEET

Name _____ Date _____ Air temp. _____ Humidity _____

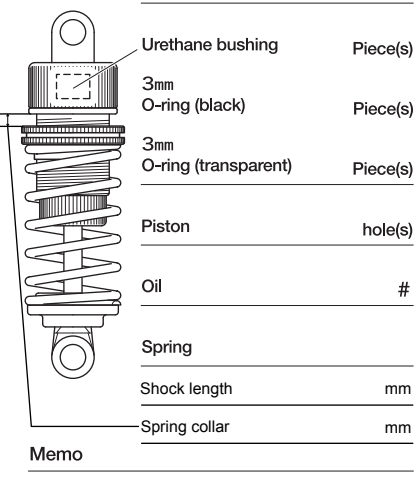
Track _____ Track condition _____ Track temp. _____



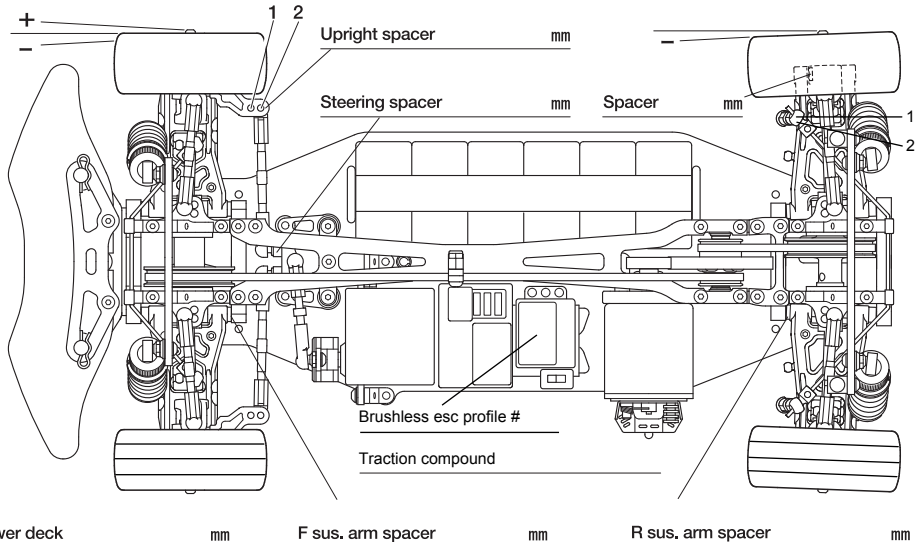
Front axle	2°	4°
Camber angle	°	
Ground clearance	mm	
Rebound stroke	mm	
Front drive	One-way	Direct
Stabilizer	None	S M H
Wheel spacer	mm	
Pulley position	Up	Down



Rear axle	°	
Camber angle	°	
Ground clearance	mm	
Rebound stroke	mm	
Stabilizer	None	S M H
Wheel spacer	mm	
Pulley position	Up	Down
Upper arm spacer	mm	



Toe angle (front) _____ F sus. mount Front Rear R sus. mount Front Rear



- Motor _____
- Spur gear _____ Pinion gear _____
- Center pulley _____ Diff pulley _____
- Battery _____
- Body _____
- Wing _____
- Tire _____
- Wheel _____
- Tire insert _____
- Best lap _____