



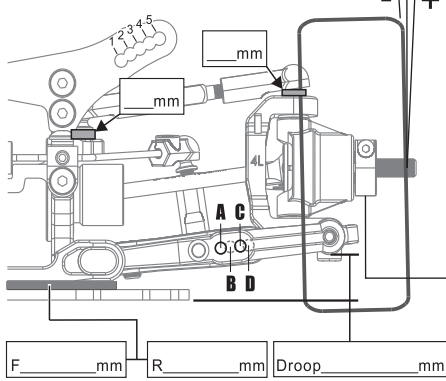
# Setup Sheet



Name: \_\_\_\_\_ Date: \_\_\_\_\_ Event: \_\_\_\_\_

Track: \_\_\_\_\_ Track Condition: \_\_\_\_\_ Lap Time: \_\_\_\_\_ Final Position: \_\_\_\_\_

## Front



Camber Angle +/- _____°	Front Diff <input type="checkbox"/> Gear <input type="checkbox"/> Spool
Caster Angle _____°	Diff Oil # _____
Ride Height _____ mm	
Sway Bar Ø _____ mm	
Wheel Hubs _____ mm	
Spacer _____ mm	

### Shocks

Shock Oil # \_\_\_\_\_

Piston 1.1 / 1.2 \_\_\_\_\_

O-ring \_\_\_\_\_

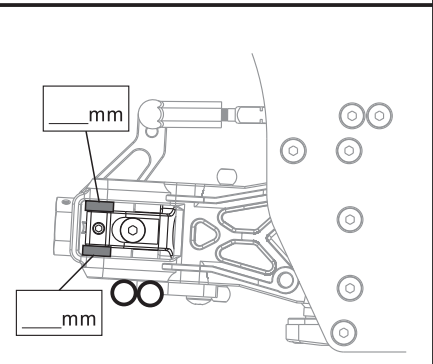
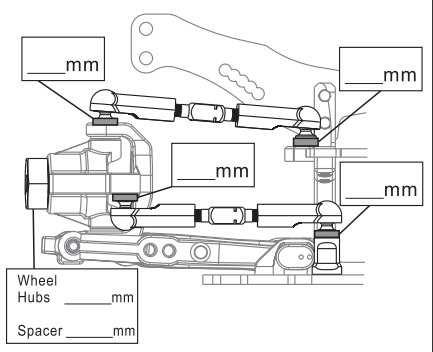
Rebound \_\_\_\_\_

Spring \_\_\_\_\_

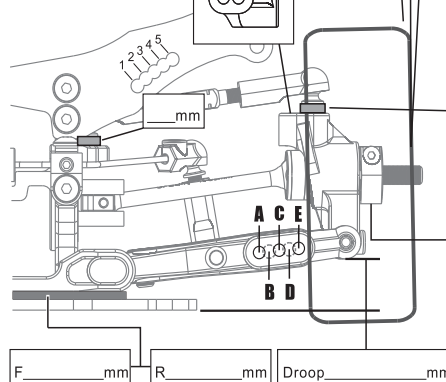
Length \_\_\_\_\_ mm

## A.R.T. SYSTEM

Active Rear Toe System



## Rear



Camber Angle +/- _____°	Rear Diff Oil # _____
Ride Height _____ mm	
Shim _____ mm	
Sway Bar Ø _____ mm	
Wheel Hubs _____ mm	
Spacer _____ mm	

### Shocks

Shock Oil # \_\_\_\_\_

Piston 1.1 / 1.2 \_\_\_\_\_

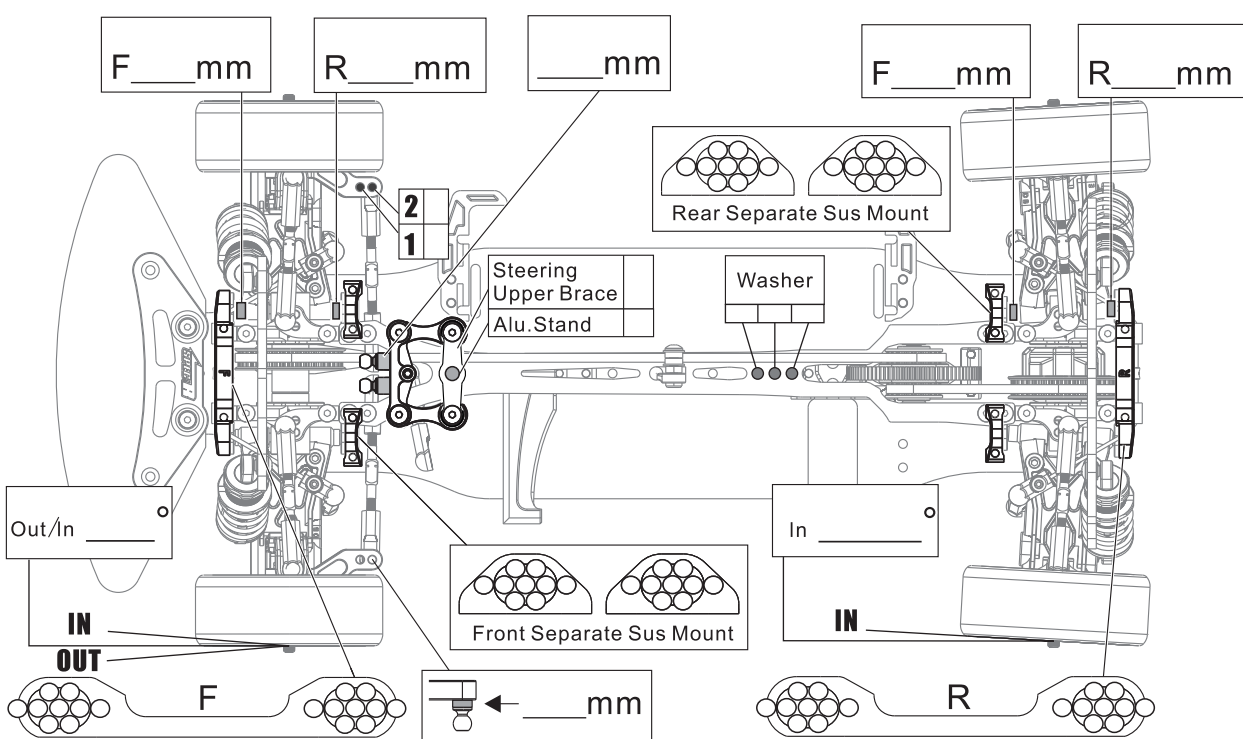
O-ring \_\_\_\_\_

Rebound \_\_\_\_\_

Spring \_\_\_\_\_

Length \_\_\_\_\_ mm

## Chassis



## Tires

Brand: \_\_\_\_\_

Compound: \_\_\_\_\_

Insert: \_\_\_\_\_

Wheel: \_\_\_\_\_

## Others

Motor: \_\_\_\_\_

Spur Gear: \_\_\_\_\_

Pinion Gear: \_\_\_\_\_

Battery: \_\_\_\_\_

ESC: \_\_\_\_\_

Body: \_\_\_\_\_

Wing: \_\_\_\_\_

	Front			Rear		
	Soft	Hard	Alu.	Soft	Hard	Alu.
C-Hub						
Steering Block						
Rear-Hub						
Arm						

Note: \_\_\_\_\_