

DRIVER, TRACK & RESULTS

DRIVER	COUNTRY	WEATHER	AIR T°	TRACK T°	<input type="checkbox"/> DRY	<input type="checkbox"/> INTERMEDIATE	<input type="checkbox"/> WET	
TRACK	CONDITION	<input type="checkbox"/> ASPHALT	<input type="checkbox"/> CARPET	<input type="checkbox"/> LOW	<input type="checkbox"/> MEDIUM	<input type="checkbox"/> HIGH	<input type="checkbox"/> BUMPY	<input type="checkbox"/> SMOOTH
RACE	DATE	QUALIFICATION	BEST LAP TIME	FINAL				

FLEX CONFIGURATION

CHASSIS ALU CARBON

CENTER SHOCK ABSORBER

OIL REBOUND

PISTON

SPRING 6.5 8 10 12 14 16 18

OTHER

CENTER TUBE

OIL

FRONT	TYRES <input type="checkbox"/> Controlled Tyre	REAR
TYPE	<input type="checkbox"/> RUBBER <input type="checkbox"/> FOAM	
BRAND & TYPE		
DIAMETER (mm)		
ADDITIVE		
ADDITIVE TIMING (min)		
SURFACE (%)		

ELECTRONICS

BATTERY

MOTOR TIMING

ESC RECEIVER

SERVO RADIO

RATIO CONFIGURATION

PINION SPUR GEAR PITCH

FINAL RATIO ROLLOUT mm

AERODYNAMIC CONFIGURATION

FRONT WING

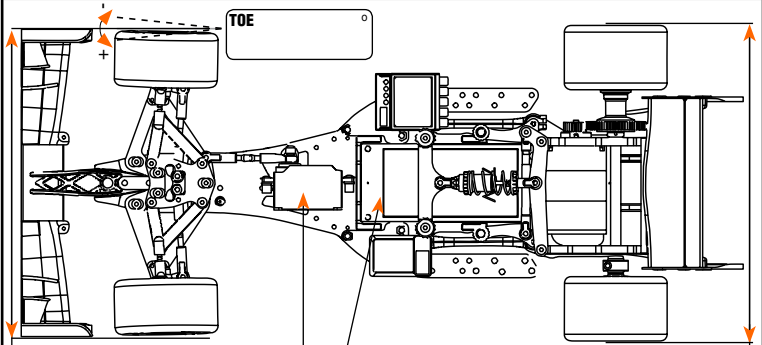
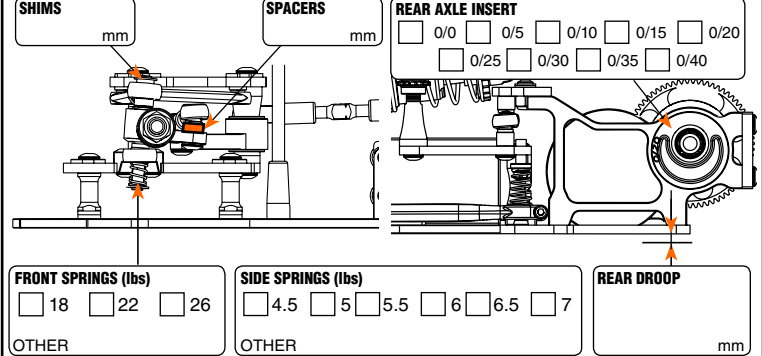
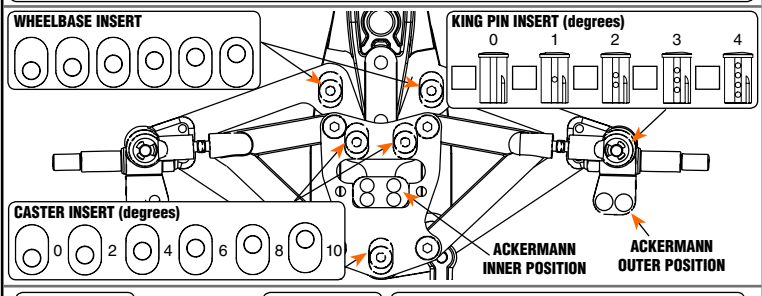
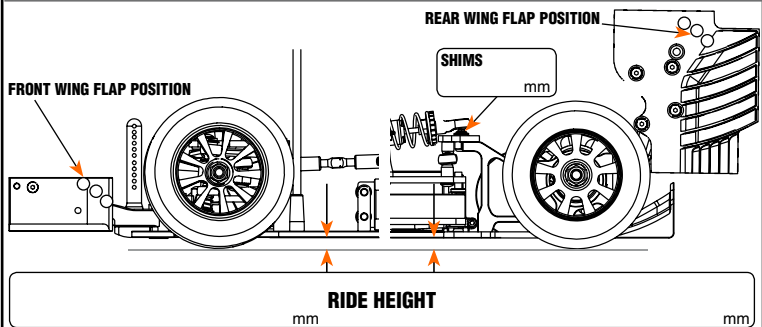
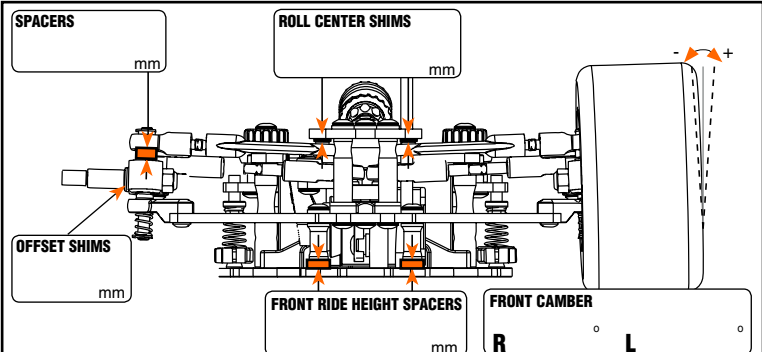
FRONT BIG WING FLAPS YES NO

FRONT SMALL WING FLAPS YES NO

REAR WING

REAR WING POSITION UP DOWN

REAR DIFFUSER YES NO



<p>TRACK WIDTH (mm)</p>	<p>WEIGHT DISTRIBUTION</p> <p>CAR WEIGHT (grs)</p> <p>BATTERY LOCATION <input type="checkbox"/> FR <input type="checkbox"/> RR</p> <p>SERVO LOCATION <input type="checkbox"/> FR <input type="checkbox"/> RR</p> <p>ESC LOCATION <input type="checkbox"/> RIGHT <input type="checkbox"/> LEFT <input type="checkbox"/> CHASSIS</p>
--------------------------------	---