

## Driver Details

**Name**  
**Date** 22/05/2022  
**Event / Track** BRCA 2wd Nationals Round 2 Stafford  
**Weather** Dry, warm 18°C  
**Result** B Final P10. Overall after 3 Leg Finals P9 7th, 6th, 7th.  
**Fastest Lap** 18.41

## Chassis and Electrics

**Chassis** Kit  C/F   
**Top Deck** Kit  C/F  Dowel Yes  No   
**Bodyshell** Blitz MK9 0.7  
**Wing** Blitz MK9 0.u  
**ESC** Hobbywing BRCA control ESC  
**Servo** SRT  
**Receiver** Sanwa WP  
**LiPo** Intellect 4800 **Under LiPo Weight** 0 g

## Track Conditions

**Grip Level** High  Medium  Low   
**Type** Tight  Open  Mixed   
**Surface** Carpet  Tarmac   
**Condition** Smooth  Bumpy   
**Air Temperature** 18 °C °F **Track Temperature** °C °F  
**Venue** Indoor  Outdoor

## Motor and Gearing

**Motor** Hobbywing 17.5 BRCA Control motor  
**Rotor Diameter**  
**Timing**  
**Gear Pitch** 48DP  64DP   
**Spur Size** 64  
**Pinion Size** 38

## Notes

# MISSION FT

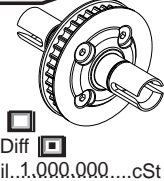
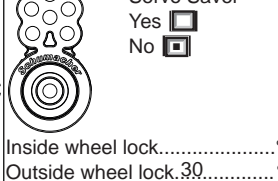
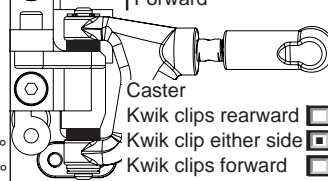
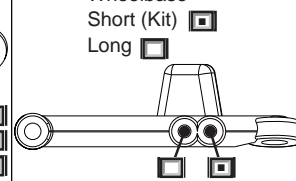
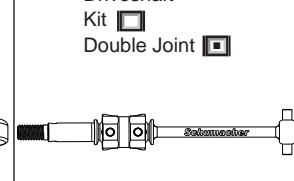
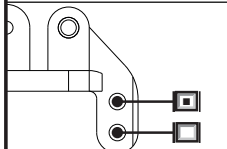
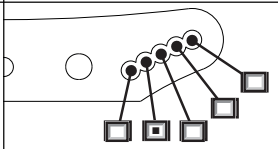
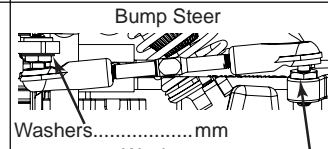
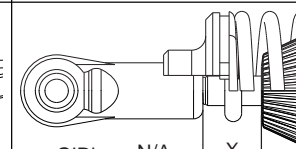
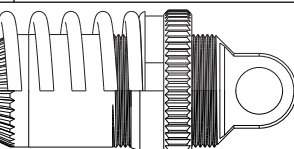
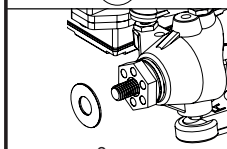
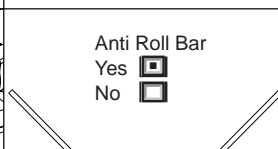
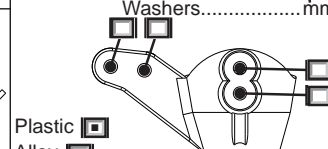
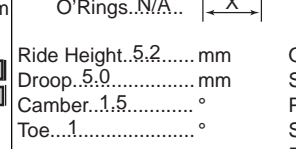
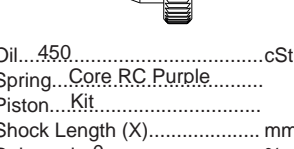
FRONT WHEEL DRIVE

Carbon shock towers.  
 S2 kit topdeck for more flex.  
 1° toe out at the front on both wheels.  
 Ti22 blue axel grease and red o-ring grease.  
 100g in bumper.  
 Overall weight 1330g.

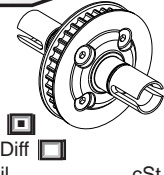
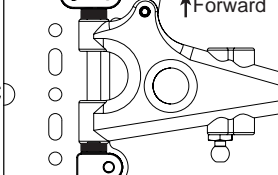
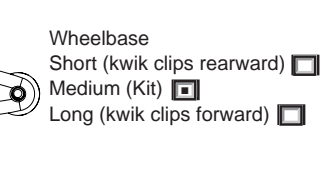
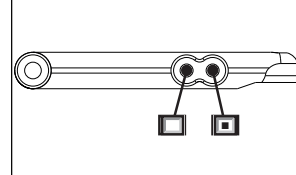
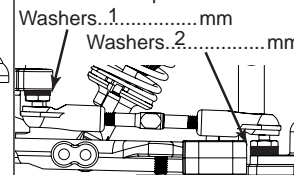
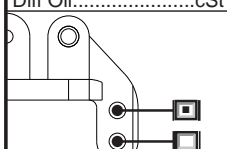
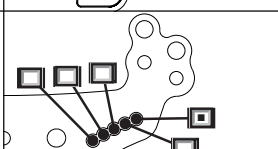
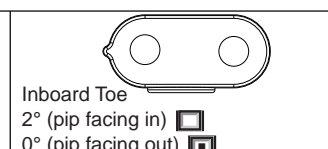
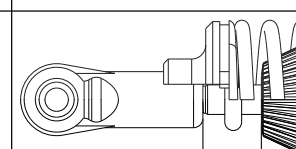
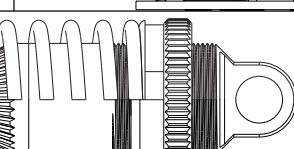
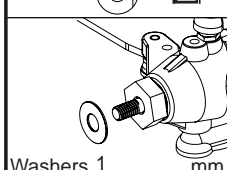
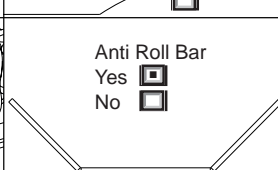
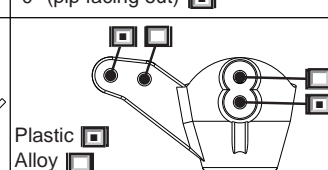
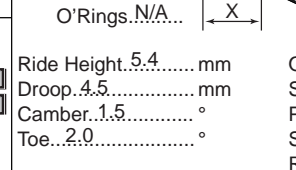
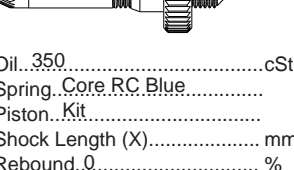
## Option Builds

**4WD Conversion** Yes  No   
**Body Posts** Horizontal  Vertical   
**Wheels, Tyres and Inserts**  
**Wheels** Ride BRCA control tyres  
**Tyres** Ride BRCA control tyres  
**Inserts** Ride BRCA control tyres  
**Tyre Additive** Spider Red  
**Additive Time** Front 20 Minutes Rear 20 Minutes  
**Tyre Warmers** Yes  No  Temp 65 °C Time 20 Minutes

## Front

 <p>Spool <input type="checkbox"/>                  Gear Diff <input type="checkbox"/>                  Diff Oil...1.000.000...cSt</p>	 <p>Servo Saver                  Yes <input type="checkbox"/>                  No <input type="checkbox"/></p> <p>Inside wheel lock.....°                  Outside wheel lock 30.....°</p>	 <p>↑ Forward                  Caster                  Kwik clips rearward <input type="checkbox"/>                  Kwik clip either side <input type="checkbox"/>                  Kwik clips forward <input type="checkbox"/></p>	 <p>Wheelbase                  Short (Kit) <input type="checkbox"/>                  Long <input type="checkbox"/></p>	 <p>Driveshaft                  Kit <input type="checkbox"/>                  Double Joint <input type="checkbox"/></p>
 <p>Washers...0.....mm</p>	 <p>Anti Roll Bar                  Yes <input type="checkbox"/>                  No <input type="checkbox"/></p>	 <p>Bump Steer                  Washers.....mm                  Washers.....mm</p>	 <p>O'Rings..N/A... X</p>	 <p>Oil...450.....cSt                  Spring...Core RC Purple.....                  Piston...Kit.....                  Shock Length (X).....mm                  Rebound...0.....%</p>
 <p>Washers...0.....mm</p>	 <p>Anti Roll Bar                  Yes <input type="checkbox"/>                  No <input type="checkbox"/></p>	 <p>Plastic <input type="checkbox"/>                  Alloy <input type="checkbox"/></p>	 <p>Ride Height..5.2.....mm                  Droop..5.0.....mm                  Camber..1.5.....°                  Toe...1.....°</p>	 <p>Oil...450.....cSt                  Spring...Core RC Purple.....                  Piston...Kit.....                  Shock Length (X).....mm                  Rebound...0.....%</p>

## Rear

 <p>None <input type="checkbox"/>                  Gear Diff <input type="checkbox"/>                  Diff Oil.....cSt</p>	 <p>↑ Forward</p>	 <p>Wheelbase                  Short (kwik clips rearward) <input type="checkbox"/>                  Medium (Kit) <input type="checkbox"/>                  Long (kwik clips forward) <input type="checkbox"/></p>		 <p>Bump Toe                  Washers..1.....mm                  Washers..2.....mm</p>
 <p>Washers...1.....mm</p>	 <p>Anti Roll Bar                  Yes <input type="checkbox"/>                  No <input type="checkbox"/></p>	 <p>Inboard Toe                  2° (pip facing in) <input type="checkbox"/>                  0° (pip facing out) <input type="checkbox"/></p>	 <p>O'Rings..N/A... X</p>	 <p>Oil...350.....cSt                  Spring...Core RC Blue.....                  Piston...Kit.....                  Shock Length (X).....mm                  Rebound...0.....%</p>
 <p>Washers...1.....mm</p>	 <p>Anti Roll Bar                  Yes <input type="checkbox"/>                  No <input type="checkbox"/></p>	 <p>Plastic <input type="checkbox"/>                  Alloy <input type="checkbox"/></p>	 <p>Ride Height..5.4.....mm                  Droop..4.5.....mm                  Camber..1.5.....°                  Toe...2.0.....°</p>	 <p>Oil...350.....cSt                  Spring...Core RC Blue.....                  Piston...Kit.....                  Shock Length (X).....mm                  Rebound...0.....%</p>