

Driver Details

NAME Dan Robins
 DATE 23/1/2022
 EVENT / TRACK Eastbourne national
 WEATHER
 RESULT TQ & Win
 FASTEST LAP TIME 14.2

NOTES

Foam body washers used all round
 Carbon Chassis
 Brass Mid Weight
 Hex Spool
 U7453 Fan Mounts Used With CR251 40mm Fan
 U7891 Alloy lock stops



Chassis and Electrics

BODYSHELL Montech MLGT3 lightweight
 WING Standard
 E.S.C Hobbywing XR10 Pro
 SERVO Sanwa PGS-HR
 RECEIVER Sanwa RX481
 LIPO LRP 8000

Track Conditions

GRIP LEVEL High Medium Low
 TYPE Tight Open Mixed
 SURFACE Carpet Tarmac
 CONDITION Smooth Bumpy
 AIR TEMPERATURE °C °F TRACK TEMPERATURE °C °F
 VENUE Indoor Outdoor

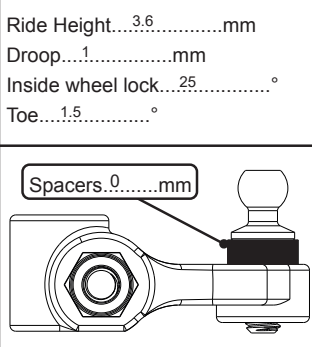
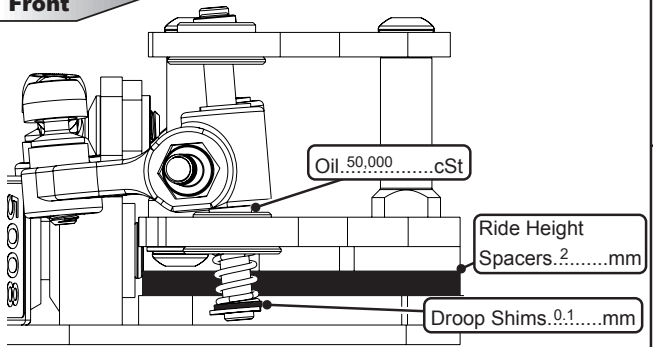
Motor and Gearing

MOTOR Hobbywing G3R
 TIMING 43
 SPUR SIZE 60
 PINION SIZE 31
 Rollout 69 mm/rev

Tyres and Additive

COMPOUND Front T35 Rear T35
 DIAMETER Front 41 Rear 43
 TYRE ADDITIVE Spider Blue
 ADDITIVE TIME Front 2 Minutes Rear 40 Minutes
 ADDITIVE COVERAGE Front 7mm Rear Full
 SIDEWALL GLUE Front Rear

Front

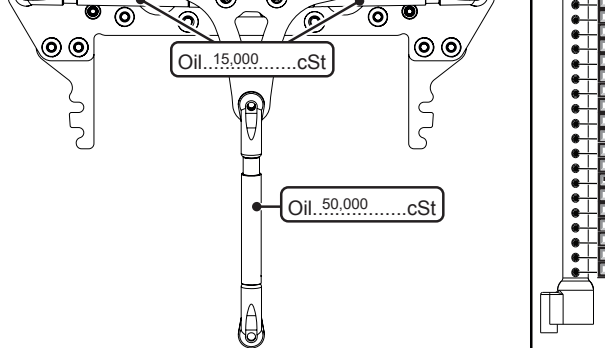
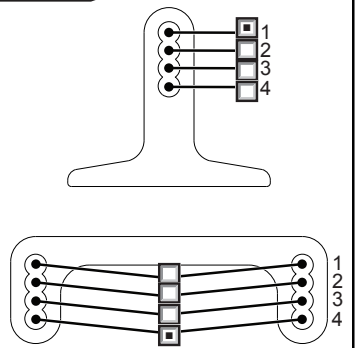


1 Dot
 2 Dot
 3 Dot

Black
 Silver - Kit
 Green
 Gold

0 Dot - Kit
 1 Dot
 2 Dot
 3 Dot

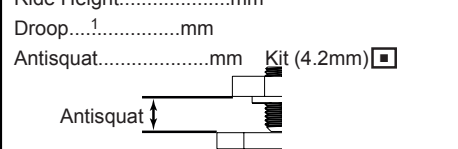
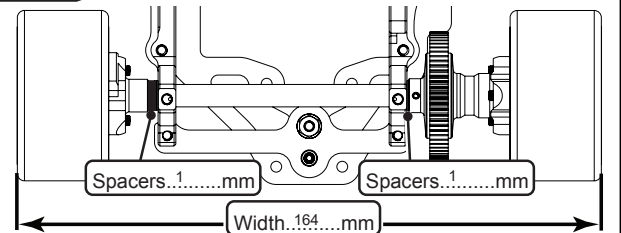
Middle



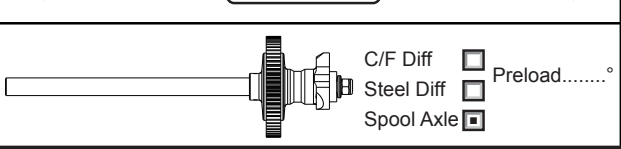
1 Dot
 2 Dot
 3 Dot

Black
 Silver - Kit
 Gold
 Nickel
 Red Dot
 Black Ultra

Rear



Black
 Silver
 Gold
 Nickel
 Red Dot - Kit
 Black Ultra



000 920 090 920 001 921 091 921
 175 150 125 100 075 050 025 000