

DRIVER <i>Tim Boundy</i>	CLASS <i>TCR FWD</i>	COMPOSITION	TRACK TEMP
TRACK <i>ILT Stadium Southland</i>	RESULT Q <i>1</i> F <i>1</i>	LAYOUT	AIR TEMP <i>25 C</i>
EVENT <i>NZ Nationals</i>	BEST LAP <i>15.995</i>	SURFACE <i>Rebound Ace</i>	COMMENTS <i>Indoor tennis court surface</i>
DATE <i>2/2/2025</i>	BEST RUN <i>19</i> LAPS <i>5:14.868</i>	TRACTION <i>Medium</i>	

TRANSMISSION

FRONT DIFF OIL *200* cst

SPUR *78* PINION *49* FDR *3.02*

SHOCKS

FRONT	SPRING	REAR
<i>2.2</i>	<i>2.6</i>	
<i>AE 30</i> cst <input type="checkbox"/> wt <input checked="" type="checkbox"/>	<i>OIL AE 32.5</i> cst <input type="checkbox"/> wt <input checked="" type="checkbox"/>	
<input type="checkbox"/> Kit	<input type="checkbox"/> PISTON Kit	<input type="checkbox"/> MACHINED
<input checked="" type="checkbox"/> HOLE IN CAP <i>2</i> mm	<input type="checkbox"/> REBOUND <i>2</i> mm	<input checked="" type="checkbox"/> HOLE IN CAP
<input type="checkbox"/> PROGRESSIVE	<input checked="" type="checkbox"/> BODY	<input type="checkbox"/> PROGRESSIVE
<input checked="" type="checkbox"/> LINEAR	<input checked="" type="checkbox"/> LINEAR	
<i>7.5</i> mm	<i>LENGTH 8.5</i> mm	

TIRES

FRONT TIRES *Rush 24*

REAR TIRES *Rush 24*

ADDITIVE *No*

ADDITIVE TIME

Fr	min/Rr	min
<i>20</i>	<i>20</i>	

WARMER TIME

Fr	deg/Rr	deg
<i>40</i>	<i>55</i>	

WARMER TEMP

BODY

TYPE *YRS*

WEIGHT *0.7*

WING *YRS*

POSITION *56* mm

HEIGHT *19* mm

ELECTRONICS

SERVO *SRT 615S*

ESC *Hobbywing Justock G3S*

MOTOR *Justock 17.5T G2.1*

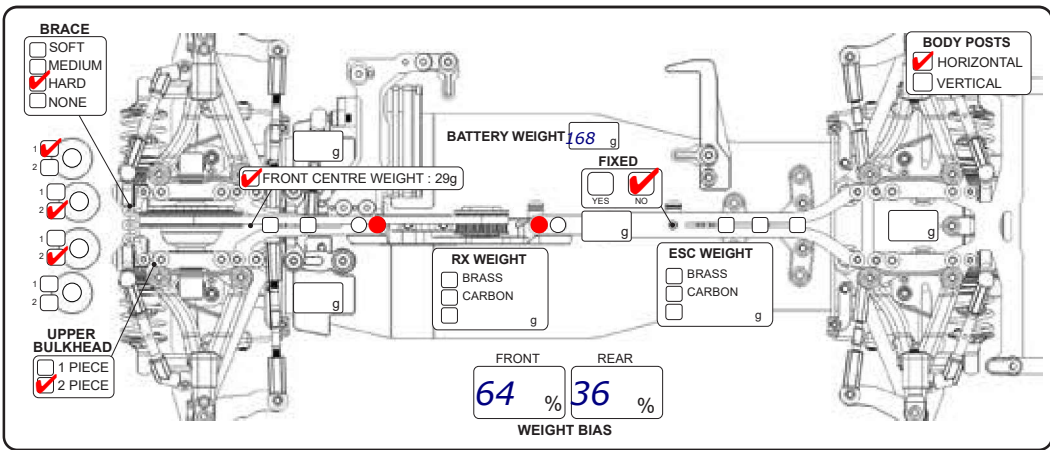
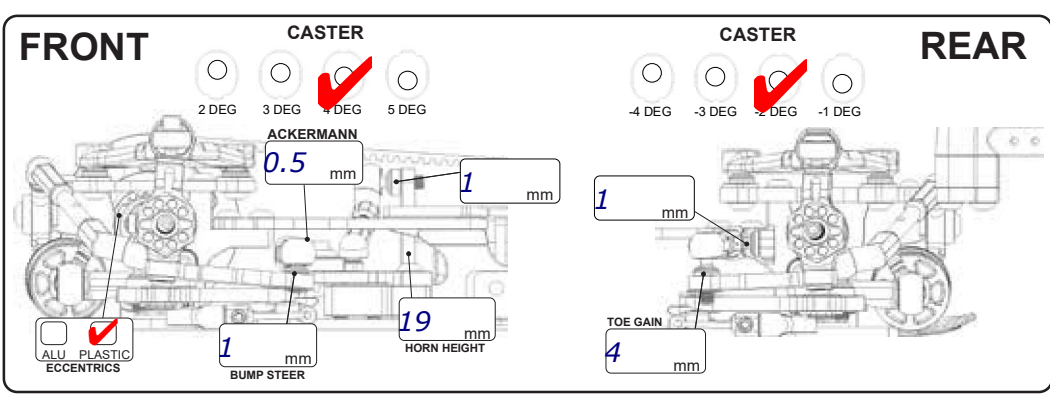
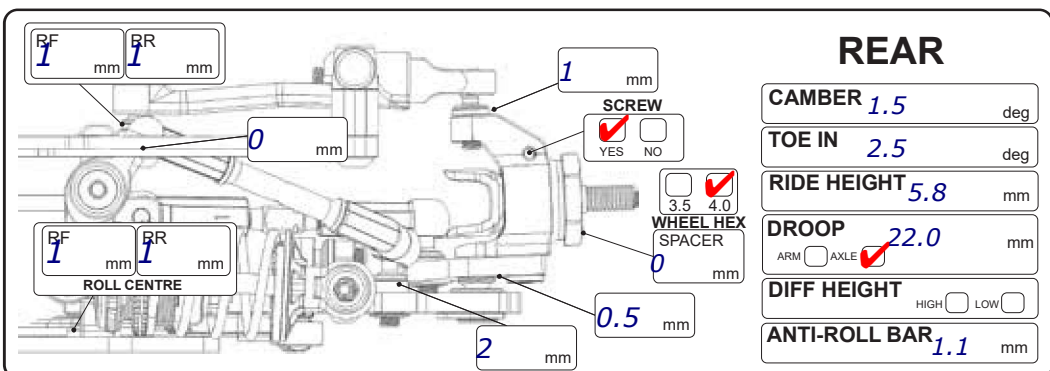
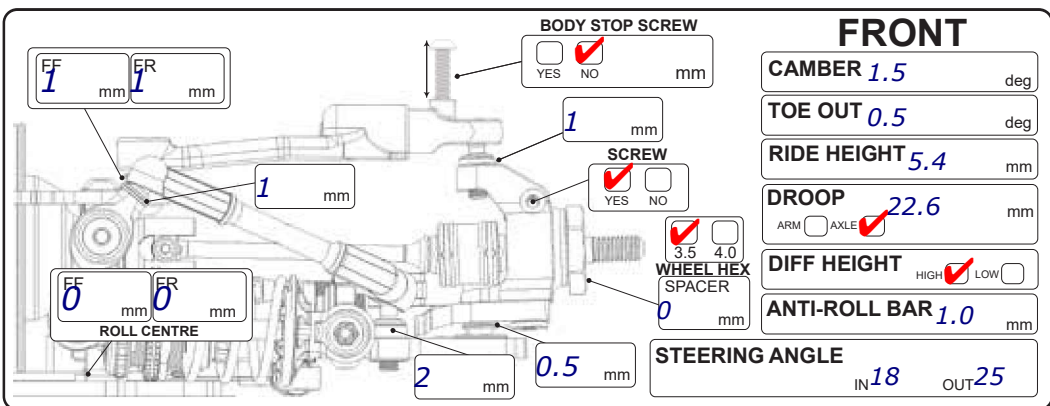
BATTERY *Zombie SendIt 4700*

NOTES

Rear upper arms reversed for shorter wheelbase

5024-F weight in front bumper

4030 ball end on front shock rockers for more length



FRONT	REAR	TOPDECK	CHASSIS
MOTORMOUNT		<input checked="" type="checkbox"/> STD CARBON (2.2mm)	<input checked="" type="checkbox"/> STD CARBON (2.2mm)
SPUR		<input type="checkbox"/> OTHER	<input type="checkbox"/> HARD CARBON (2.2mm)
			<input type="checkbox"/> OTHER