



# REMAKER SETUP SHEET

DRIVER <i>Tim Boundy</i>	CLASS <i>ISTC 13.5T</i>	COMPOSITION <i>Asphalt</i>	TRACK TEMP
TRACK <i>STMCC</i>	RESULT Q <i>1</i> F <i>1</i>	LAYOUT <i>Mixed</i>	AIR TEMP
EVENT <i>TAS Titles</i>	BEST LAP	SURFACE <i>Boral</i>	COMMENTS
DATE <i>13-15 March 2026</i>	BEST RUN	LAPS	TRACTION <i>Low-Med</i>

### TRANSMISSION

FRONT SPOOL <input checked="" type="checkbox"/>	DIFF OIL <i>5k AE</i>	REAR
DIFF	OIL	
SPUR <i>94</i>	PINION <i>41</i>	FDR <i>4.36</i>

### SHOCKS

FRONT <i>2.1</i>	SPRING <i>2.7</i>	REAR
<i>30 AE</i>	OIL <i>32.5 AE</i>	
Kit	PISTON Kit	
REBOUND <i>Kit</i>		
BODY <i>Linear</i>		
LENGTH <i>7.6 mm</i>		REAR <i>8.5 mm</i>

### TIRES

TIRES *Volante V9XE 36*

ADDITIVE *ATS*

ADDITIVE TIME	Fr <i>10+</i>	Rr <i>10+</i>
WARMER TIME	Fr <i>10+</i>	Rr <i>10+</i>
WARMER TEMP	Fr <i>65 deg/Rr</i>	<i>65 deg</i>

### BODY

TYPE *Wolverine*

WEIGHT *0.5*

WING *Wolverine*

POSITION *60 mm*

HEIGHT *mm*

### ELECTRONICS

SERVO *SRT CH6012*

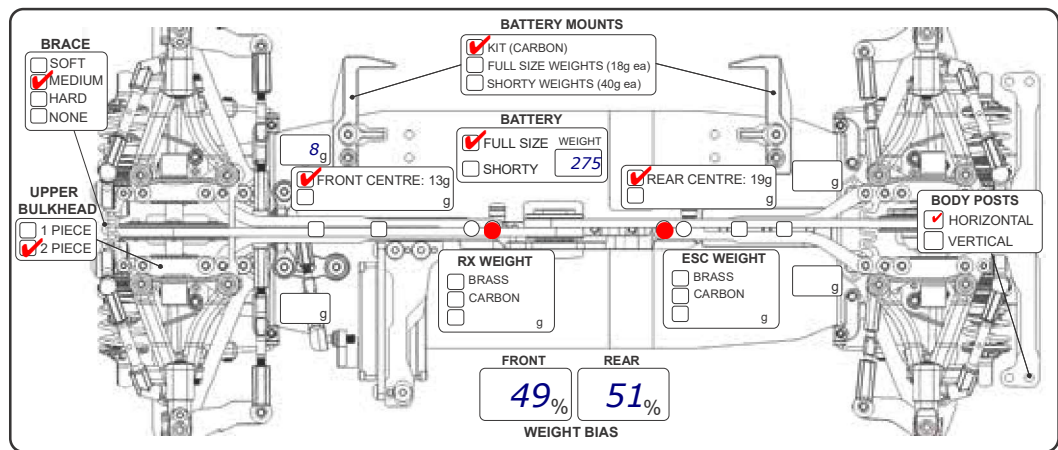
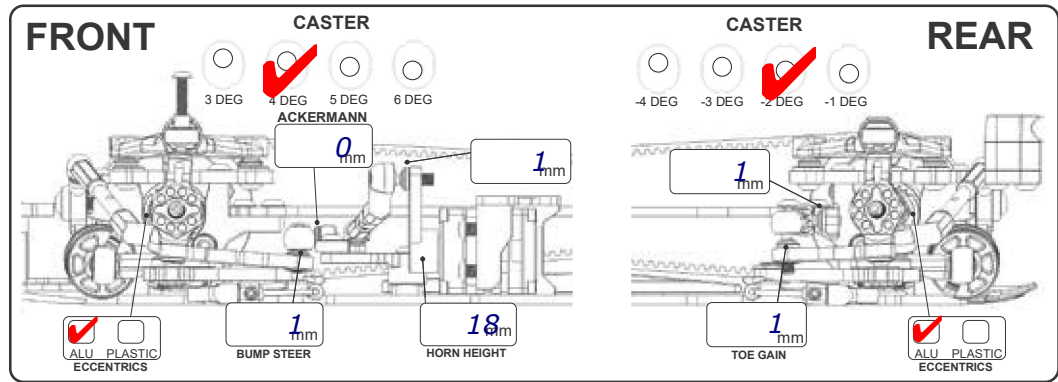
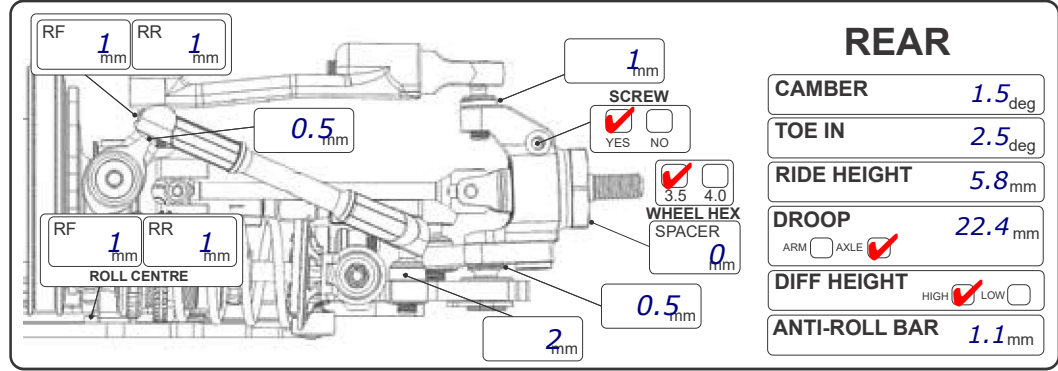
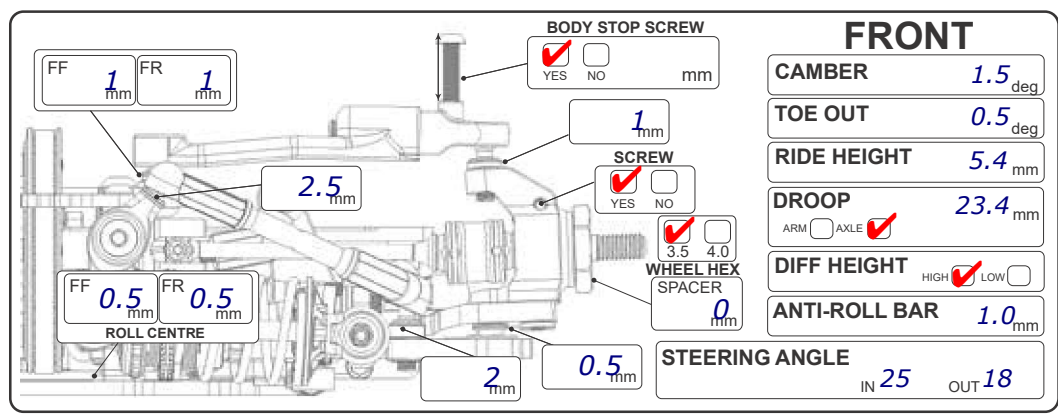
ESC *Hobbywing G2S*

MOTOR *Hobbywing G4R*

BATTERY *EAM 7000*

### NOTES

-2 front wheelbase set  
 2028 ball studs on front shock rockers  
 Low friction belts  
 V2 front bulkheads



FRONT	MOTORMOUNT	REAR	TOPDECK	CHASSIS
FRONT CENTRE WEIGHT SHIM <i>0.5 mm</i>		REAR CENTRE WEIGHT SHIM <i>0.5 mm</i>	<input checked="" type="checkbox"/> STD CARBON (2.2mm)	<input checked="" type="checkbox"/> HARD CARBON (2.2mm)
			<input type="checkbox"/> OTHER	<input type="checkbox"/> ALUMINIUM (2.0mm)
				<input type="checkbox"/> OTHER