



REMAKER SETUP SHEET

DRIVER	<input type="text"/>	CLASS	<input type="text"/>	COMPOSITION	<input type="text"/>	TRACK TEMP	<input type="text"/>		
TRACK	<input type="text"/>	RESULT Q	<input type="text"/>	F	<input type="text"/>	LAYOUT	<input type="text"/>	AIR TEMP	<input type="text"/>
EVENT	<input type="text"/>	BEST LAP	<input type="text"/>	SURFACE	<input type="text"/>	COMMENTS			
DATE	<input type="text"/>	BEST RUN	<input type="text"/>	LAPS	<input type="text"/>	TRACTION			<input type="text"/>

TRANSMISSION

FRONT REAR
 SPOOL DIFF OIL cst
 DIFF
 OIL cst

SPUR PINION FDR

SHOCKS

FRONT REAR

SPRING
 cst OIL wt

PISTON
 MACHINED HOLE IN CAP

REBOUND
 mm

BODY
 PROGRESSIVE LINEAR

LENGTH
 mm

TIRES

TIRES

ADDITIVE

ADDITIVE TIME
 Fr min/Rr min

WARMER TIME
 Fr min/Rr min

WARMER TEMP
 Fr deg/Rr deg

BODY

TYPE

WEIGHT

WING

POSITION WINDSCREEN TO FRONT POST HOLE mm HEIGHT GROUND TO TOP OF REAR WING mm

ELECTRONICS

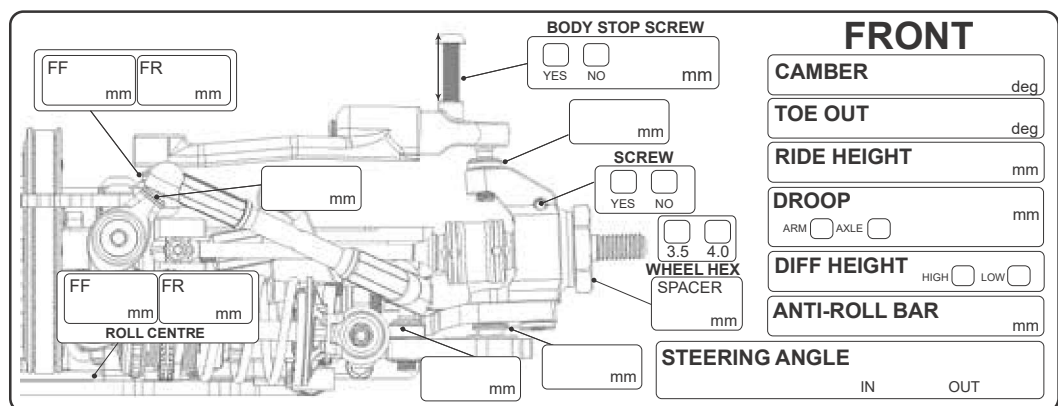
SERVO

ESC

MOTOR

BATTERY

NOTES



FRONT

CAMBER deg

TOE OUT deg

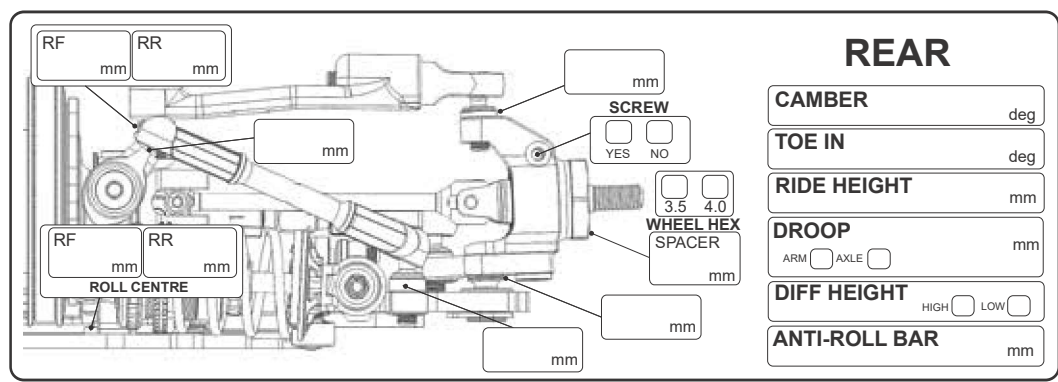
RIDE HEIGHT mm

DROOP mm
 ARM AXLE

DIFF HEIGHT HIGH LOW

ANTI-ROLL BAR mm

STEERING ANGLE
 IN OUT



REAR

CAMBER deg

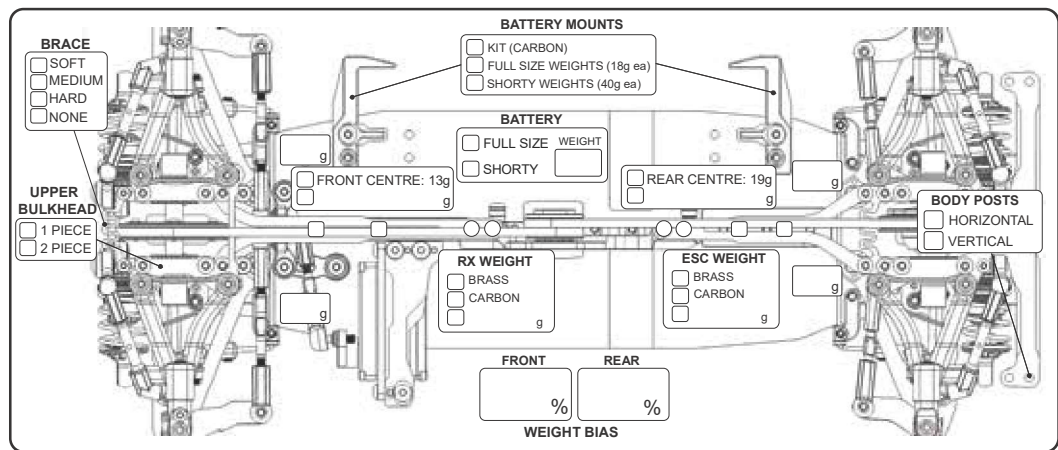
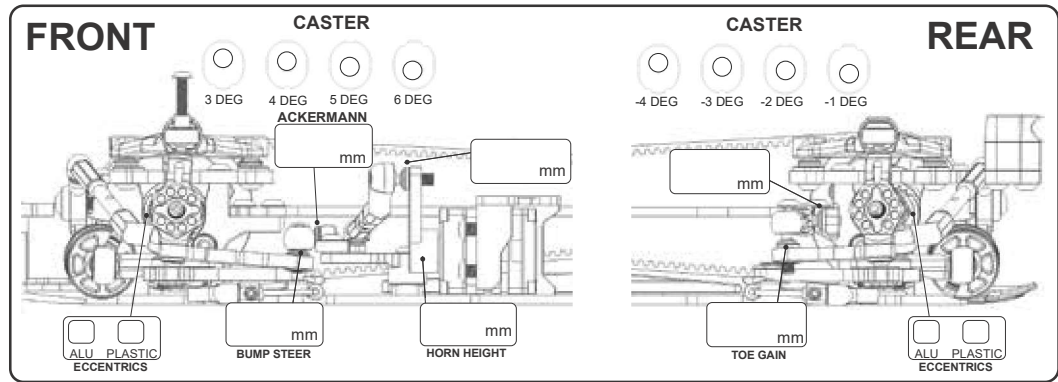
TOE IN deg

RIDE HEIGHT mm

DROOP mm
 ARM AXLE

DIFF HEIGHT HIGH LOW

ANTI-ROLL BAR mm



FRONT REAR TOPDECK CHASSIS

MOTORMOUNT

FRONT CENTRE WEIGHT SHIM mm

REAR CENTRE WEIGHT SHIM mm

STD CARBON (2.2mm) OTHER

STD CARBON (2.2mm) HARD CARBON (2.2mm) ALUMINIUM (2.0mm) OTHER